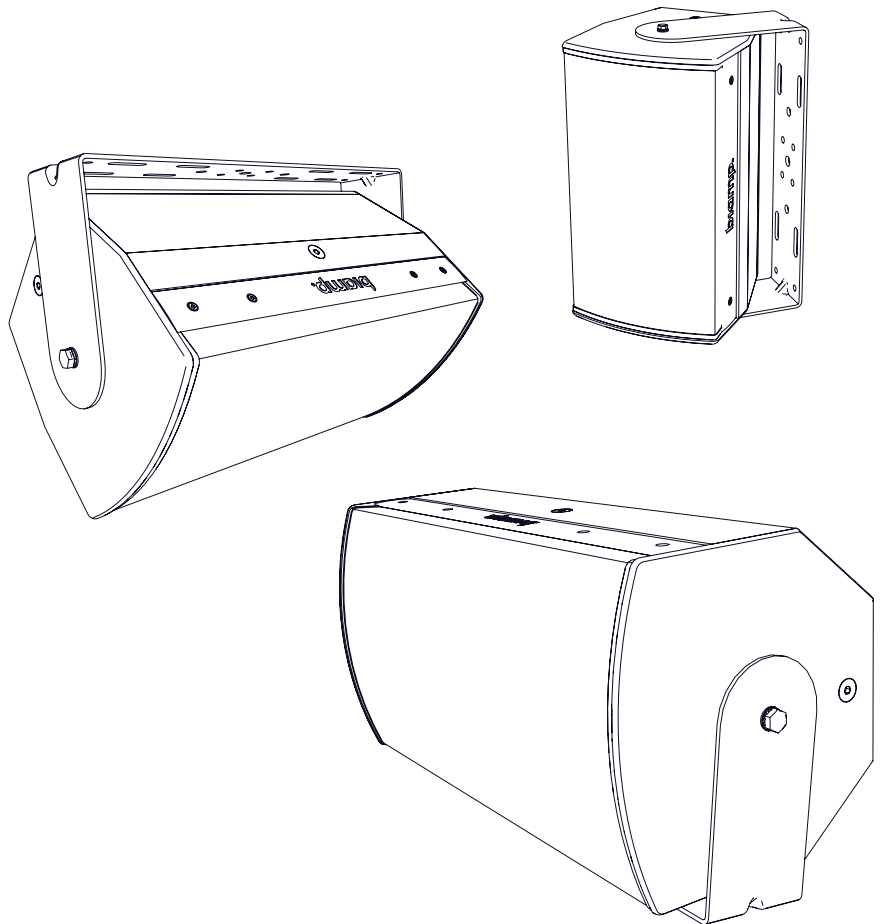


# Community I SERIES

BalancePoint™ Flyware  
For IC6 Compact loudspeakers

IUB1062  
IUB1062WR  
IUB1082  
IUB1082WR  
IUB2082  
IUB2082WR



U-Brackets for IC6-1062, IC6-1082, IC6-2082

# IMPORTANT SAFETY INSTRUCTIONS

Always follow these basic safety precautions when using or installing I SERIES loudspeakers and accessories:

- Read these instructions prior to assembly.
- Keep these instructions for reference.
- Heed all warnings.
- Follow all instructions, particularly those pertaining to rigging, mounting, hanging and electrical connections.
- Do not use this apparatus near water.
- Clean only with dry cloth.
- Do not block any ventilation openings. Install in accordance with the manufacturer's instruction.
- Do not install near any heat sources such as radiators, heat registers, stoves, light fixtures, or other apparatus (including amplifiers) that produce heat.
- Only use attachments and accessories that are specified and approved by the manufacturer.

Refer all servicing to qualified service personnel. Servicing is required when the apparatus has been damaged in any way, such as liquid has been spilled or objects have fallen into the apparatus, the apparatus has been exposed to rain or moisture, does not operate normally, or has been dropped.

The terms CAUTION, WARNING, and DANGER may be used in this manual to alert the reader to important safety considerations. If you have any questions or do not understand the meaning of these terms, do not proceed with installation. Contact your local dealer, distributor, or call Biamp directly for assistance. These terms are defined as:



**CAUTION:** describes an operating condition or user action that may expose the equipment or user to potential damage or danger.



**WARNING:** describes an operating condition or user action that will likely cause damage to the equipment or injury to the user or to others in the vicinity.



**DANGER:** describes an operating condition or user action that will immediately damage the equipment and/or be extremely dangerous or life threatening to the user or to others in the vicinity.

These installation instructions are for use by qualified personnel only. To reduce the risk of fire or electric shock do not perform any servicing other than that contained in the operating instructions unless you are qualified to do so.

# UNPACKING / INSPECTION

Community I SERIES loudspeakers are engineered and manufactured to be rugged and they are carefully packed in sturdy cartons. However, it is recommended to thoroughly inspect each unit after it has been removed from the packaging, as damage could occur during shipping.

Please note that once the shipment has left your dealer or the Biamp factory, the responsibility for damage is always borne by the freight company. If damage has occurred during shipping, you must file a claim directly with the freight company. It's very important to contact the freight company as soon as possible after receiving your shipment, as most freight companies have a short time limit within which they will investigate claims. Make sure to save the carton and the packing material, as most claims will be denied if these materials are not retained. Your Biamp dealer and the factory will try to help in any way they can, but it is the responsibility of the party receiving the shipment to file the damage claim.

It is always a good idea to retain the carton and packing materials, if possible, in the event that the unit may need to be returned to your dealer or distributor for repair in the future.



**CAUTION:** Installation of I SERIES loudspeakers should only be performed by trained and qualified personnel. It is strongly recommended that a licensed and certified professional structural engineer approve the mounting. Severe injury and/or loss of life may occur if this product is improperly installed.

# RIGGING SAFETY / IMPORTANT NOTES

There are three primary areas of responsibility for rigging loudspeakers. The first is the building structure. Always consult with the building architect or structural engineer to assure the ability of the structure to support the loudspeaker system. The second area of responsibility is the loudspeaker itself. Biamp certifies its loudspeaker systems and rigging accessories for suspension when they are properly installed according to our published guidelines. The third area of responsibility is everything between the loudspeaker and the building structure and the actual process of installation. The installing contractor assumes this responsibility. Loudspeaker rigging should be performed only by certified rigging professionals using certified rigging hardware chosen for the specific application. Prior to installation, the contractor should present a rigging plan, with drawing and detailed parts list, to a licensed structural engineer (P.E.) or architect for written approval.



**IMPORTANT:** I SERIES loudspeakers are designed and intended to be mounted to differing building surfaces using a variety of rigging hardware, means and methods. Installation of loudspeakers should only be performed by trained and qualified personnel. All electrical connections must conform to applicable city, county, state, and national (NEC) electrical codes.



**DANGER:** All rigging fittings must be fully tightened and secured. Any missing fasteners or parts will compromise the structural integrity of the enclosure and constitute a safety hazard. Over-tightening (crushing the wood/) should be avoided as well. Do not suspend the loudspeaker unless all fasteners are securely in place!



**IMPORTANT:** The flat head bolts that come installed in each enclosure must remain in place or be replaced by a threaded fastener from an array bracket. The bolts attach to internal metal brackets that are critical to the structural integrity and rated Safe Working Load (SWL) of each point and each array assembly. Failure to include a fastener in every location could lead to serious injury, or even death.



**WARNING:** I SERIES rigging fittings are rated at Working Load Limits (WLL) with a 10:1 safety margin. All mounting provisions on the IC6 cabinets meet or exceed the 10:1 safety margin to support the cabinet when used with the specified mounting brackets, either from Biamp or third party vendors. Failure to heed this warning could result in injury or death!

# U-BRACKETS

**IUB1062** - U-Bracket for IC6-1062

**IUB1082** - U-Bracket for IC6-1082

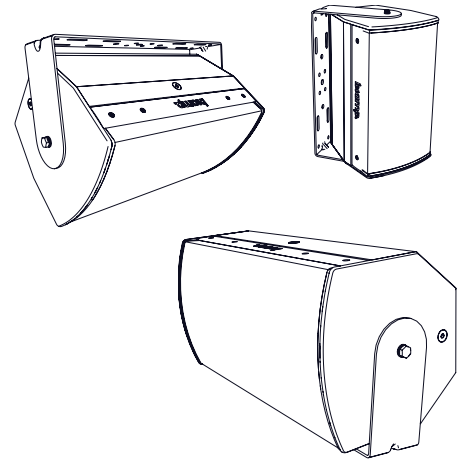
**IUB2082** - U-Bracket for IC6-2082

**APPLICATION:** Suspend and aim single loudspeakers from ceilings, walls, trusses, or use with BalancePoint™ Flyware rails and frames.

**Before assembly:** Adhere the rubber washers to the inside of the yoke (aligned with cabinet mounting point - see arrow in Figure 1).

**Notes:**

1. Since the primary orientation of the IC6-1082 is vertical, it is suggested that the horn be rotated to maintain its stated coverage pattern if mounted horizontally.
2. The U-Bracket can be attached to the building structure and then the loudspeaker can be installed later. It is also compatible with BalancePoint™ Flyware rails and frames as well as third party stand adapter brackets (See reference table page 7).
3. Order IUB1062 for IC6-1062, IUB1082 for IC6-1082, or IUB2082 for IC6-2082. There are WR (weather-resistant) versions of each if needed for the WR or WT Compact I SERIES models.



**1**

**Parts:**



UB: U-Bracket (*IUB1062 shown*)

**Hardware:**

**IUB1062**

Qty	Code	Description
2	HH	6 x 35 mm Hex Hd Bolts
2	HW	6 mm Flat Washers
2	HL	6 mm Lock Washers
2	HW-R	6mm ID x 50mm OD Rubber Washer

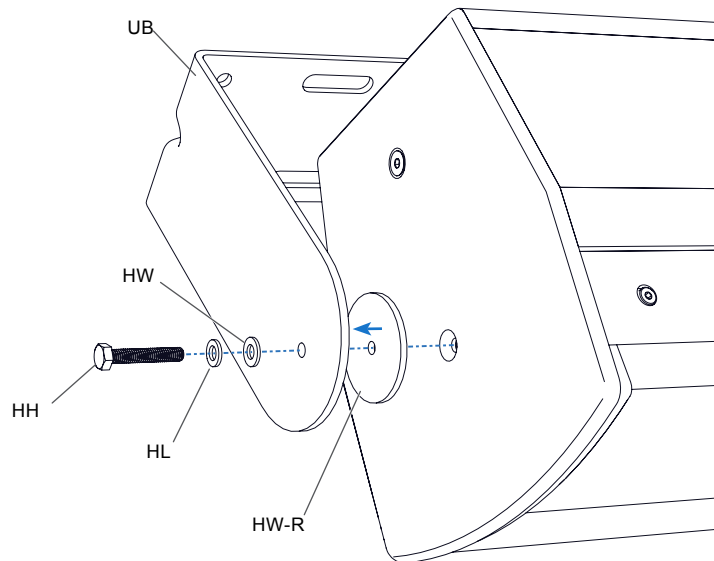
**IUB1082 / IUB2082:**

Qty	Code	Description
2	HH	10 x 40 mm Hex Hd Bolts
2	HW	10 mm Flat Washers
2	HL	10 mm Lock Washers
2	HW-R	8mm ID x 40mm OD Rubber Washer

**Kit Weights:**

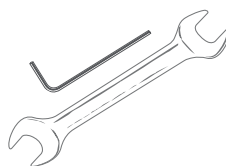
- IUB1062: 4.6 lb (2.1 kg)
- IUB1062WR: 4.4 lb (2.0 kg)
- IUB1082: 6.3 lb (2.9 kg)
- IUB1082WR: 6.0 lb (2.7 kg)
- IUB2082: 6.8 lb (3.1 kg)
- IUB2082WR: 6.5 lb (2.9 kg)

**Note:** Weather-resistant (WR) U-Bracket kits contain stainless steel U-Brackets and hardware



**Figure 1.** Remove middle cabinet bolts and attach yoke to cabinet

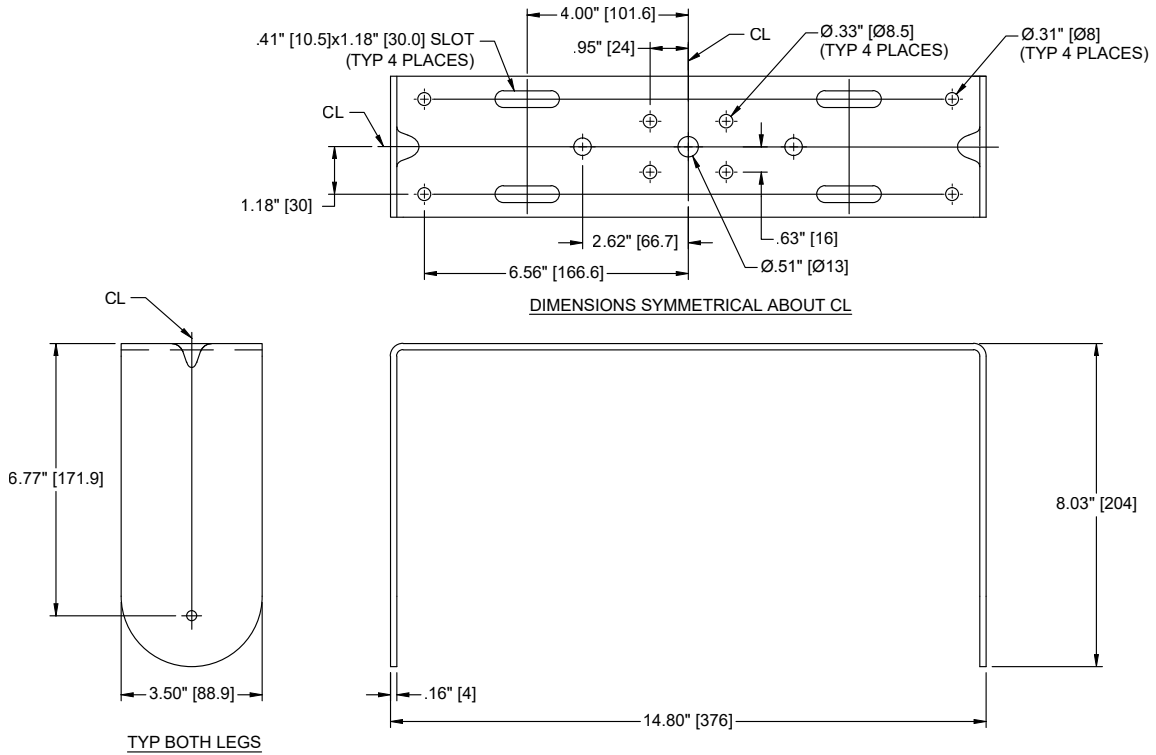
**2**



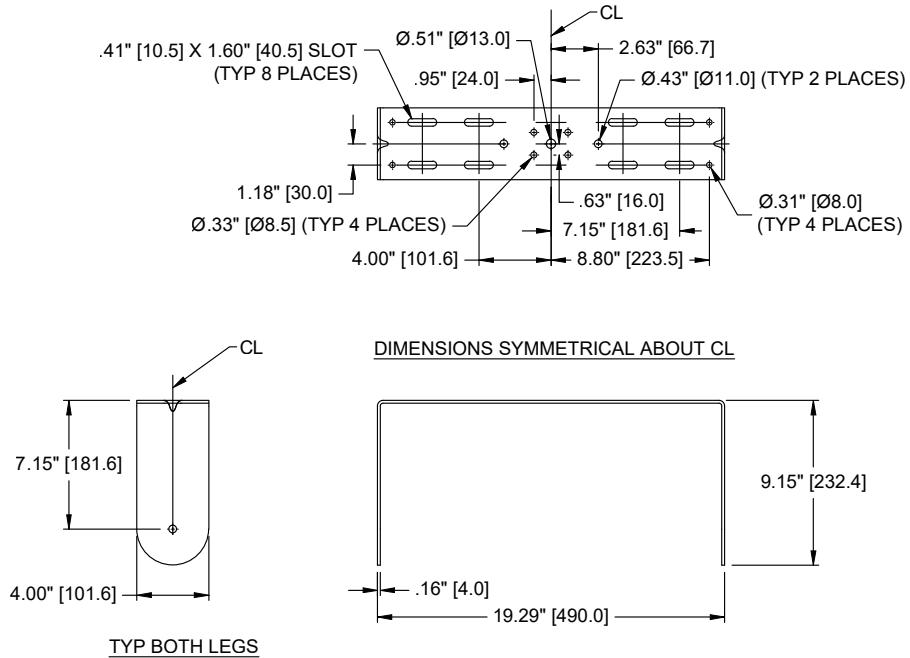
**Figure 2.** Adjust angle and fully tighten all connections

# TECHNICAL DRAWINGS

## IUB1062 - U-BRACKET FOR IC6-1062 MODELS



## IUB1082 - U-BRACKET FOR IC6-1082 MODELS





## HELPFUL INSTALLATION TIPS

- The U-Brackets and Vertical Yokes have hole patterns compatible with BalancePoint™ Flyware rails and frames, and are also compatible with many third party manufacturers' speaker stand adapter plates. Refer to our reference table or manufacturer's website for details. Refer to the cross reference chart (next page) and manufacturer's website for details.
- Contact our Loudspeaker Support Group for additional guidance by email: [support@biamp.com](mailto:support@biamp.com).

## GENERAL ASSEMBLY INFORMATION

The I SERIES Compact U-Brackets and Vertical Yokes can be used in conjunction with the larger IP or IS (I SERIES Point Source or Subwoofers) in many of the same applications. They can be mounted to BalancePoint™ Flyware rails and isometric frames. Refer to the Center Detail on the previous page for mounting point descriptions.

**Hardware and Parts:** There is a key at the beginning of each instruction that shows the parts, their quantity and abbreviation. We also use a shortened code for the hardware that offers an easy reference to the type, diameter and approximate length.

ex: HW1 = Hardware Washer 10mm;  
 HH1-3 = Hardware, Hex head bolt, 10 x 35mm



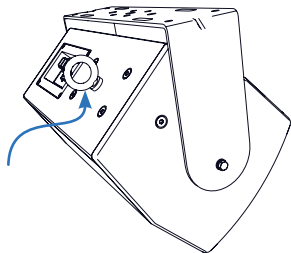
**IMPORTANT:** The flat head bolts that come installed in each enclosure must remain in place or be replaced by a threaded fastener from an array bracket. The bolts attach to internal metal brackets that are critical to the structural integrity and rated Safe Working Load (SWL) of each point and each array assembly. Failure to include a fastener in every location could lead to serious injury, or even death.

### Tools Needed for assembly:

- Metric socket and ratchet set
- Metric wrench set
- Metric hex key set



The loudspeaker enclosure must have fasteners in all threaded holes



Typical placement for safety cable and hardware (eyebolt not included)

### Safety Cables



**IMPORTANT:** Attach a safety cable to one of the unused mounting points on the loudspeaker (and/or the bracket assembly). Safety cables must be secured to a suitable load-bearing point separate from the loudspeaker mounting point, with as little slack as possible, oriented to minimize dynamic swinging of the load, so as not to develop undue shock or kinetic force if the loudspeaker mount were to fail. Safety cables and hardware are not included. Please consult a structural engineer for the appropriate cables, hardware, and location(s) for the load and application.

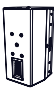



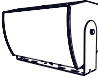
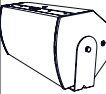

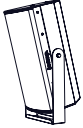
## LOUDSPEAKER WEIGHTS

Compact	Indoor [lbs (kg)] Low Impedance	Indoor [lbs (kg)] Transformer	WR [lbs (kg)] Weather-Resistant	WT [lbs (kg)] WR Transformer
IC6-1062	16.0 (7.3)	20.0 (9.1)	12.6 (5.7)	16.6 (7.5)
IC6-1082	25.0 (11.3)	29.0(13.2)	19.2(8.7)	23.2 (10.5)
IC6-2082	31.0 (14.1)	35.0 (15.9)	23.9 (10.8)	27.9 (12.7)

## THIRD PARTY MOUNTING BRACKET REFERENCE

*I SERIES Compact enclosures and their accessories (U-Brackets, Vertical Yokes) are compatible with several universal mounting options from other manufacturers.*

*Below is a quick reference table to choose from.*

		Model	WLL lbs (kg)	IC6-1062	IC6-1082	IC6-2082	IUB1062	IUB1082	IUB2082	IVY1082	IVY2082	
												
Ceiling Mount	Adaptive Technologies (MultiMount)	MM-3RDX-18	60 (27.2)	x	x	x						
		MM-3RDX-120	120 (54.4)		x	x						
		MM-018	60 (27.2)		x	x						
	K&M	24496*	55 (24.9)	x	x	x						
Wall Mount / Pan-Tilt	Adaptive Technologies (MultiMount)	MM-015	25 (11.3)	x								
		MM-016-BT	25 (11.3)	x								
		MM-022-BT	60 (27.2)	x	x	x						
		MM-024-BT	60 (27.2)	x	x	x						
		MM-060	60 (27.2)	x	x	x						
		MM-120	120 (54.4)	x	x	x						
		WM-0-15-60	60 (27.2)	x	x	x						
	K&M	24471*	33 (15.0)	x	x							
		24481*	55 (24.9)	x	x	x						
Speaker Stand Adapter	Ultimate Support	BMB-200K	100 (45.4)				x	x	x	x	x	
	On-Stage Stands	EB-9760B	NR				x	x	x	x	x	
	K&M	195/8	NR				x	x	x	x	x	
		19780*	33 (15.0)	x	x	x						
		* Must use with 24352 or 24354 Adapter Plate										

