

# DX-IC10SUB

10-INCH HIGH OUTPUT  
CEILING MOUNT SUBWOOFER



## FEATURES

- High intelligibility with exceptional uniform coverage
- Fast installation with SpringLock™ mounting clamps
- Consistent, wide dispersion up to 16 kHz
- Attractive edgeless magnetic grille design
- Conduit knock-outs on the input cover meet plenum air space handling requirements

## TECHNICAL SPECIFICATIONS<sup>1</sup>

Operating Mode	Passive with DSP		
Operating Environment	Indoor		
Operating Range (-10dB) <sup>2</sup>	42 Hz to 200 Hz		
Nominal Beamwidth (H x V)	omnidirectional		
Transducers	LF 1 x 10" (254 mm)		
Sensitivity <sup>3</sup>	93 dB (2.83 V)	93 dB (1W at rated impedance 8 Ω)	
Nominal Continuous Power Handling <sup>4</sup>	Passive	40V (200W @ 8Ω)	
Nominal Maximum SPL <sup>5</sup>	Passive	Peak 122 dB	Continuous 116 dB
Autoformer	70V: 200 W, 100 W, 50 W, 25 W; 100V: 200 W, 100 W, 50 W		
Recommended Amplifiers	Passive	200 W - 400W @ 8Ω, (40V - 57 V)	
Required Accessory	41 Hz Electronic high pass filter		

## APPLICATIONS

Large Conference Rooms · Houses of Worship  
Theaters · Sports Facilities · Health Clubs  
Convention Centers · Auditoriums  
Malls · Airports

## DESCRIPTION

The Desono DX-IC10SUB ceiling mount subwoofer provides powerful, high-impact bass response intended to augment any combination of Desono DX full-range models. By including a complement of DX-IC10SUBs into a distributed system, musical results that equal or exceed that of much larger and more costly surface-mount systems can readily be achieved. The DX-IC10SUB's clean, clear bass response provides a compelling attraction for shoppers in a retail environment, and a memorable experience for bar, pub and restaurant patrons.

Dependent on program content and the size of the full-range DX models, the ratio of DX-IC10SUBs to full-range models may vary from as few as 1:6 to as many as 1:1. For example, one DX-IC10SUB will provide strong supporting bass response for six DX-IC4s, while four DX-IC10SUBs will better complement six of the more powerful DX-IC8s or DX-IC10s.

Patent-pending SpringLock™ clamps allow single-handed placement to speed installation and reduce labor time. The SpringLock spring-loaded clamps support the back can on the included tile rails and snap-on C-ring, so that the installer no longer needs to hold the can against the tile while tightening the clamps.

The front-face wattage selector switch enables quick adjustment of tap levels, while the high-power internal autoformer permits full power output with 70V or 100V lines. A variety of installation accessories are available to accommodate different ceiling materials.

## PHYSICAL

Input Connection	4-position Euroblock connector
Controls	Front-face wattage / low impedance selector switch
Mounting Provisions	4 SpringLock mounting clamps with 3-inch grip range
Certifications	ETL listed to comply with UL1480, UL2043 and CSA62368-1 Suitable for use in air handling spaces per NFPA 70 and NFPA 90
Dimensions W x D	394 mm x 263 mm (15.51" x 10.37")
Weight	TBD
Finish	Refer to the Technical Drawing (page 2)
Accessories (included)	C-Ring supporting plate, tile support bridge rails, grille, paint mask, cut-out template, flat screwdriver
Model	<b>DX-IC10SUB-W</b> - loudspeaker with White grille

## OPTIONS

Accessories	New Construction Brackets (SPA-NC600) Black Grilles (SPA-GRB600) High Humidity Grilles (SPA-GHH600) 48" Tile Rails (SPA-RAIL48) Plenum-rated Dual-RJ45 Adapter (SPA-CCA200)
-------------	---

*Biamp strives to improve its products on a continual basis. Specifications are therefore subject to change without notice.*

# DX-IC10SUB

10-INCH HIGH OUTPUT  
CEILING MOUNT SUBWOOFER

## TECHNICAL DRAWING / DIMENSIONS / FINISH

**W (bezel diameter) x D**  
394 mm x 263 mm (15.51" x 10.37")

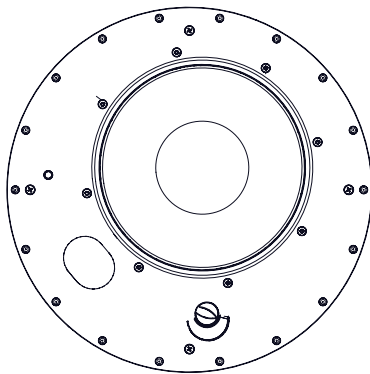
**Cutout Diameter**  
360 mm (14.17")

**Unit Weight**  
TBD

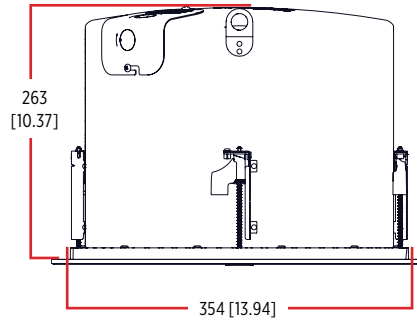
**Shipping Weight**  
TBD (shipped in pairs)

**Grille:**  
Powder-coated perforated steel backed with color-matched woven fabric with safety line. White finish.

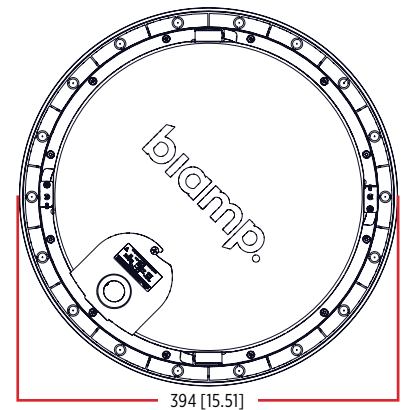
**Enclosure / Finish**  
Back Can: Black, Matte finish Steel  
Face: Reflex loaded UL 94V-0 rated ABS plastic, paintable Black finish.



Front (no grille)



Side



Top

## NOTES

- 1. TECHNICAL SPECIFICATIONS** All measurements are taken indoor using a time-windowed and processed signal to eliminate room effects, approximating an anechoic environment at a distance of at least 6.0 m. All acoustic specifications are rounded to the nearest whole number. An external DSP using settings provided by Biamp is required to achieve the specified performance; further performance gains can be realized using the FIR loudspeaker optimization presets available in Biamp's Amplified Loudspeaker Controllers (ALCs).
- 2. OPERATING RANGE** The frequency range over which the on-axis processed response remains within 10 dB of the average SPL.
- 3. SENSITIVITY** The broadband SPL of the loudspeaker when pink noise is applied (band limited to the loudspeaker's Operating Range) at an input voltage of 2.83 V, in accordance with IEC 60268-5. Also listed for a voltage that would produce 1 watt into the nominal impedance. Measured in whole space with no external processing applied, except where indicated.
- 4. CONTINUOUS POWER HANDLING** The maximum continuous input voltage at the stated nominal impedance that the system can withstand, without damage, for a period of 2 hours using an IEC 60268-5 defined spectrum with recommended signal processing and protection filters.
- 5. NOMINAL MAXIMUM SPL** The SPL produced when an IEC 60268-5 signal is applied to the equalized loudspeaker system, at a level which drives at least one subsection to its rated continuous input voltage limit, referenced to a distance of 1 meter. The peak SPL represents the 2:1 (6 dB) crest factor of the IEC 60268-5 test signal.