

# DATA SHEET

## DESONO™ IC6

### IN-CEILING LOUDSPEAKER



The desono™ IC6 is a two-way passive coaxial loudspeaker intended for full range music reproduction in distributed audio applications. The IC6 utilizes a 6-position switchable transformer ranging from 1.875W to 60W with low-impedance bypass for constant-voltage operation, making it an excellent choice for large areas of BGM. Designed with the installer in mind, the IC6 speaker supports audio connections via either standard category cable or traditional speaker cable. They can be blind-mounted from below the ceiling, and feature a magnetic grill for easy toolless installation and removal. The grill plates are available in white, black, or red, or can be painted to match the room decor. The IC6 also directly integrates with the Tesira® AMP-450BP — a four-channel “backpack” PoE+ amplifier — which reduces wiring requirements and installation time. The desono IC6 loudspeakers are suitable for use in outdoor locations such as patios or concourses, and an ideal choice for both indoor and outdoor distributed audio applications that demand superior speech intelligibility and full range music reproduction.

#### FEATURES

- 60W continuous output with a peak power of 240W
- Low profile passive loudspeaker, less than 6 inches (151mm) total depth
- 6-ohm nominal impedance
- 130° coverage angle
- 6-position constant voltage tap (1.875W, 3.75W, 7.5W, 15W, 30W, 60W) with low impedance bypass
- Supports both standard category cables and traditional speaker wiring for audio connections
- Directly integrates with the AMP-450BP (PoE+ amplifier)
- Bridge-mounted 1 inch (25mm) soft dome tweeter
- 6.5 inch (165mm) polypropylene woofer mechanically isolated from the high frequency driver
- Integrated flex conduit knockouts
- Evaluated to the requirements of UL 1480a and UL 2043 and is suitable for use in air handling spaces
- CE marked, UL listed, and RoHS compliant
- Suitable for indoor and outdoor use
- Covered by Biamp Systems' five-year warranty

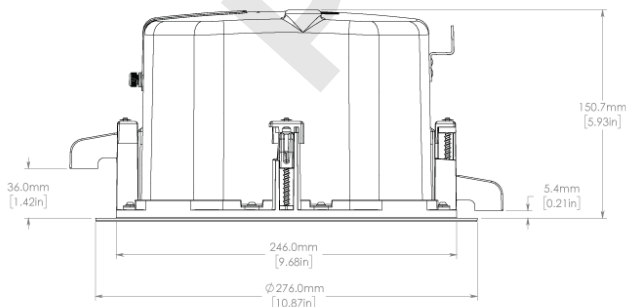
## ARCHITECTS & ENGINEERS SPECIFICATIONS

The loudspeaker shall be a two-way, passive coaxial design intended for in-ceiling mounting. The loudspeaker shall be equipped with a 6.5 inch (165mm) polypropylene low frequency transducer (“woofer”), a 1 inch (25mm) soft dome high frequency transducer (“tweeter”), and a passive crossover/protection circuit network. The high frequency transducer shall be physically separate from the low frequency transducer and shall be bridge-mounted above the low frequency transducer. The loudspeaker shall have a nominal impedance of 6 ohms. The loudspeaker shall have a coverage angle of 130° from 1kHz to 6kHz. The loudspeaker enclosure shall be constructed of formed steel and UL94V-0 fire rated plastic. The loudspeaker shall include a terminal box that shall interface with conduit having an inside diameter of either 0.5 inches (13mm) or 0.875 inches (22mm). The loudspeaker shall be equipped with a four-position, 0.2 inch (5.08mm) pluggable Euroblock connector and two RJ-45 connectors for audio signal connections. The loudspeaker shall be suitable for blind-mounting from below the ceiling and shall support a magnetically-attached grill. The loudspeaker shall have an attachment point for connection via chain or wire to building structure as a secondary support point. The loudspeaker shall include mounting points for direct attachment of a Tesira® AMP-450BP amplifier. The loudspeaker shall comply with the requirements of UL Standard 1480a and UL Standard 2043. The loudspeaker shall be UL listed, CE marked, and shall be compliant with the RoHS directive. Warranty shall be seven years. The loudspeaker shall be desono™ IC6.

## DESONO IC6 SPECIFICATIONS

<b>Connectors:</b>	4-pole Euroblock connector for two pair of parallel connections [up to 16AWG]; Two RJ-45 connectors	<b>Operating Environment:</b>	Designed for Indoor/Outdoor Use
<b>Nominal Impedance:</b>	6Ω	<b>Included Accessories:</b>	C Ring Tile Bridge Paintable Metal Grill
<b>Transducers:</b>		<b>Product Dimensions:</b>	
<b>Low Frequency:</b>	6.5-inch (165mm) polypropylene cone woofer	<b>Overall Diameter:</b>	11.2 inches (284mm)
<b>High Frequency:</b>	1-inch (25 mm) plastic dome bridge-mounted tweeter	<b>Depth:</b>	5.9 inches (151mm)
		<b>Weight:</b>	7.8 lbs (3.5kg)
<b>Frequency Range (-10dB):</b>	60Hz – 20kHz	<b>Cutout Diameter:</b>	9.75 inches (248mm)
<b>Output Power Rating (3dB compression, pink noise):</b>	60W continuous; 240W peak	<b>Compliance:</b>	UL and C-UL listed (USA and Canada) CE Marked (Europe) RoHS Directive (Europe) Evaluated to the requirements of UL 1480a and UL 2043 and is suitable for use in air handling spaces
<b>Sensitivity (1W @ 1m):</b>	> 88dB SPL		
<b>Maximum SPL:</b>	TBD		
<b>Nominal Coverage Angle (1-6kHz):</b>	130°		

## DIMENSIONS



Biamp, desono, and Tesira are either trademarks or registered trademarks of Biamp Systems, LLC in the United States and other countries. Other product names referenced may be trademarks or registered marks of their respective owners and Biamp Systems is not affiliated with or sponsored by these companies.



A: 9300 S.W. Gemini Drive Beaverton, OR 97008 USA

T: +1 503.641.7287

W: www.biamp.com

BIADS-000-1906-EN-R1