



PA219

Wireless Handheld PA

User Manual



PA219 Wireless Handheld PA User Manual

Thank you for purchasing the PA219 Wireless Handheld PA.

We encourage you to visit our website to learn more about the complete line of Califone audio visual products including: Portable and multi-media player & recorders, headphones and headsets, computer peripheral equipment, visual presentation products and language learning materials.



Warranty Registration

Califone warrants this product to be free from defective material and workmanship for one year from the purchase date. Our "Product intercept" Customer Satisfaction program will replace defective parts and repair malfunctioning equipment under this warranty when the defect occurs under normal use.

Unpacking your Wireless Handheld PA219

Check carefully for damage which may have taken place during transit. Although the shipping carton & packaging materials are designed to prevent damage during shipment, you should inspect the carton for any signs of mishandling or damage immediately upon receiving your new unit. Carefully lift the unit from the carton and inspect it for any signs of damage. Save all packaging materials for possible later use.

Returning your unit for service or repairs

Should your unit require repair, first contact the dealer or Califone Service Department at: (800) 722-0500 to obtain a Return Authorization number. After receiving the RA, write it clearly on the outside of the shipping box and ship the unit to Califone prepaid. Collect shipments will be refused. Please DO NOT SHIP ANY UNIT TO THE FACTORY WITHOUT PRIOR AUTHORIZATION AND INSTRUCTIONS.

Contents

- PA219 Wireless Handheld PA
- Wireless Handheld Mic
- User Manual
- Power Adapter
- Remote Control
- Shoulder Strap

Table of Contents

Main Features.....	3
Quick Start Guide.....	4
Product Specifications.....	4
Useful Tips on Using your PA System.....	5
Parts Description and Operation Guide.....	6-7
Control Panel.....	8
Remote Control.....	9
Wireless Transmitters.....	10-11
Headset.....	12
Optional Wireless Transmitter and Headset Specifications.....	13

Main Features

The Califone range of Portable Public Address systems are the ultimate on-the-go take anywhere wireless solution.

- Fully self-contained all-in-one portable audio system.
- 40W max power output (20W RMS) through high performance AB amplification.
- Full range 5" woofer speaker.
- Sturdy injection moulded ABS impact resistant plastic body - extremely durable.
- Operate using mains power or built-in 12V 2.2Ah lithium rechargeable battery.
- Up to 5 hours of continuous use on a full battery charge.
- Wireless handheld microphone and receiver included.
- Wireless body pack transmitter with headset microphone available as an option.
- 6.35mm microphone input for optional corded microphone.
- Built-in Media player with USB and Secure Digital (SD) card playback. (USB for flashdrives up to 16GB and SD cards up to 16GB)
- Remote control for media player.
- Aux 3.5mm input for external audio device.
- Separate microphone, media player and Aux volume controls.
- Carry handle and shoulder strap for easy transportation.
- Rotary Tone and Echo reverb controls.

Visit us online at califone.com

Quick Start Guide

1. Fully charge the PA219 for 6 hours before first use.
2. Turn on the power of the PA219.
3. Install two AA batteries in the handheld wireless microphone, turn the microphone on and adjust the microphone volume using the WMIC knob on the Control Panel.
4. Use the USB port or SD card slot to play MP3 or WMA audio files by inserting a USB drive or a SD card with audio files stored and adjust the volume using the buttons labeled PREV/V- and NEXT/V+.
5. Audio sources such as smartphones, tablets, and computers can be connected to the Aux In input jack by using a cord with 3.5mm stereo plugs. Adjust the volume using the AUX VOL knob.

WARNING: Do not connect any external device to the USB slot other than USB flash memory drives. This slot is not designed to charge or connect phones or any other USB device. The voltage may damage the device.

Product Specifications

Power Output	40W MAX 20W RMS
Frequency Response	100 Hz - 10 KHz \pm 3dB
Loudspeaker	5" Full Range
Audio Input	Wired Mic 1 x 6.35 mm jack
	Aux In 1 x 3.5 mm jack
Power Supply	Power Adaptor Input: 100-240VAC Output: 15VDC 1.5A
	Built-in Battery 12V 2.2Ah Rechargeable Lithium
Wireless Microphone	Handheld (Included) or Body Pack (Optional)
Frequency	VHF 213.750 MHz
Charge Time	6 Hours
Working Time (Depending on Volume)	3-5 Hours
Battery Indicator	Single LED
Dimensions (L x W x H)	11.14" x 6.96" x 6.18"
Actual Weight (Including accessories)	4 lbs 6 oz

Useful Tips on Using Your Portable PA System

The Califone PA219 Portable PA System has been designed as an all-in-one portable solution that is easy to set up and get working. In order to get the most out of your Portable PA System please follow these simple guidelines:

1. Charge your portable system regularly and never store in a completely discharged state. This will prolong battery life.
2. It is important to elevate and place the speaker at an appropriate position to maximize its coverage and minimize feedback.
3. To avoid feedback, do not place the microphone directly in front of the portable loudspeaker.
4. If your audio output quality is being affected by wind noise, turning the Tone down will help to cut out the noise.
5. Do not position the PA speaker too far from the person speaking.
6. Keep a spare set of fresh AA batteries for the wireless microphone and a corded microphone on hand. If microphone is left On accidentally and AA batteries are low, having a corded microphone means a microphone is always available.

Warning

Do not attempt to service or repair the device yourself. Refer all servicing to qualified service personnel.

Do not attempt to modify the device in any way. Doing so could invalidate your warranty.

Accessories Available for Your Califone PA219 System

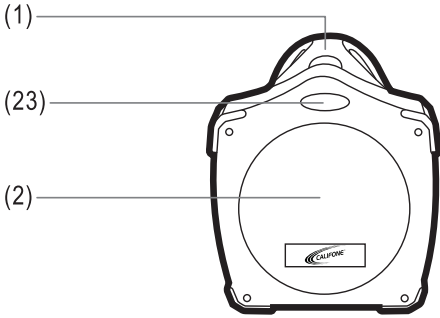
1. Dynamic Wired Microphone (model number: DM39)
This is practical in case your wireless microphone has been left on accidentally and has no charge. It's also convenient to be able to have 2 people talk/perform at the same time.
2. Body Pack Wireless Transmitter with Headset Microphone (model number: PA219M) Hands free speech for performance/presentation. Includes headset microphone. (Optional microphone to be used instead of handheld microphone Q219).

Visit us online at califone.com

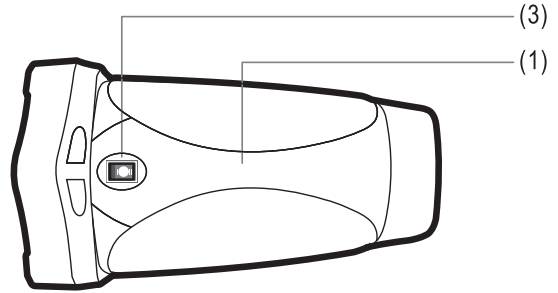
Parts Description

Main Unit

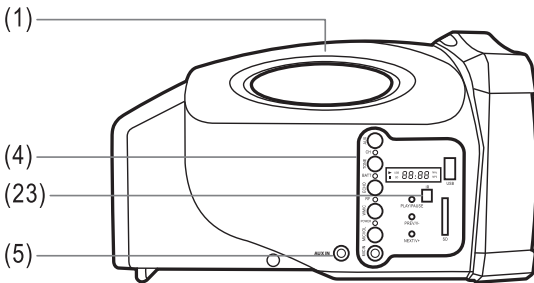
Front View



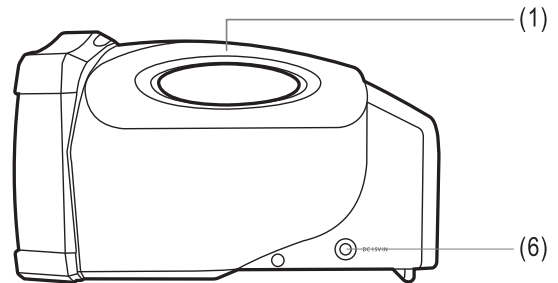
Top View



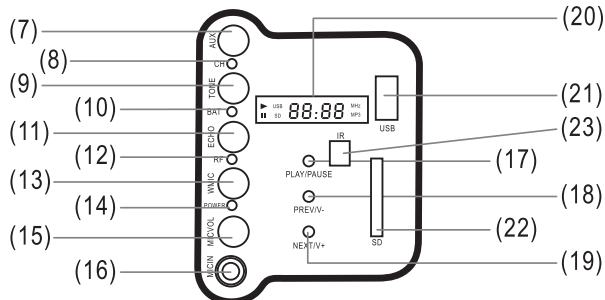
Side View



Side View



Control Panel



Features

- (1) Carry Handle
- (2) Speaker
- (3) Main Power On / Off Switch
- (4) Control Panel
- (5) AUX 3.5mm Input
- (6) DC Power In (DC 15V IN)
- (7) AUX Volume Control (AUX VOL)
- (8) Charging Indicator (CH)
- (9) TONE Control
- (10) Low Power Indicator (BATT)
- (11) ECHO Control
- (12) Wireless Receiver Indicator (RF)
- (13) Wireless Mic Volume Control (WMIC)
- (14) Power Indicator (POWER)
- (15) Wired MIC In Volume Control (MICVOL)
- (16) 6.3mm Mic Input (MICIN)
- (17) Play / Pause
- (18) Previous File - Short press / Long press
decreases Audio Player Volume (PREV/V-)
- (19) Next File - Short press / Long press
Increases Audio Player Volume (NEXT/V+)
- (20) Display Window for Audio Player
- (21) USB Slot (for flash drives up to 16GB)
- (22) SD Card Slot (up to 16GB)
- (23) IR Sensor (IR)

Operation Guide

AC Operation

1. Turn all volume controls to their minimum setting.
2. Insert the DC plug, at the end of the AC adapter cord into the DC input jack.
3. Plug the AC adapter to an AC power outlet socket, the charging LED (CH) will light red. Use only with the included power adapter and make sure the local voltage corresponds on the adapter's required AC input voltage.
4. Turn on the power switch, the POWER LED and DISPLAY WINDOW will light red

Battery Operation

To enable battery operation, first ensure that the internal battery is fully charged. To do this, follow the instructions above for AC Operation and let the battery recharge for at least 6 hours. When the battery is charging, the CH LED will light red. It will turn off when the battery is fully charged.

BATT LED

Indicates the battery charge status. Recharge the battery when the BATT LED turns on red.

Control Panel

Audio Player Operation

1. Turn on the power and set the volume to a comfortable level with the audio player volume controls PREV/V-, NEXT/V+ and AUX VOL control knob.
2. Set TONE and ECHO to the desired sounds effects.

Display Window

The Audio Player Display Window provides status information about the USB and SD features. Play/pause, number of tracks, track number being played, time elapsed, repeat one, repeat all, volume level (0-30)

USB and SD Card

Support MP3 and WMA audio formats, USB 2.0 or higher, USB Drive up to 16GB and SD Card up to 16GB. Insert USB drive into slot (21), or insert SD card into slot (22), the files will be read and played automatically.

PLAY/PAUSE

Short press PLAY/PAUSE to select these functions.
Long press PLAY/PAUSE to change USB to SD or vice-versa when both mounted.

PREV/V-

Short press PREV/V- to select previous audio file.
Long press PREV/V- to decrease Audio Player volume.

NEXT/V+

Short press NEXT/V+ to select next audio file.
Long press NEXT/V+ to increase Audio Player volume.

WARNING

USB Port

Do not connect any external device to the USB port other than USB flash memory drives. This port is not designed to charge or connect phones or any other USB device. The voltage may damage your device.

Control Panel Features

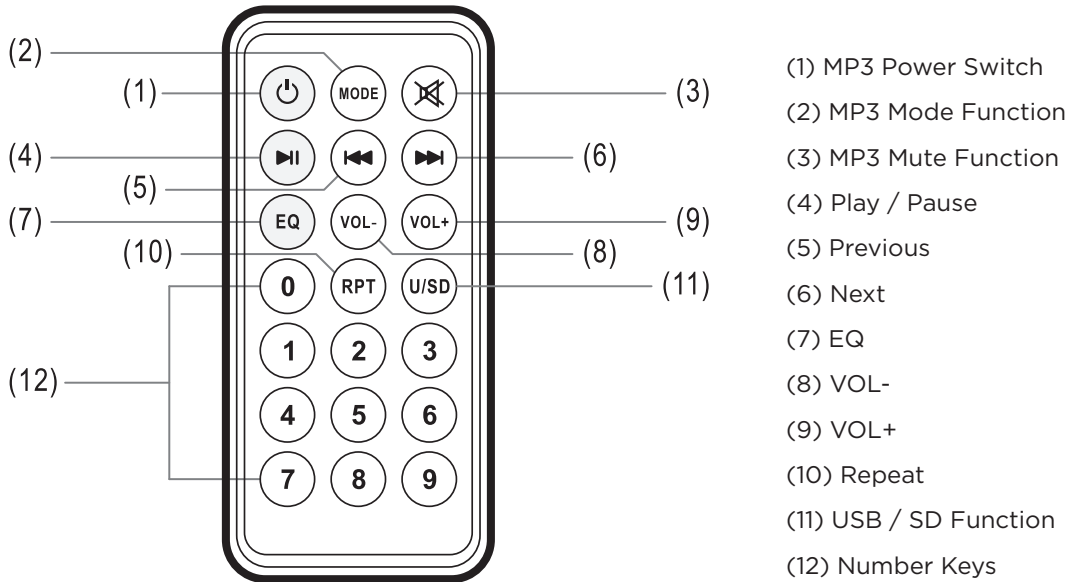
Microphone Input (MICIN)

Connect a wired microphone to the 1/4" MICIN jack. Adjust its volume level with the MICVOL knob.

AUX IN

Connect audio devices such as smartphones or tables to the 3.5mm AUX IN jack, using an audio cable with stereo 3.5mm plugs on both ends, to play audio files. Use the AUX VOL knob to adjust its volume.

Audio Player Remote Control



The following functions are available on the remote control only

- MP3 Power Switch (1): Turns on/off the power of the MP3 player section only.
- EQ (7): EQ modes Jazz, Rock, Pop and Classic.
- RPT (10): Repeat modes One and All.

NOTES

- Before the first use, open the battery cover and remove the protective plastic film. The remote is now ready to use.
- The remote control may be used to operate the PA219 within 13 feet (4 meters) from the front or side of the speaker, within a 45 degree angle.

Wireless Transmitters



(1) **Wireless Handheld Microphone (model number: Q219)**

- (2) 1. Mesh & Capsule
- (3) 2. Power LED Indicator
- (4) 3. Power Switch
- 4. Body Sleeve

2. Wireless Handheld Microphone Operation

1. Battery Installation/Replacement: Hold the mic by the Body Sleeve and slide it down to uncover the battery compartment. Install/replace the batteries and slide the Body Sleeve back in place.
2. Turn on the microphone power by moving the Power Switch to the ON position. The Power LED indicator will flash once then turn off. When the Power LED indicator keeps ON, it indicates the battery power is low. Replace the batteries for continuous use.
3. Microphone Volume. Adjust the microphone volume using the WMIC control knob located on the Control Panel.

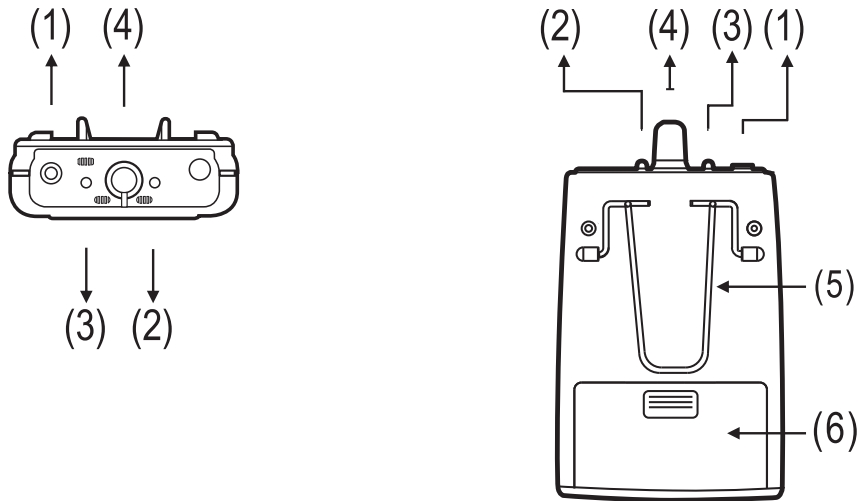
NOTE: The RF LED indicator located on the Control Panel, will light red when the wireless microphone is ON.

3. Wireless Handheld Microphone Specifications

Microphone Type	Handheld
TX Frequency	213.75 Mhz
Wireless Range	100 feet (approximately)
Spurious Emissions	>55 dBm
Transmitting Power	10 mW
Power Source	2 x AA 1.5V Batteries
Operating Time	Approximately 8 hours
On-board Indicators	Power Status / On / Off Switch

Visit us online at califone.com

4. Optional Wireless Body Pack Transmitter (Included in PA219M)



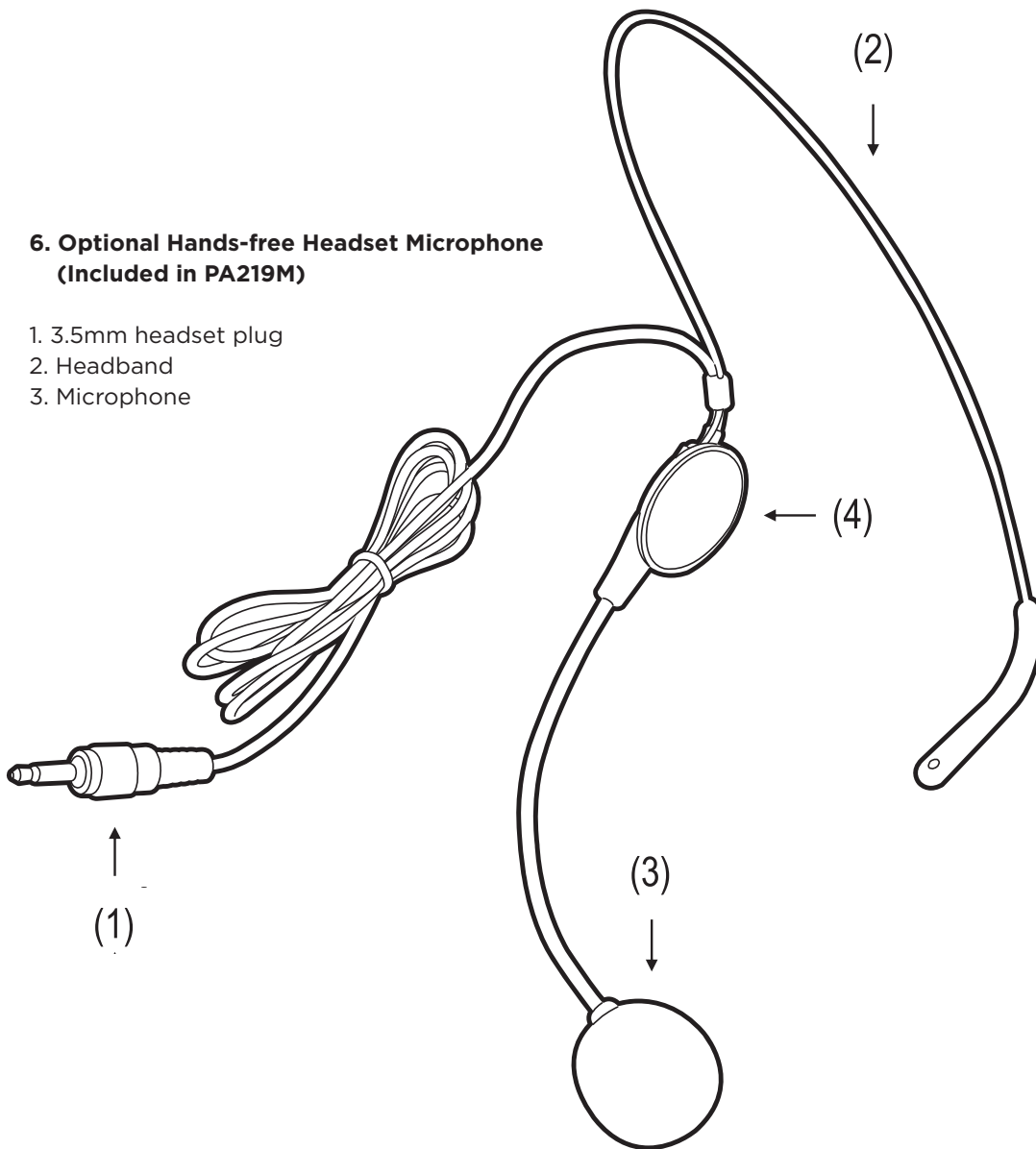
1. MIC IN (3.5mm) for Headset Microphone
2. POWER LED Indicator
3. Low Battery LED Indicator
4. ON / OFF Power and Volume Control
5. Belt Clip
6. Battery Compartment / Cover

5. Optional Wireless Body Pack Transmitter Operation

1. Open battery cover (6) and insert 2 x AA batteries paying attention to the polarity indicated with + or -.
2. Turn on the power with the POWER/VOL knob. The POWER LED indicator will light up green to indicate good battery voltage. When the LOW BAT power indicator lights up red, replace the batteries.
3. Plug in the headset microphone into the MIC IN 3.5mm jack.
4. Adjust the volume with the POWER/VOL knob to the required volume.
5. Adjust the volume on the speaker unit using the WMIC control knob.

6. Optional Hands-free Headset Microphone (Included in PA219M)

- 1. 3.5mm headset plug
- 2. Headband
- 3. Microphone



Visit us online at califone.com

Optional Wireless Body Pack Transmitter Specifications

Microphone In	3.5mm Jack
TX Frequency	213.75 MHz
Power Source	2 x AA 1.5V Batteries (Included)
Operating Time	Approx 8 Hours
On-board Indicators	Power Status / Low Battery / On / Off Switch
Wireless Range	100 feet (approx)
Dimensions	2.67" L x 1" W x 4.4" H

Headset Microphone Specifications (PADM219)

Microphone Type	Condenser
Frequency Range	50Hz-16KHz
Directional Characteristic	Unidirectional
Sensitivity	-46 dB \pm 3d B (1V / Pa at 1 KHz)
Impedance	600 Ω \pm 30 %
Output Connector	3.5 mm plug



CAUTION
RISK OF ELECTRIC SHOCK - DO NOT OPEN



**CAUTION: TO REDUCE THE RISK OF ELECTRIC SHOCK,
DO NOT REMOVE COVER OR BACK. NO USER SERVICEABLE PARTS INSIDE.
REFER SERVICING TO QUALIFIED PERSONNEL.**



The lightning flash with arrowhead within a triangle is intended to tell the user that parts inside the product are a risk of electric shock to persons.



The exclamation point within a triangle is intended to tell the user that important operating and servicing instructions are in the papers with the appliance.

WARNING:

TO REDUCE THE RISK OF
FIRE OR ELECTRIC SHOCK, SO
NOT EXPOSE THIS APPLIANCE
TO RAIN OR MOISTURE.

IMPORTANT SAFETY INSTRUCTIONS

Attention: all safety and operating instructions should be read before operating appliance. All operating and use instructions should be followed when operating the appliance. Heed and adhere to all warnings on the appliance and in the operating instructions. Retain all safety and operating instructions for future reference.

Water & moisture - do not use the appliance near water; ie. Bathtub, washbowl, kitchen sink, laundry tub, wet basement or swimming pool.

Ventilation - do not situate the appliance so that its location or position interferes with its proper ventilation. For example, the appliance should not be situated on a bed, sofa, rug or similar surface that may block the ventilation openings. The appliance should not be placed in a built-in installation, such as a bookcase or cabinet, that may impede the flow of air through the ventilation openings.

Heat - situate the appliance away from heat sources such as radiators, heat registers, stoves or other appliances (including amplifiers) that produce heat.

Power sources - connect the appliance only to a power supply type described in the operating instructions or marked on the appliance.

Grounding or polarization - precautions should be taken so that the grounding or polarization means of the appliance are not defeated.

Power cord protection - power supply cords should be routed so that they are not likely to be walked on or pinched by items placed upon or against them, paying particular attention to cords at plugs, convenience receptacles, and the point where they exit from the appliance.

Cleaning - the appliance should be cleaned only as recommended by the manufacturer.

Non use periods - unplug the appliance power cord from the outlet when left unused for a long period of time.

Object & liquid entry - care should be taken so that objects do not fall and liquids are not spilled into the enclosure through openings.

Damage requiring service - the appliance should be serviced by qualified service personnel when: (a) the power supply cord or the plug has been damaged (b) objects have fallen or liquid has been spilled into the appliance (c) the appliance has been exposed to rain (d) the appliance does not appear to be operating normally or exhibits a marked change in performance (e) the appliance has been dropped or the enclosure damaged.

Servicing - the user should not attempt to service the appliance beyond that described in the operating instructions. All other servicing refer to a qualified service personnel.



Califone® International, LLC

9135 Alabama Avenue, #B, Chatsworth, CA 91311

Tel (818)407-2400 | (800)722-0500 | Fax (818)407-2405 | (877)402-2248

Visit us online at califone.com