

# DL210 NET 2.0, DL210 NET D 2.0

Digi-Loop™ Large-area dual-output loop amplifiers



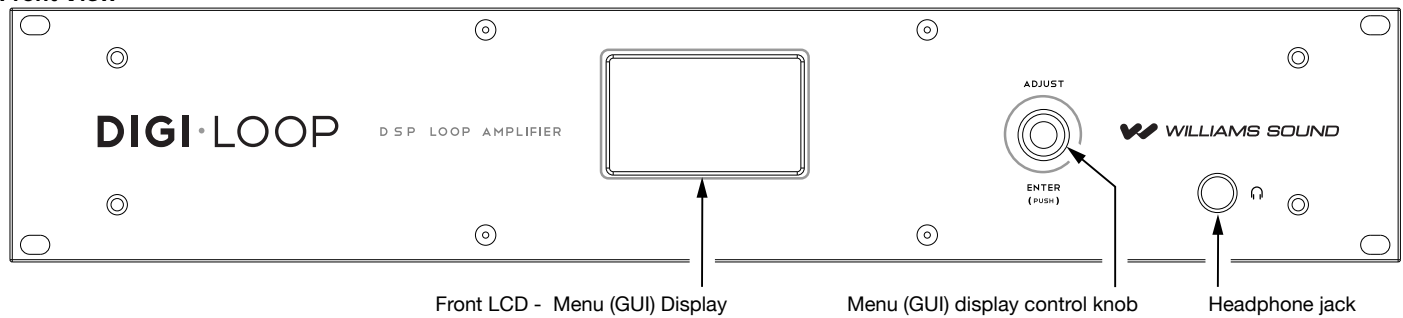
Digi-Loop is definitely state-of-the-art – the first of its kind to maximize modern amplifier technology. Its network-control capability provides seamless, remote system set-up, operation and monitoring via laptop or tablet. DSP audio processing offers flexible, powerful software control of mixing, equalization, compression and more. Powerful Class D, pulse-width amplifiers maximize efficiency.

### FEATURES / BENEFITS

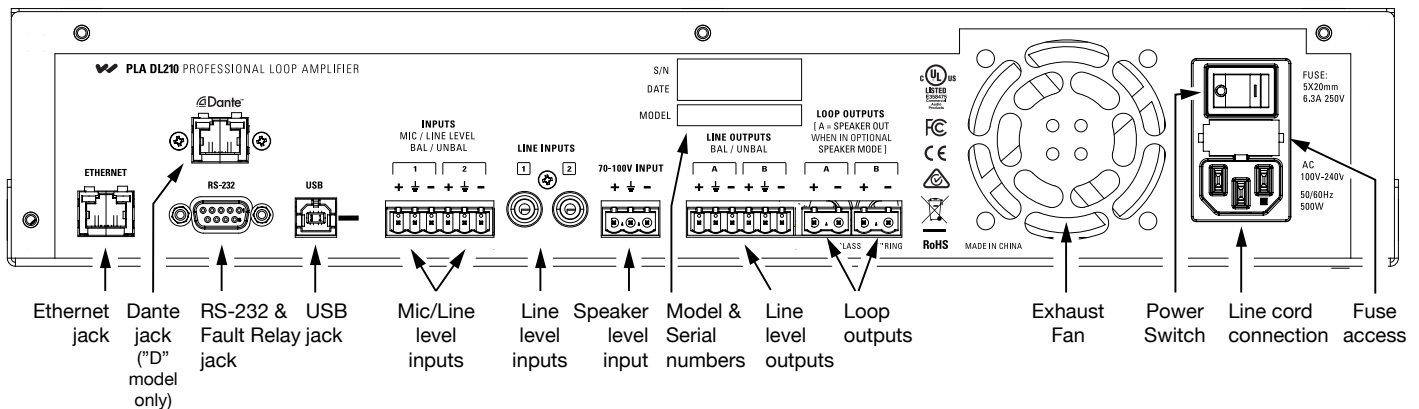
- Network control - allows control and calibration of unit remotely with application software
- High continuous current 12 A<sub>rms</sub> (17 A<sub>pk</sub>) per output continuous
- LCD Screen with VU metering, easy one-button menu control
- DSP Audio Processing
- Dante™ Input
- USB for firmware updates
- Input mixing, parametric equalization, compression, metal loss compensation, high and low-pass filters, AGC and audio delay
- Power-save mode
- Adjustable output delay for multiple amps in large venues
- Fault warning and active protection against shorted or open circuits and overheating
- Loop fault relay output (via RS-232 DB-9 connector)
- The Digi-Loop's amplifier design offers dual 12 Arms loop outputs for perimeter loop(s), single array(s), dual loop, or phased-array configurations. A 70-100 V input provides connection to a distributed speaker/paging system, ensuring announcements are heard by loop users.
- Two 3-position terminal block inputs configurable as microphone input or line-input, balanced or unbalanced.
- Standard 2 RU, 19" rackmount
- Magnetic signal couples directly to devices equipped with telecoils (T-coils) such as hearing aids, cochlear implants, or optional loop receivers.
- Suitable for phased-array or dual-loop systems.
- Phased-array mode automatically produces 90° phase shift in slave loop output
- Speaker mode - switches one loop output to drive a passive speaker
- Meets IEC 60118-4 system performance requirements when integrated into a correctly designed and installed system.
- Test specification provided to IEC 62489-1 standard.
- Meets ADA / ADAAG guidelines.

# Digi-Loop™ Large-area dual-output loop amplifier with Dante™ input

## Front View



## Rear View



Note: the DL210 NET 2.0 does not have a Dante jack.

## Architectural / Engineering Specifications

The loop amplifier shall have a RJ-45 ethernet jack to provide configuration capability over an ethernet (10 base T) network.

It shall have an RJ-45 Dante ethernet jack.

It shall have a USB jack to provide firmware upgrades to the amplifier using a computer.

It shall have two MIC/LINE LEVEL 3-pole terminal block inputs, balanced or single-ended, with 48 V phantom supply in microphone mode.

It shall have a configurable PRIORITY INPUT function.

It shall have a 70-100 V, 2-pole terminal block input, to provide a high/speaker-level input connection for use with distributed speaker systems.

It shall have an internal frequency generator for calibration providing 100 Hz, 500 Hz, 1 kHz, 2.5 kHz and 5 kHz tones, and Pink Noise.

It shall have two LINE OUTPUTS, balanced or single-ended to provide loop-through connections for line level signals going to other equipment such as recording devices or additional loop amplifiers.

It shall have a 1/4" Headphone jack on front panel for monitoring of inputs or outputs, selectable in the menu.

It shall have a loop fault relay output (NC,NO,C) for triggering external systems when a loop fault occurs. This shall be integrated into the RS-232 DB-9 connector.

It shall provide an output drive voltage of up to  $33.3 V_{rms}$ ,  $47.6 V_{pk}$  per output.

It shall provide an output current of up to  $12 A_{rms}$ ,  $17 A_{pk}$  per output.

It shall have a front control interface consisting of a backlit LCD screen and control button/dial.

It shall have adjustable settings for input mixing, parametric equalization, compression, frequency-shaping, metal loss compensation, high and low-pass filters, AGC and audio delay.

It shall display warnings for LOOP FAULT (open loop, shorted loop or out of impedance range), OVER TEMP, and CLIPPING. It shall have protection against loop faults and overheating (amplifier shuts down).

It shall be controllable by devices such as a Windows Surface Tablet, or PC, with PC App software installed.

It shall be compatible with either US or international power systems with the appropriate power cord.

Performance shall meet IEC 60118-4 system performance requirements when loop system is designed and installed correctly.

Specifications/testing shall conform to IEC 62489-1 benchmark testing standards

The loop amplifier shall be the Williams Sound model **DL210 NET 2.0**.

The loop amplifier *with the Dante input* shall be the Williams Sound model **DL210 NET D 2.0**.

# Digi-Loop™ Large-area dual-output loop amplifier with Dante™ input

## Specifications:

### GENERAL

|                         |  |
|-------------------------|--|
| Dimensions              | 2 RU Rackmount, 19" W x 3.5" H x 12" D. Chassis is 17" W.  |
| Weight                  | 14.3 lbs (6.5 kg)  |
| Color                   | Case: Black, white and blue legends on front, white legends on back. LCD: Backlit Blue.  |
| Fan cooling             | Variable Speed, Temperature Controlled   |
| Power supply            | Internal, Universal 100-240 VAC, 50/60 Hz, 250 Watt. Fuse: 5 x 20 mm, 5 A, 250 V. AC power plug is IEC 320-C14.  |
| Heat output @ 120 VAC   | Sleep state: 100 BTU/hr; Idle state: 146 BTU/hr; Driving two loops @ 12 A each: 1,040 BTU/hr   |
| Ethernet                | (1x) RJ-45; 10-100 MBps.   |
| USB                     | (1x) standard-B. USB 1.1, 2.0 or 3.0 supported.  |
| RS-232/Loop fault relay | (1x) DB-9 jack. RS-232: Pin 2=Tx, Pin 3=Rx, Pin 5=gnd. Loop fault relay: Pin 1=NC, Pin 4=Common, Pin 6=NO. Relay contact rating: 2.0 A @ 30 VDC.                               |
| Environment             | 0-35° C ( 32-95° F), 0-90% relative humidity.  |
| Coverage area*          | 31,400 sq. ft. (2,917 sq. m.) (Perimeter Loop, 1:1 aspect ratio, both outputs driven)<br>51,660 sq. ft. (4,800 sq. m.) (Perimeter Loop, 3:1 aspect ratio, both outputs driven) |

### INPUTS

|                 |   |
|-----------------|---|
| Dante input     | DL210 NET D 2.0 model only. (1x) RJ-45;100 Mbps. Minimum latency: 2 ms. Audio sample rates supported: 44.1, 48 kHz. Resolution: 24 bits.  |
| Mic/Line inputs | (2x) 3-position terminal block, input impedance=1.5 kΩ Mic, 10 kΩ Line. Configurable/Accepts: Mic, Line -10 dBV, Line +4 dBu, or Line +8 dBu, balanced or unbalanced. Phantom supply (48V). |
| 70-100 V input  | (1x) 2-position terminal block; high/speaker-level input (accepts 25 V, 70 V or 100 V) from distributed audio/paging systems.   |

### OUTPUTS

|                            |   |
|----------------------------|---|
| Line outputs               | (1x) 3-position terminal block; loop-through of Mic/Line Input 1 & Line Input 2, +4 dBu, Balanced or Unbalanced. The line outputs mirror the audio of the loop output.              |
| Loop output(s)             | (1x) 2-position terminal block per output   |
| Audio output delay         | Adjustable from 0 to 165 msec   |
| Headphone output           | (1x) 1/4" stereo headphone jack, on front of unit. Monitored input or output selectable in menu.  |
| Loop fault relay           | Integrated into RS-232 DB-9 jack. Pin 1=NC, Pin 4=Common and Pin 6=NO. Contact rating: 2.0 A @ 30 VDC.  |
| Loop output drive voltage  | 33.3 V <sub>rms</sub> (47.1 V <sub>pk</sub> ) continuous  |
| Rated loop output current* | 12 A <sub>rms</sub> (17 A <sub>pk</sub> ) per output  |
| Loop resistance range      | 0.5 Ω to 3.0 Ω (DC)   |
| Speaker output             | Integrated into Loop Output A terminal block (switchable in menu). 225 Watts x 1 channel @ 4Ω, 125 Watts x 1 channel @ 8Ω, (Class D). Frequency response = 20 Hz-20 kHz, THD=0.07%. |

### AUDIO

|                         |  |
|-------------------------|--|
| Rated load*             | 0.5 Ω DC with 135 μH inductance                |
| Loop frequency response | 45 Hz to 9.0 kHz ± 2 dB (1 kHz ref.)           |
| Rated loop THD*         | <1% at rated output current (1 kHz sine wave). |

### OTHER

|                     |  |
|---------------------|--|
| Front controls      | Front LCD display menu access/adjustment via control button/dial.  |
| Adjustable settings | Input mixing, parametric equalization, compression, metal loss compensation, high and low-pass filters, AGC and audio delay, output levels. See User Manual for adjustment range(s). |

\*Test Specifications provided to the IEC 62489-1 standard.

**NOTE: SPECIFICATIONS SUBJECT TO CHANGE WITHOUT NOTICE.**

# Digi-Loop™ Large-area dual-output loop amplifier with Dante™ input

## Specifications (continued):

|                            |   |
|----------------------------|---|
| Internal calibration tools | Test tone generator with pink noise, loop current adjustment/matching. See User Manual for details.   |
| Other features             | Save/load configuration, loop test, priority input selection with adjustable threshold, loop fault relay, open/short and thermal protection. See User Manual for details. |
| Network control & firmware | Function control and calibration by DigiLoop PC App via ethernet (RJ-45). PC App requires Windows 7 or higher. Firmware updates through USB only.                         |
| Warranty                   | 5 years   |
| Approvals                  | CE, UL, ULC, FCC, Industry Canada, RoHS, WEEE, CB scheme, RCM   |
| Standards compliance       | This product is designed to meet the IEC-60118-4 standard when correctly designed, installed and commissioned. Test Specifications provided to the IEC 62489-1 standard.  |

**NOTE: SPECIFICATIONS SUBJECT TO CHANGE WITHOUT NOTICE.**

### Domestic Sales

Williams AV  
10300 Valley View Rd  
Eden Prairie, MN 55344  
Ph: 800-328-6190 / 952-943-2252  
FAX: 952-943-2174  
Email: [info@williamsav.com](mailto:info@williamsav.com)  
Web: [www.williamsav.com](http://www.williamsav.com)

### International Sales

International Sales Department  
Williams AV  
10300 Valley View Rd  
Eden Prairie, MN 55344 USA  
Phone: +1 952 943 2252  
Fax: +1 952 943 2174  
Email: [info@williamsav.com](mailto:info@williamsav.com)  
Web: [www.williamsav.com](http://www.williamsav.com)

**WILLIAMS AV**  
[info@williamsav.com](mailto:info@williamsav.com) / [www.williamsav.com](http://www.williamsav.com)  
800-843-3544 / INTL: +1-952-943-2252