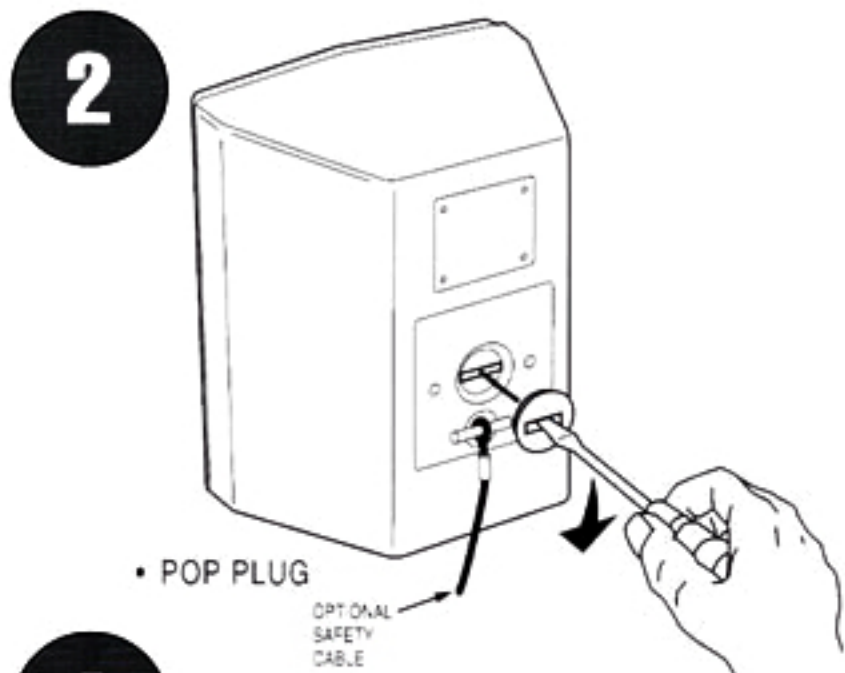
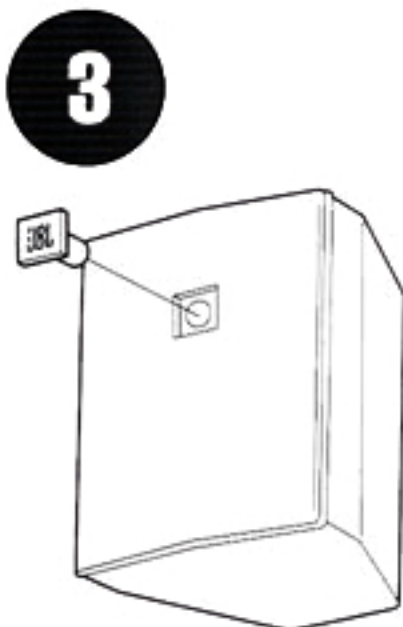


• MOUNT TO WALL

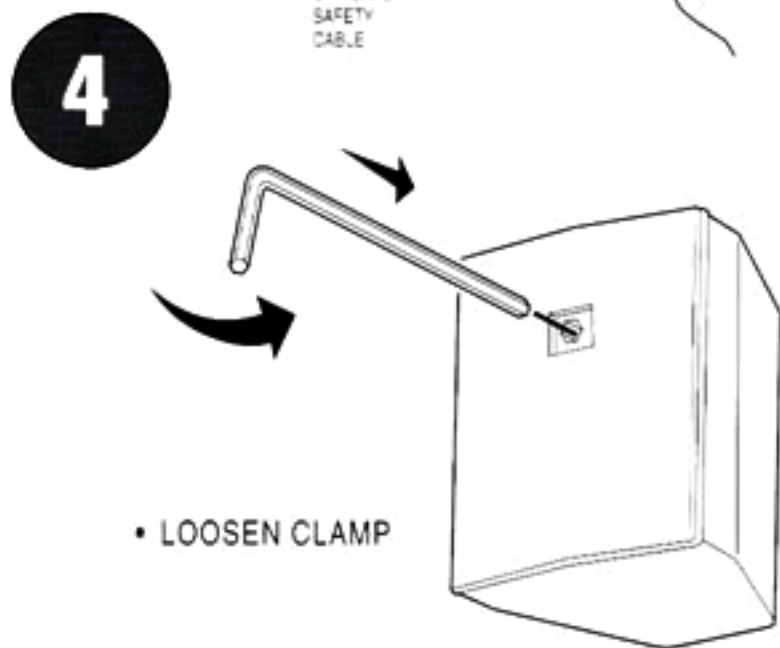


• POP PLUG

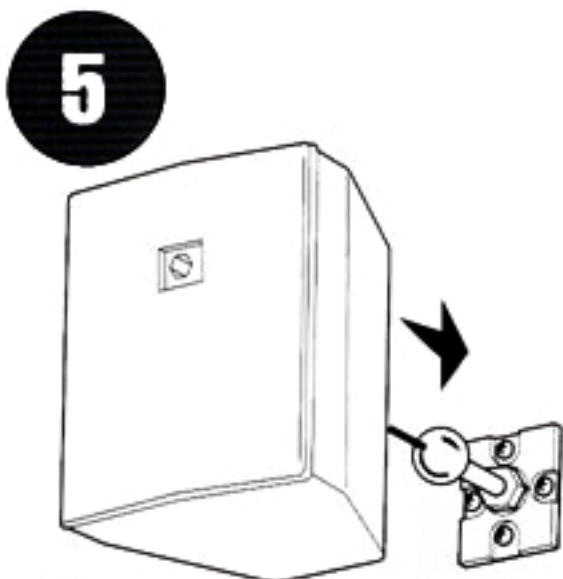
OPTIONAL
SAFETY
CABLE



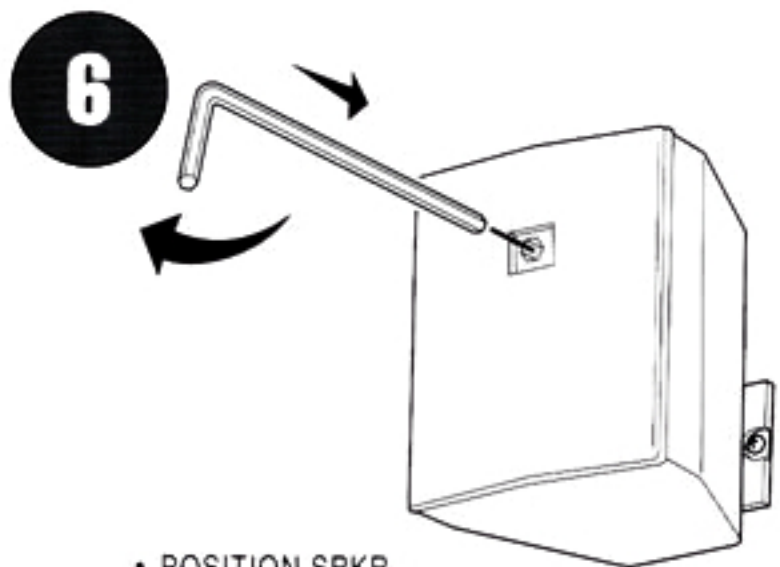
• REMOVE LOGO BADGE



• LOOSEN CLAMP



• ATTACH SAFETY
CORD/MOUNT SPKR



• POSITION SPKR,
TIGHTEN CLAMP.
REPLACE LOGO BADGE