

M300-HH

Vocal Microphone



Features

- Cardioid (Unidirectional) Dynamic Design
- Frequency Response Tailored for Vocal Applications
- On / Off Switch with Reed Mute Design to Eliminate Contact Noise
- Rubber Shock Mount System Reduces Handling Noise
- Noise Filtering System for Minimizing Unwanted Sibilance and Pops
- High SPL Multilayer Cartridge Protection
- Metal Housing Design for Durability
- High Strength, Anti-skid Metal Cartridge Cover Design
- Frequency Response 50Hz to 14kHz

Applications

- Speech Reinforcement
- Live Vocal Performance
- Corporate Facility
- Educational Facility
- Public Events
- House of Worship
- Mobile DJ

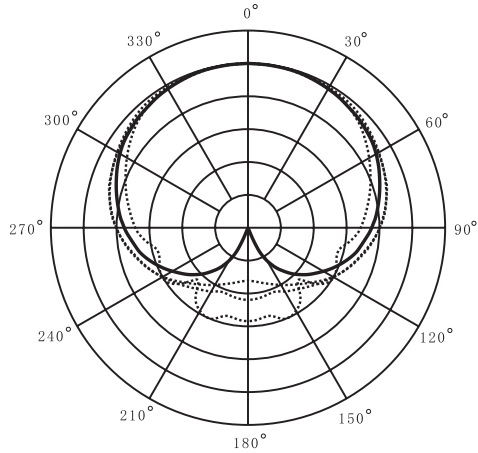
General Description

The Atlas IED M300-HH is a high quality, universal vocal sound reinforcement Cardioid Dynamic microphone. The M300-HH features a frequency response of 50Hz-14kHz with a unidirectional design. A click free magnetic On / Off slide switch is provided, making it universal for most applications. The M300-HH reinforces the natural sound of the voice and requires little to no EQ.

Microphone	
Element	Dynamic
Polar Pattern	Cardioid
Frequency Response	50Hz - 14000Hz
Output Impedance	600 Ω \pm 30% (at 1 kHz)
Sensitivity	-58dB \pm 3dB (1 V / Pa)
On / Off Switch	Magnetic Slide Lock
Output Connector	3-pin XLR - Male Diameter 2.0"
Housing	Metal
Grille	High Strength Anti-Skid Metal
Cartridge Mounting	Rubber
Included Accessories	Wind Screen, Mic Clip (Metal Threads $\frac{5}{8}$ "-27 Threaded Stands, $\frac{5}{8}$ "-27 to $\frac{3}{8}$ "-16 Threaded Adapter), Soft Carry Pouch
Mechanical	
Product Dimensions	2.0" x 7.5" (51mm x 190mm)
Shipping Dimensions (HxWxD)	5" x 7" x 12" (126mm x 78mm x 305mm)
Net Weight - lbs	0.75lb (0.34kg)
Shipping Weight - lbs	1.32lb (0.6kg)
Warranty Coverage	
Warranty Period	3 Years

©2019 Atlas Sound LP. The Atlas "Circle A", Soundolier, and Atlas Sound are trademarks of Atlas Sound L.P. IED is a Registered Trademark of Innovative Electronic Designs LLC. All rights reserved. All other Trademarks are property of their respective owners. No endorsement is implied. Due to continual product development, specifications are subject to change without notice. ATSO05942 RevA 3/19

Directivity

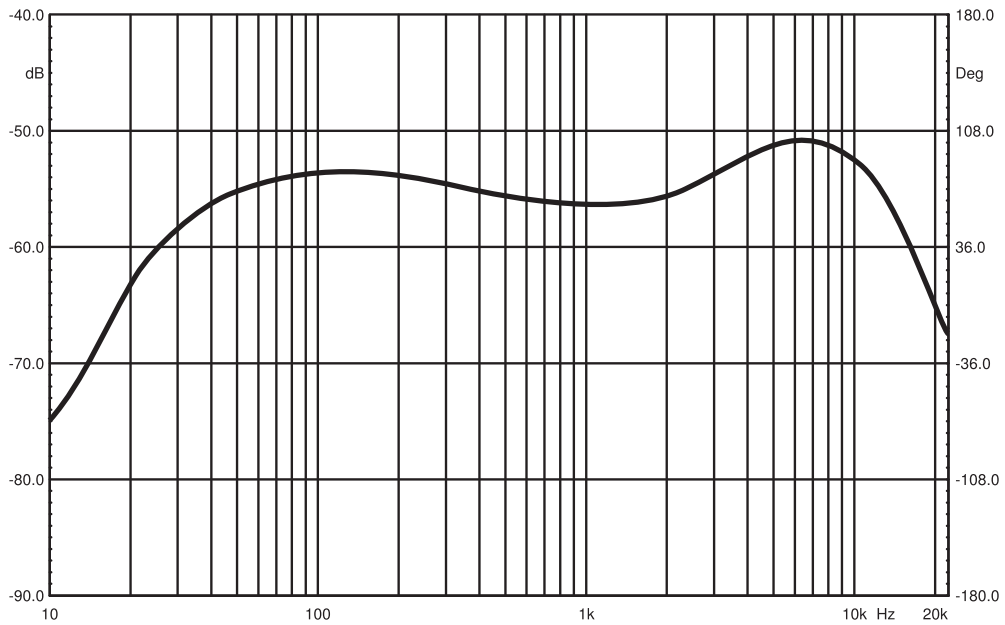


The sound pressure curve of 1 scale 5dB

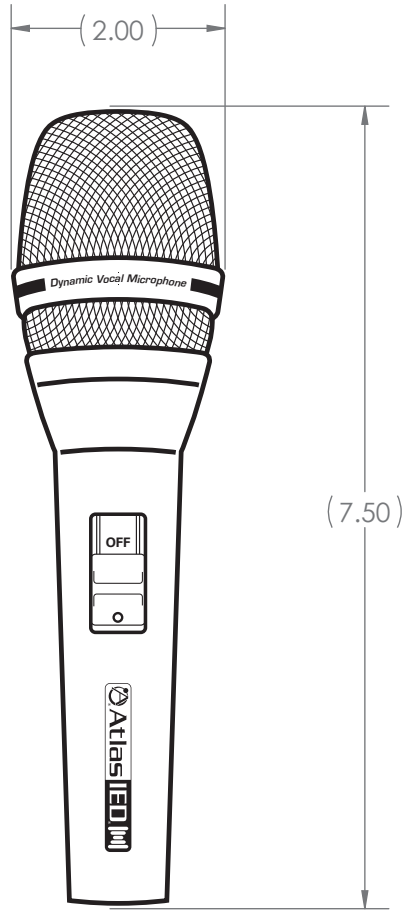
Frequency:

- 200Hz - . - . - .
- 1 kHz - ———
- 5 kHz - · · · · ·
- 8 kHz - - - - -

Frequency Response



Dimensional Drawings



Architect and Engineer Specifications

The AtlasIED microphone shall have a unidirectional dynamic design for handheld or stand use. It shall have a cardioid polar pattern with a frequency response of 40 Hz to 14,000 Hz. Nominal open-circuit output voltage shall be 1.7 mV at 1V. Output shall be low impedance balanced (600 ohms).

The output of the microphone shall be a 3-pin XLRM-type connector. The microphone shall include an on / off switch.

The AtlasIED microphone shall be 7.5" (191mm) long and have a head diameter of 2" (51mm). Weight shall be 0.75lb (0.34kg). The microphone shall include a microphone clip, a wind screen, and a soft protective carry pouch.

The AtlasIED M300-HH shall be as specified.