



KS112 Powered Subwoofer

KEY FEATURES

- High Output in an ultra-compact form factor
- 2000 Watt class D amplifier module
- 12-inch, long-excursion driver; 6th order bandpass design
- Variable crossover and savable/recallable Scenes for commonly-used applications
- Intrinsic Correction™ tuning and loudspeaker management
- Refined, professional appearance looks great in any application
- Rugged painted wood enclosure for long life and lasting durability
- Deployment in either vertical or horizontal positions with dual M20 speaker pole fittings
- Optional KS-LOC security cover prevents unauthorized tampering of controls
- Complete EASE & CAD information available online
- 6-Year Warranty*

PRELIMINARY



KS112

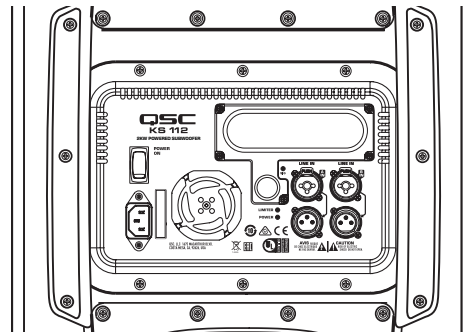
Musicians/Bands · Clubs/Venues · DJs/Dance · AV Rental/Production

The KS112 is an ultra-compact powered subwoofer for installation and highly portable entertainment applications.

The KS112 is a highly portable, single 12-inch bandpass design subwoofer, powered by a 2000 watt peak power class D amplifier module. The cabinet is constructed of premium birch and includes high-quality, low noise casters.

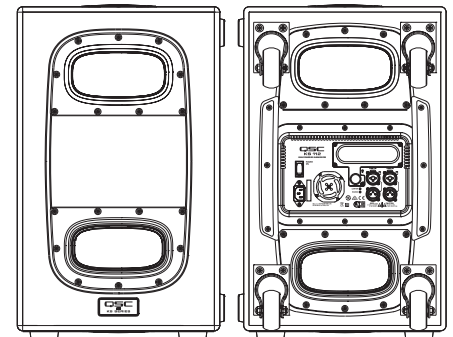
Two M20 threaded pole receptacles are available for a positive, wobble-free connection to a threaded speaker pole in either vertical or horizontal deployment (pole not included).

KS112 Powered Subwoofer



Front

Back



WORLD of K

KS112 Specifications

KS112	
Configuration:	6th-Order Bandpass Subwoofer
LF Transducer:	12-inch (305 mm), Cone
Frequency Response (-6 dB):	41 Hz - 108 Hz
Frequency Range (-10 dB):	38 - 121 Hz
Maximum Rated SPL¹:	128 dB @ 1 m (peak)
Amplifier:	Class D 2000 W (peak)
Cooling:	Low-noise, variable speed fan
Controls:	Power On/Off Gain Control Rotary encoder 2 x selection buttons
Indicators:	2 x Power LED (front and rear) Input Signal LED Limiter active LED
Connectors:	2 x locking XLR/F ¼" combo 2 x XLR/M (Loop-thru Output) 1 x locking IEC power connector
AC Power Input:	Universal power supply 100 – 240 VAC, 50 – 60 Hz
AC Power Consumption	100 VAC, 2.4 A / 120 VAC, 2.0 A / 240 VAC, 1.3 A
Enclosure Details	
Enclosure:	15 mm Birch Plywood
Color:	Black (RAL 9011)
Grille:	Internal woofer cover
Dimensions (HxWxD):	24.5 x 15.5 x 24.25 inches 622 x 394 x 616 mm
Net Weight: (including casters)	28.4 kg (62.6 lbs)
Shipping Weight:	34.5 kg (76 lbs)
Regulatory:	CE, WEEE, UL, China RoHS, RoHS II, FCC Class B
Included Accessories:	4 x Low-Noise, Heavy Duty Casters
Optional Accessories:	KS112 Cover, KS-LOC Lock-Out Cover SP-16X Extension Pole, SP-36 Extension Pole

¹ Peak SPL is measured on-axis at 1m, pink noise crest factor 10 dB, unweighted Continuous SPL is based on theoretical calculations based upon transducer sensitivity and peak available power (for comparison purpose and in accordance with common industry practice.

* With product registration. Visit QSC.com for full details.

Specifications subject to change without notice.