

Bose® RoomMatch™ RMSHADE Module Gain Shading Kit Accessory



CAUTION: This product is intended for installation by professional installers only!

Thank you for selecting Bose® RoomMatch™ loudspeakers for your sound reinforcement system. This document is intended to provide professional installers with basic installation and safety guidelines for installing the optional RMSHADE Module Gain Shading Kit Accessory in a Bose RoomMatch™ Array Module loudspeaker. Please read this document before attempting installation.



CAUTION: Make no modification to the system or accessories. Unauthorized alterations may compromise safety, regulatory compliance, and system performance.



CAUTION: This accessory is intended to work only with Bose RoomMatch™ Array Module loudspeakers.

To install the RMSHADE kit in a RoomMatch™ full-range module, follow these instructions:

1. Remove service panel cover plate from input panel.
2. Remove input panel from loudspeaker.
3. Mount transformer bracket to back of input panel with supplied screws.
4. Remove 3-pin loopback connector and insert transformer kit connector in its place.
5. Secure transformer harness and 3-pin loopback connector to the main wiring harness with cable tie (not included).
6. Reattach input panel and tighten fasteners to 10 in-lbs (1.2 nm).
7. Reattach service panel cover plate and tighten fasteners to 10 in-lbs (1.2 nm).
8. Attach transformer kit decal using panel alignment marks.
9. Verify proper operation of system.

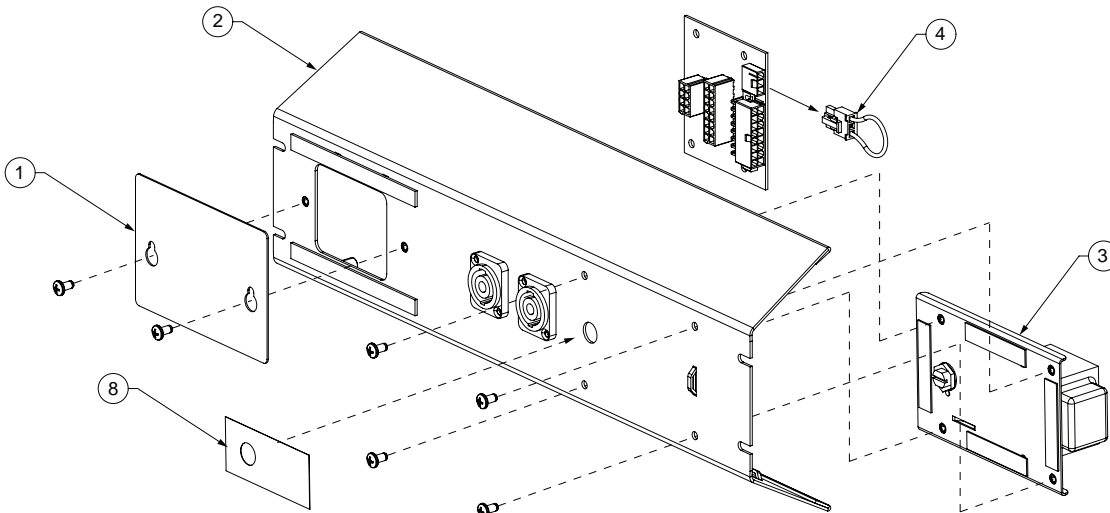
Figure 1. Service Panel Cover Plate on Input Panel



Figure 2. Installed RMSHADE Kit



Figure 3. Exploded Assembly Diagram



Bose® RoomMatch™ RMSHADE Module Gain Shading Kit Accessory

Figure 4. RMSHADE Wiring Diagram

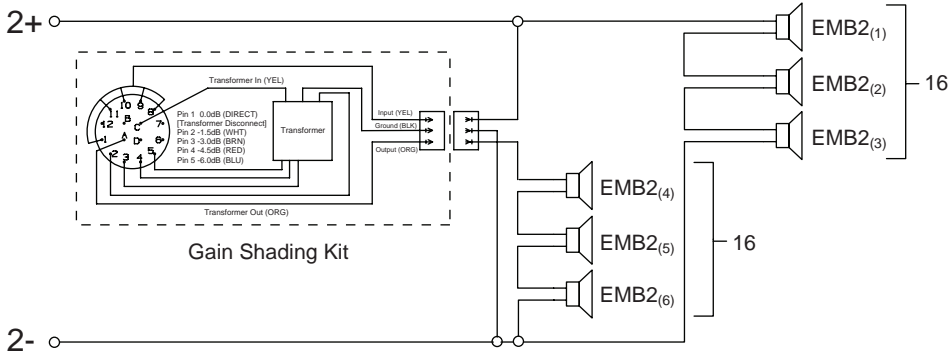
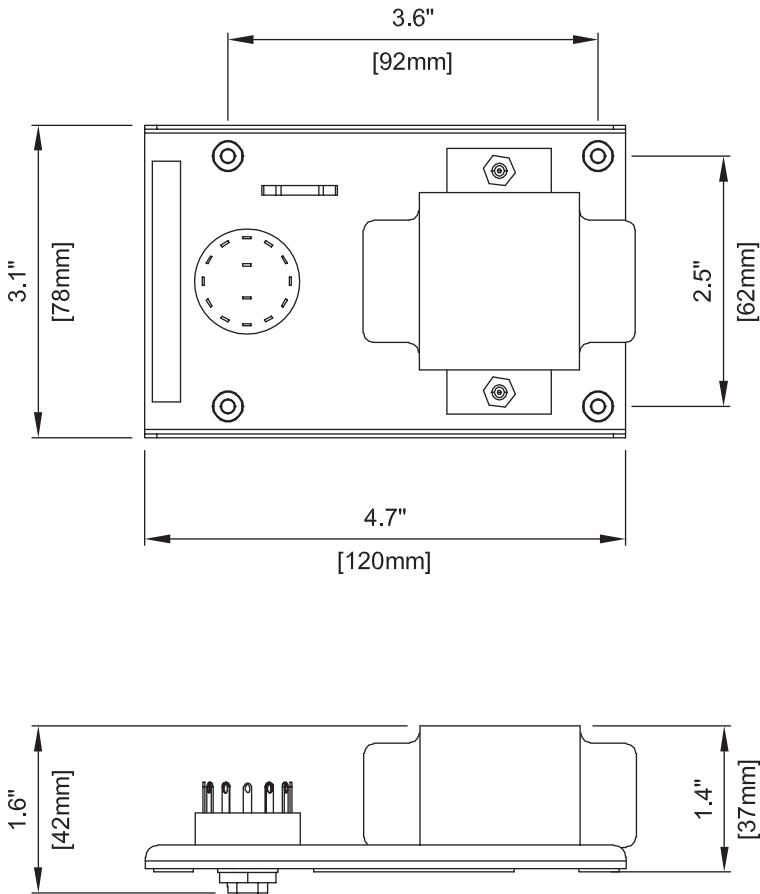


Figure 5. RMSHADE Dimensions



BOSE®
Better sound through research®



© 2011 Bose Corporation. All rights reserved.
The Mountain, Framingham, MA 01701-9168 USA
www.pro.Bose.com
All trademarks are the property of their respective owners.
AM348850 Rev. 00