

SHURE®

LEGENDARY
PERFORMANCE™

Wired Microphones

PG | SM | Beta | KSM

SM WIRED MICROPHONES

INDUSTRY STANDARD. PROFESSIONAL UTILITY.

Shure SM Microphones deliver an unparalleled mix of audio quality and rugged dependability that has made them the industry standard in professional sound for over 40 years. Built to withstand the rigors of regular stage and studio use, SM microphones are the cornerstone of a complete family of Shure wired microphones tailored to meet any audio need.



APPLICATIONS

Touring

Club Performance

Studio Recording

General Sound
Reinforcement

PRODUCT HIGHLIGHTS

Industry standard,
professional utility

Industry-defining sound

Rock-solid construction

Dynamic and condenser
models

SM58® Cardioid Dynamic Microphone

Overview

The legendary SM58® is an industry-standard, highly versatile cardioid dynamic vocal microphone that is consistently the first choice of vocal performers around the globe. Even in extreme conditions, the SM58 is tailored to target the main sound source while minimizing background noise, delivering warm and clear vocal reproduction.

Features

- Frequency response tailored for vocals, with brightened midrange and bass rolloff
- Uniform cardioid pickup pattern isolates the main sound source and minimizes background noise
- Pneumatic shock-mount system cuts down handling noise
- Effective, built-in spherical wind and pop filter
- Supplied with break-resistant stand adapter which rotates 180 degrees
- Legendary Shure quality, ruggedness and reliability
- Cardioid (unidirectional) dynamic
- Frequency response: 50 to 15,000 Hz

Available Models

SM58-LC	Includes stand adapter and zippered pouch
SM58-CN	Includes 7.6 m XLR-male to XLR-female cable, swivel adapter and a zippered pouch
SM58S	Includes integrated on/off switch, swivel adapter and a zippered pouch

Specifications

Type	Dynamic
Frequency Response	50 to 15,000 Hz
Polar Pattern	Cardioid
Sensitivity (at 1,000 Hz Open circuit voltage)	-54.5 dBV/Pa (1.85 mV) 1 Pa = 94 dB SPL
Impedance	Rated impedance is 150 Ω (300 Ω actual) for connection to microphone inputs rated low impedance
Polarity	Positive pressure on diaphragm produces positive voltage on pin 2 with respect to pin 3
Case	Dark gray, enamel-painted, die cast metal; matte-finished, silver colored, spherical steel mesh grille
Connector	Three-pin professional audio connector (male XLR type)
Weight	Net: 330 g
Dimensions	162 mm L x 51 mm W

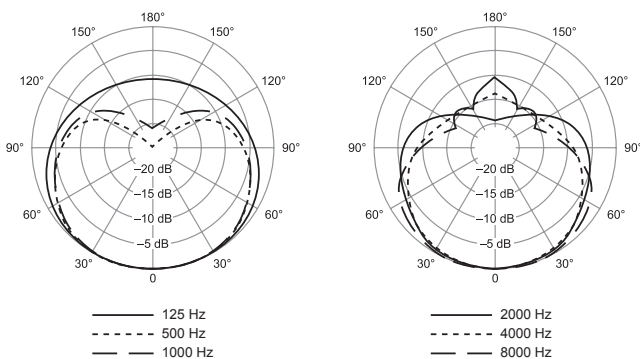


SM58

Optional Accessories and Replacement Parts

A58WS	Windscreen	A55M	Isolation mount	C25F	7.6 m cable
A25D	Microphone clip	A26M	Dual mount	RK143G	Screen and grille
R59	Cartridge	S37A, S39A	Desk stand		

Polar Pattern
Measured at 1000 Hz



Frequency Response

