

Compact All Environment Subwoofer



Superb audio quality

Articulate low end response

Fully weatherproof construction

One-piece, 1/2" thick molded cabinet

Molded-in colors will not crack or fade

**Comprehensive warranty: 10 year cabinet,
5 year hardware, 2 year electronics**

Stainless steel grill and inserts

**Molded in threaded inserts allow for flying
and bracket mounting**

1.5" stand-mount socket on bottom

**Three layer, chemically treated Weather-
Tech™ grill**

Self-draining cabinet design

Twelve (12) optional cabinet colors

Clean, architectural appearance

The Soho 12 is a companion subwoofer for the smaller loudspeakers in the Technomad line. Designed for use in abusive, real-world situations, the Soho is a compact and durable subwoofer which adds additional accurate low frequency output to a Technomad system.

The Soho 12 is designed to operate as the subwoofer in a system of Vernal, Vienna, Paris or Noho C loudspeakers. The Soho 12 features an internal passive network and is wired to pair 1+ / 1- on the Speak-on connectors. This allows a Soho 12 to be daisy-chained on the same amplifier as a full-range Technomad with no additional external processing or dedicated amplifier cabling needed. Technomad loudspeakers are extremely EQ compliant and offer the user unrivaled control over every type of program material. Only the highest-quality metalized polypropylene capacitors and heavy gauge inductors are used in Technomad networks, minimizing insertion loss and resulting in smooth response throughout the operating bandwidth.

The Soho 12 is designed for maximum flexibility and ease of use. A 1.5" diameter stand-mount socket is molded into the bottom of cabinet for tripod mounting. Four

1/4-20 threaded inserts on the top and right sides of the cabinet allow the Soho to be flown easily with eye-bolts.

The Soho 12 can be bracket-mounted with stainless AS Series wall-mount using the four 5/16-18 inserts on the back of the cabinet.

All hardware, including the grill is black, stainless steel to prevent corrosion and is recessed to prevent damage during shipment. From the inside out, every part of every Technomad loudspeaker is designed to provide optimum performance in even the worst conditions.

Due to the Soho's extremely small size, shallow depth and very powerful output, Soho subwoofers can be installed in small areas - within walls, scenery, shrubbery, etc - providing even bass coverage over larger areas. This eliminates the need for huge, expensive subwoofer cabinets that take up large amounts of floor space.

Technomad
Audio. Anywhere.™

www.technomad.com
customer@technomad.com
800 464 7757 • 617 275 8898
5 Tina Drive South Deerfield, MA, 01373

Audio Specifications

Frequency Response	40 Hz- 200 Hz (+/- 2 dB)
Maximum Continuous Power	430 watts
Maximum Peak Power¹	700 watts
Recommended Amplifier Power	500 watts
Sensitivity *	96 dB SPL
Maximum Output (long term)¹ **	113 dB SPL
Maximum Output (peak)	116 dB SPL
HF Dispersion	-
Nominal Impedance	8 ohms

¹ Based on ALMA EIA test 426B

* RTA total output, axial, 1W@1M

** Based on Maximum Continuous Power rating

Physical Specifications

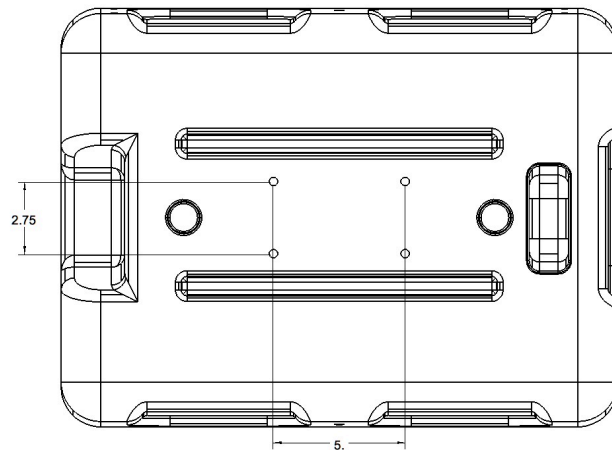
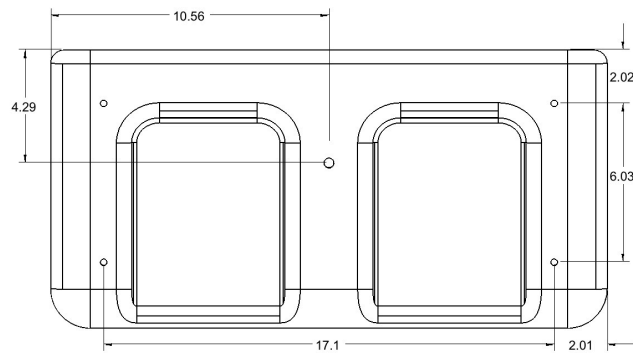
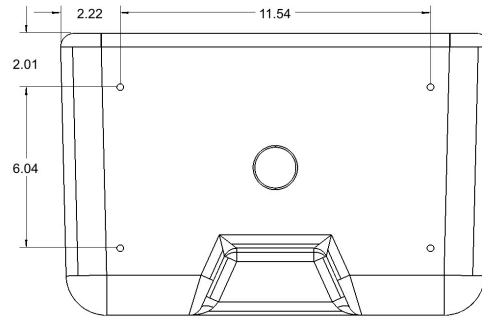
Height	21.13"	53.7 cm
Width	15.97"	40.6 cm
Depth	10.5"	26.7 cm
Weight	43 lb.	19.5 kg
Shipping Weight	45 lb.	20.4 kg
Fittings	4x 5/16-18 rear 8x 1/4-20 bottom 2x 3/18-18 sides	
Tripod socket	1 (bottom)	
Cabinet	recycled MDPE	
Grill	16G stainless WeatherTech™	

Signal Chain

High Frequency	-
Low Frequency	12" cone driver
Connectors	2x Neutrik™ NL4MP Speak-on
Crossover	Passive internal

Available Options

Mounting Options	Wall-mount brackets Yoke-mount brackets Pole-mount Adaptor
70V transformer	400 watt fixed tap
Color (grill and cabinet)	12 optional colors
Custom termination	



Architectural and Engineering Specifications

The loudspeaker system shall be of subwoofer type consisting of one 12" low frequency cone type transducer in a vented direct radiating enclosure. The system shall meet the following performance criteria: Frequency Response: 40 Hz - 200 Hz. Power Handling: 430W. Rated Impedance shall be 8 ohms. The system shall include an internal passive crossover network and shall include two Neutrik™ 4MP connectors.

The cabinet shall be molded from mid-density, (100% recycled if black) polyethylene. All cabinet dyes shall be non-heavy metal

based. The cabinet shall meet Mil-Spec 810E and be ATA-III compliant. The cabinet shall have a 10 year warranty. The system shall include one 1.5" stand mount sockets. The system shall have eight 10-1 rated 1/4-20 threaded inserts for hanging. The system shall have four 10-1 rated 5/16-18 inserts on the rear of the cabinet. All drivers shall be protected by a three-layer chemically treated grill system. All hardware shall be stainless steel.

The loudspeaker system shall be the Technomad Tour Model Soho 12.