

DesignMax DM3C

in-ceiling loudspeaker

Product Overview

With coaxial two-way drivers, the 30-watt DesignMax DM3C loudspeaker offers clear, intelligible highs and surprising low end for its size — along with premium aesthetics that complement any commercial sound installation. The DM3C features a two-way 3.5-inch woofer and 0.75-inch coaxial tweeter mounted within the Dispersion Alignment system, delivering a frequency range of 75 Hz – 20 kHz. The DM3C is ceiling-mounted, installed easily via QuickHold mounting arms.



Key Features

Combine DesignMax models to complete any design, big or small — 12 loudspeakers to mix and match, from 2-inch, low-profile models to 8-inch, high-SPL compression-driver loudspeakers and outdoor-rated options

Deliver clear highs and surprising low-end for their size with coaxial two-way drivers — no DSP or EQ required. For even better sound, combine with select Bose Professional DSPs and amplifiers to enable Bose Professional loudspeaker EQ and SmartBass processing, which expands performance and response at any listening level

Ensure a consistent listening experience throughout the room with the Dispersion Alignment system, which matches the coverage of the woofer to the pattern of the tweeter

Blend with any room design with elegant form factors, minimum-bezel grilles available in black or white, and removable logos

Reduce installation time with the patented QuickHold mounting system, which also reduces strain, hassle, and the chance of product damage

Install easily with industry-standard accessories — all models include Euroblock connectors; in-ceiling models include plenum-rated backcans, tile bridges, and front-access audio wiring that makes installation and troubleshooting easier

Technical Specifications

SINGLE LOUDSPEAKER PERFORMANCE		
Frequency Response (-3 dB) ¹	85 – 19,000 Hz	
Frequency Range (-10 dB) ¹	75 – 20,000 Hz	
Nominal Coverage Angle (1 – 4 kHz)	135° conical	
Nominal Coverage (1 – 10 kHz)	135° conical	
	AES transducer test ⁴	Bose Professional extended-lifecycle test ⁵
Power Handling, Long-term Continuous	30 W	25 W
Power Handling, Peak	120 W	100 W
Sensitivity SPL / 1 W @ 1 m ²	83 dB	83 dB
Calculated Maximum SPL @ 1 m ³	98 dB	97 dB
Calculated Maximum SPL @ 1 m, Peak	104 dB	103 dB
Crossover	1.7 kHz (passive 2-way crossover)	
Loudspeaker EQ	Not required. Bose Professional EQ voicing and SmartBass available.	
Recommended High-Pass Protection	80 Hz with minimum 24-dB/octave filter	
Transformer taps	70V: 3, 6, 12, 25 W, bypass	
	100V: 6, 12, 25 W, bypass	

For additional specifications and application information, please visit BoseProfessional.com. Specifications subject to change without notice. 12/2025

TECHNICAL DATA

DesignMax DM3C

in-ceiling loudspeaker

TRANSDUCERS	
Low Frequency	1 × 83 mm (3.25 in) woofer
High Frequency	1 × 20 mm (0.75 in) neodymium dome tweeter, coaxially mounted
Technology	Dispersion Alignment System, 127 mm (5 in) system diameter
Nominal Impedance	8 Ω (transformer bypass)
PHYSICAL	
Enclosure Material	Engineered-plastics front baffle with integrated steel-formed backcan
Grille	Magnetically attached perforated steel, powder-coated finish, paintable, with safety tether
Logo	Rotatable, removable
Color	White grille (RAL 9003), black grille (RAL 9005), paintable
Environmental	Indoor only
Safety Agency	UL Listed, UL 1480A, in compliance with UL 2043 for plenum-space installation, NFPA 70 & NFPA 90A, CE-compliant
Operating Temperature Range	0 °C to 50 °C (32 °F to 122 °F)
Connectors	Euroblock 6-pin connector with loop-through, front-baffle mounted. Accepts 18 AWG (0.8 mm ²) to 14 AWG (2.5 mm ²) size wire.
Wire/Conduit Entry	Top & side wire entry point knockouts, allows for 9.5 mm (3/8 in) conduit
Suspension/Mounting	Three (3) QuickHold, spring-loaded mounting arms plus three (3) safety cable tabs
Maximum Ceiling Thickness	39 mm (1.5 in)
Ceiling Cutout Size	208 mm (8.2 in)
Product Dimensions (grille diameter × depth)	255 × 154 mm (10.0 × 6.0 in)
Backcan Dimensions (diameter × depth)	203 × 144 mm (8.0 × 5.7 in)
Net Weight, Loudspeaker with grille (single)	2.68 kg (5.9 lb)
Net Weight, Tile-Bridge (single)	0.8 kg (1.7 lb)
Shipping Weight (pair)	8.7 kg (19.2 lb)
Included Accessories	Adjustable tile bridge, template
Optional Accessories	Black loudspeaker grille (2-pack), rough-in pan for new construction (6-pack)
PRODUCT CODES	
White (pair)	829708-0220 DESIGNMAX DM3C PAIR WHT
Black loudspeaker grille (pair)	A01683-0100 ASSY,KIT,GRILLE,BLK,DM3C
Rough-in pan (6-pack)	829719-0010 DESIGNMAX DM3C ROUGH-IN KIT 6 PACK

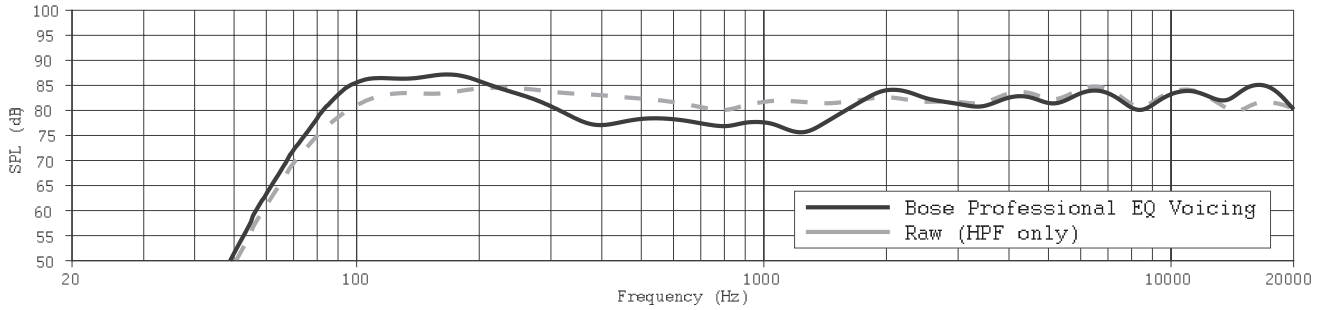
Footnotes

1. Frequency response and range measured on-axis in half-space environment with Bose Professional EQ voicing.
2. Sensitivity measured on-axis in half-space environment averaged 100 Hz – 10 kHz using recommended high-pass protection.
3. Maximum SPL calculated from sensitivity and power handling specifications, exclusive of power compression.
4. AES standard 2-hour duration with IEC system noise.
5. Bose Professional extended-lifecycle test using pink noise filtered to meet IEC268-5, 6-dB crest factor, 500-hour duration.

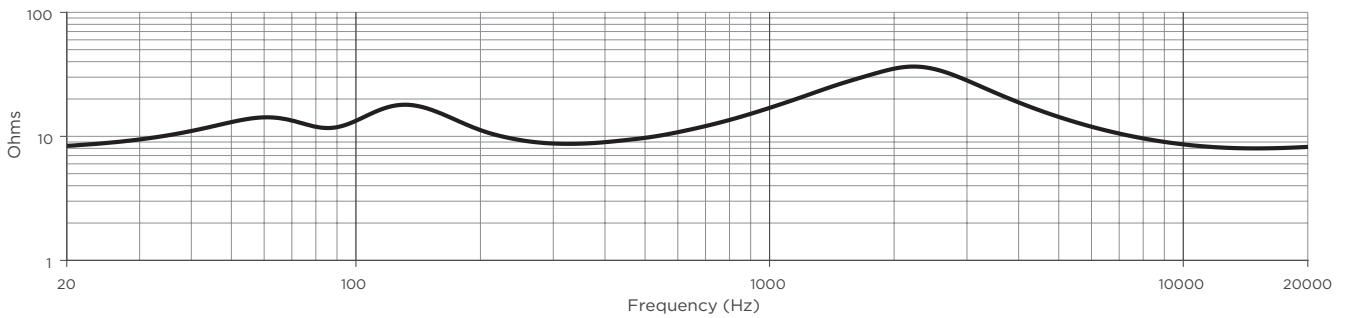
DesignMax DM3C

in-ceiling loudspeaker

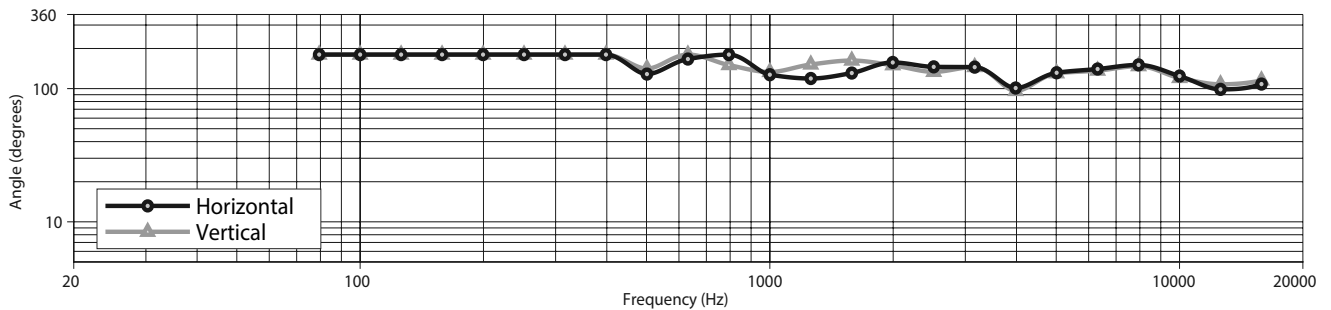
On-axis Response



Impedance



Beamwidth ⁶



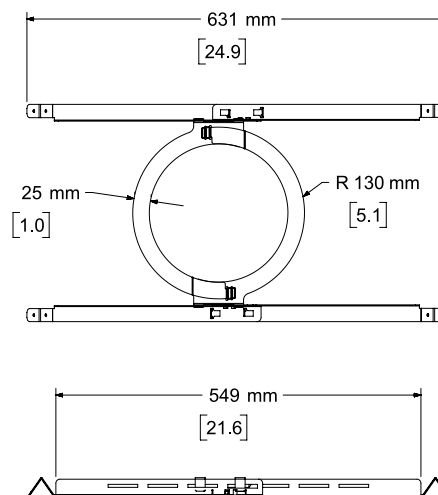
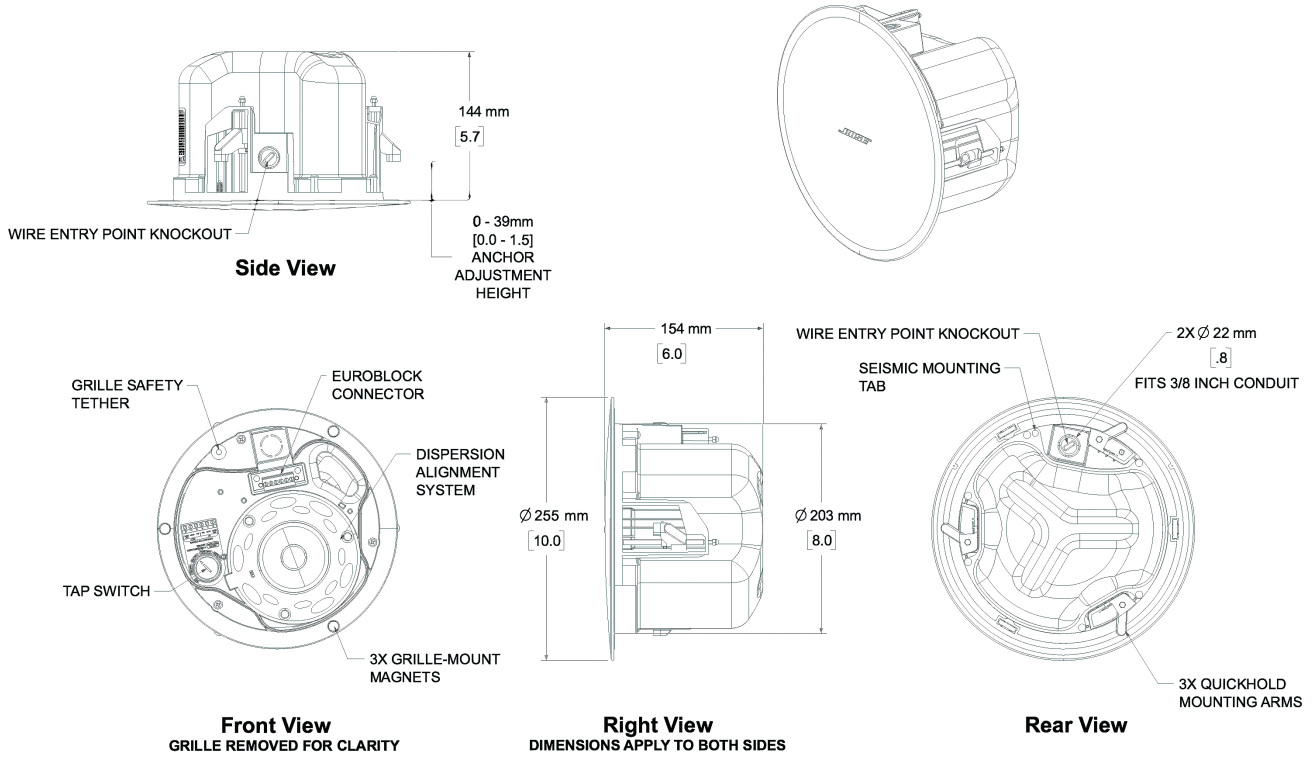
6. Measured in whole-space environment.

TECHNICAL DATA

DesignMax DM3C

in-ceiling loudspeaker

Dimensions⁷



7. Dimensions are shown in millimeters over inches.

©2025 Transom Post OpCo LLC. All rights reserved. DesignMax, QuickHold, and SmartBass are trademarks of Transom Post OpCo LLC. Bose is a trademark of Bose Corporation. All other trademarks are the property of their respective owners.

For additional specifications and application information, please visit BoseProfessional.com. Specifications subject to change without notice. 12/2025