

## Overview

---

Flexible wireless microphones system customized to your use case.



## Features

---

- Wireless system using 1.9 GHz, composed of access point, microphone, and charging station
- The access point supports 8 channels
- Available microphone formfactors: 6" (15 cm) gooseneck, 12" (30 cm) gooseneck, omnidirectional boundary, and cardioid directional boundary
- Approximately 20 hours of continuous microphone operation time using the included Li-ion battery
- Standard network audio support for "Dante"
- Utilizes one PoE+ network cable connection avoiding wiring problems and enabling audio control via Dante
- The Web UI Setup Wizard allows for effortless configuration, microphone pairing, audio routing, and other system management

## Specifications

1/5

### General Specifications

RM-WDR		
Description	Wireless Microphone	
Colour	Black	
Dimensions (W x D x H)	W 89.0 mm x D 89.0 mm x H 26.0 mm (including rubber feet)	
Weight	130 g (including battery)	
Directivity	Unidirectional	
Frequency Response	160 Hz - 16 kHz	
Sensitivity	-15.4 dBFS/Pa	
Power	Rechargeable Li-ion Battery 3.6 V 2350 mA/h. For Charge I/F: USB Type C, RM-WCH-8 Charger I/F (4pin)	
Maximum Power Consumption	5.0 V 0.7 A	
Battery	Talk Time	Approximately 20 hours
	Standby Time	7 days
	Charge Time	Full charging: 5 hours (80% charging: 3 hours)
In Operation	Temperature	0°C - 40°C
	Humidity	20% - 85% (no condensation)
In Charging	Temperature	5°C - 40°C
	Humidity	20% - 85% (no condensation)
Storage	Temperature	-20°C - 60°C
	Humidity	10% - 90% (no condensation)
Indicators	Mic (3 colours) x 1, Battery (3 colours) x 1	
Buttons	Mic x 1, Battery x 1, Pair x 1	
I/O	USB Type C (for battery charging) x 1, Charger I/F (4pin) x 1	
Accessories	Battery (RM-WBT) x 1, Owner's Manual x 1	
Options	Replacement Battery RM-WBT	

RM-WOM		
Description	Wireless Microphone	
Colour	Black	
Dimensions (W x D x H)	W 89.0 mm x D 89.0 mm x H 26.0 mm (including rubber feet)	
Weight	126 g (including battery)	
Directivity	Omnidirectional	
Frequency Response	160 Hz - 16 kHz	
Sensitivity	-14 dBFS/Pa	
Power	Rechargeable Li-ion Battery 3.6 V 2350 mA/h. For Charge I/F: USB Type C, RM-WCH Charger I/F (4pin)	
Maximum Power Consumption	5.0 V 0.7 A	
Battery	Talk Time	Approximately 20 hours
	Standby Time	7 days
	Charge Time	Full charging: 5 hours (80% charging: 3 hours)
In Operation	Temperature	0°C - 40°C
	Humidity	20% - 85% (no condensation)
In Charging	Temperature	5°C - 40°C
	Humidity	20% - 85% (no condensation)
Storage	Temperature	-20°C - 60°C
	Humidity	10% - 90% (no condensation)
Indicators	Mic (3 colours) x 1, Battery (3 colours) x 1	
Buttons	Mic x 4, Battery x 1, Pair x 1	
I/O	USB TypeC (for battery charging) x 1, Charger I/F (4pin) x 1	
Accessories	Battery (RM-WBT) x 1, Owner's Manual x 1	
Options	Replacement Battery RM-WBT	

## Specifications

2/5

RM-WGL		
Description	Wireless Microphone	
Colour	Black	
Dimensions (W x D x H)	W 89.0 mm x D 89.0 mm x 308.4 mm (including rubber feet and to center of gooseneck mic)	
Weight	152 g (including battery)	
Directivity	Unidirectional	
Frequency Response	160 Hz - 16 kHz	
Sensitivity	-20.0 dBFS/Pa	
Power	Rechargeable Li-ion Battery 3.6 V 2350 mA/h. For Charge I/F: USB Type C, RM-WCH Charger I/F (4pin)	
Maximum Power Consumption	5.0 V 0.7 A	
Battery	Talk Time	Approximately 20 hours
	Standby Time	7 days
	Charge Time	Full charging: 5 hours (80% charging: 3 hours)
In Operation	Temperature	0°C - 40°C
	Humidity	20% - 85% (no condensation)
In Charging	Temperature	5°C - 40°C
	Humidity	20% - 85% (no condensation)
Storage	Temperature	-20°C - 60°C
	Humidity	10% - 90% (no condensation)
Indicators	Mic (3 colours) x 1, Ring (3 colours) x 1, Battery (3 colours) x 1	
Buttons	Mic x 1, Battery x 1, Pair x 1	
I/O	USB Type C (for battery charging) x 1, Charger I/F (4pin) x 1	
Accessories	Battery (RM-WBT) x 1, Owner's Manual x 1	
Options	Replacement Battery RM-WBT	

RM-WGS		
Description	Wireless Microphone	
Colour	Black	
Dimensions (W x D x H)	W 89.0 mm x D 89.0 mm x H 171.2 mm (including rubber feet and to center of gooseneck mic)	
Weight	140 g (including battery)	
Directivity	Unidirectional	
Frequency Response	160 Hz - 16 kHz	
Sensitivity	-20.0 dBFS/Pa	
Power	Rechargeable Li-ion Battery 3.6 V 2350 mA/h. For Charge I/F: USB Type C, RM-WCH Charger I/F (4pin)	
Maximum Power Consumption	5.0 V 0.7 A	
Battery	Talk Time	Approximately 20 hours
	Standby Time	7 days
	Charge Time	Full charging: 5 hours (80% charging: 3 hours)
In Operation	Temperature	0°C - 40°C
	Humidity	20% - 85% (no condensation)
In Charging	Temperature	5°C - 40°C
	Humidity	20% - 85% (no condensation)
Storage	Temperature	-20°C - 60°C
	Humidity	10% - 90% (no condensation)
Indicators	Mic (3 colours) x 1, Ring (3 colours) x 1, Battery (3 colours) x 1	
Buttons	Mic x 1, Battery x 1, Pair x 1	
I/O	USB Type C (for battery charging) x 1, Charger I/F (4pin) x 1	
Accessories	Battery (RM-WBT) x 1, Owner's Manual x 1	
Options	Replacement Battery RM-WBT	

## Specifications

**3/5**
**RM-WAP-8**

Description		Microphone Accesspoint
Colour		White (paintable surface)
Dimensions (W x D x H)		W 171.2 mm x D 172.5 mm x H 42.8 mm
Weight		650 g (including mounting bracket)
Power Requirement		IEEE 802.3af (PoE Class 3)
Maximum Power Consumption		48 V 0.2 A
In Operation	Temperature	0°C - 40°C
	Humidity	20% - 85% (no condensation)
Storage	Temperature	-20°C - 60°C
	Humidity	10% - 90% (no condensation)
Indicators		Power (3 colours) x 1, Status (3 colours) x 1
Buttons		Reset x 1
Connector		RJ-45 (Dante Audio, Dante Control, Remote Control, PoE)
Audio I/O		Dante (1 in / 8 out)
Mount		Wall mount, Ceiling mount (with bracket), Flat placing
Maximum Device Number with RM-CR		2units (Connection with other than RM-CR is not limited to this device)
Accessories		Owner's Manual x 1, Mounting bracket x 1 *Screw for Mounting Bracket or Safety Wire are not included

**RM-WCH-8**

Description		Microphone Charger
Colour		Black
Dimensions (W x D x H)		W 304 mm x D 188 mm x H 41.5 mm (including rubber feet)
Weight		800 g
Material		Plastic
Power		DC IN (16 V, 2.4 A)
Maximum Power Consumption		16.0 V 2.0 A
In Operation	Temperature	0°C - 40°C
	Humidity	20% - 85% (no condensation)
In Charging	Temperature	5°C - 40°C
	Humidity	20% - 85% (no condensation)
Storage	Temperature	-20°C - 60°C
	Humidity	10% - 90% (no condensation)
Indicators		Activate (3 colours) x 1
Buttons		Activate x 1, Pair x 1
I/O		DC IN x 1
Accessories		Owner's Manual x 1, AC adapter x 1, Cable x 1 (for Japan and USA), x 3 (for Europe)

## Specifications

**4/5**

RM-WBT		
Description		Replacement Battery
Colour		Black
Dimensions (W x D x H)		H 11.15 mm x W 34.95 mm x D 52.5 mm
Weight		42 g
Voltage		3.6 V
Nominal Capacity		2350 mA/h
Maximum Charge Current		1.59 V
Maximum Charge Voltage		4.20 V
Maximum Discharge Current		2.30 A
In Operation	Temperature	0°C - 40°C
	Humidity	20% - 85% (no condensation)
Storage	Temperature	-20°C - 60°C
	Humidity	10% - 90% (no condensation)
Accessories		RM-WBT Safety Brochure x 1

## Specifications

5/5

### Network Specifications

RM-WAP-8

Ethernet	Dante, Remote Control, Web UI, PoE
Cable Requirements	CAT5e or higher (STP)

### Audio Specifications

Frequency Response		160 Hz - 16 kHz
Sampling Rate		48 kHz
Bit Depth		24 bit
Latency	RM-WDR/RM-WOM	110 ms nominal (with signal processing in High Quality mode)
	RM-WGL/RM-WGS	30 ms - 35 ms nominal (without signal processing in High Quality mode) 110 ms nominal (with signal processing in High Quality mode)
Audio I/O	Dante	1 in x 8/16 out
Maximum Input Level of SPL (0 dBFS)	RM-WDR	100.2 dB SPL
	RM-WOM	99.4 dB SPL
	RM-WGL	106.2 dB SPL
	RM-WGS	106.2 dB SPL
Self Noise	RM-WDR	-24.7 dBA SPL
	RM-WOM	-23.0 dBA SPL
	RM-WGL	-19.3 dBA SPL
	RM-WGS	-19.3 dBA SPL
SNR (Ref. 94 dB SPL at 1 kHz)	RM-WDR	118.7 dBA
	RM-WOM	117.0 dBA
	RM-WGL	113.3 dBA
	RM-WGS	113.3 dBA
Sensitivity	RM-WDR	-6.2 dBFS/Pa
	RM-WOM	-5.4 dBFS/Pa
	RM-WGL	-12.2 dBFS/Pa
	RM-WGS	-12.2 dBFS/Pa
Dynamic Range	RM-WDR	124.9 dBA
	RM-WOM	122.4 dBA
	RM-WGL	125.5 dBA
	RM-WGS	125.5 dBA
Signal Processing		AEC, Noise Reduction, De-reverberation, AGC, PEQ, Output Gain Adjustment

### Wireless Specifications

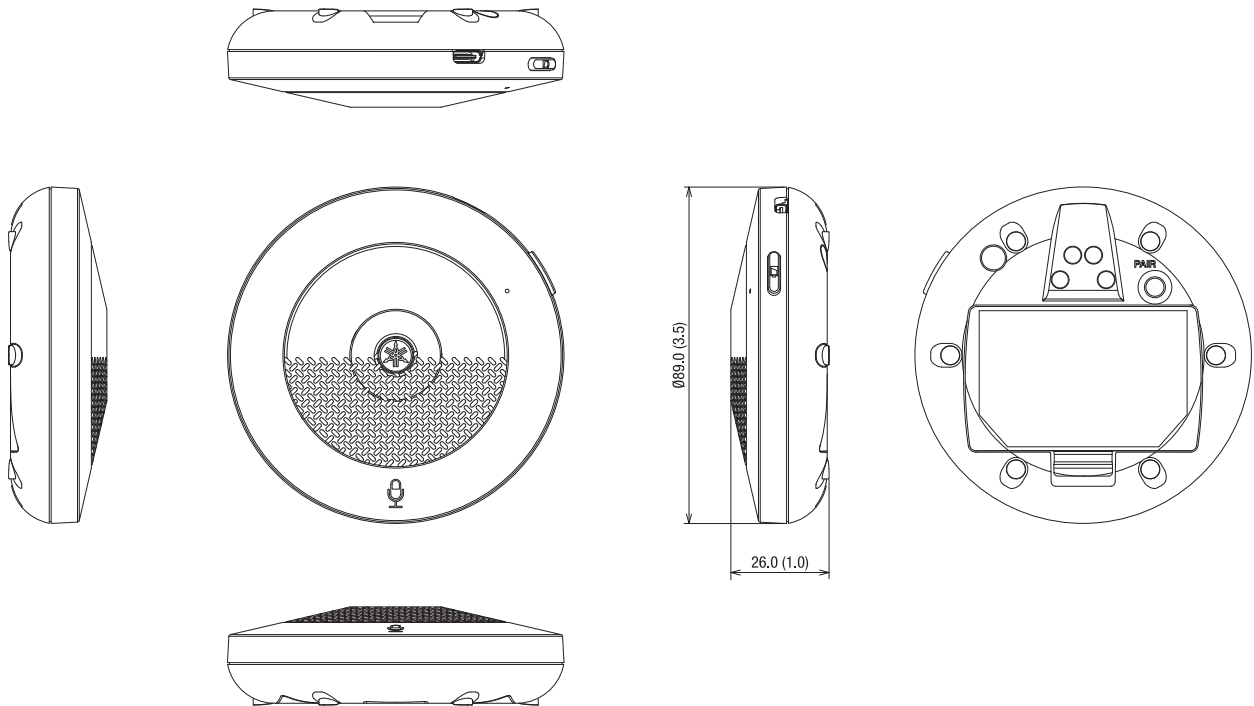
Radio Method	1.9 GHz DECT standard
Radio Frequency Range	USA, Canada: 1920.0 MHz - 1930.0 MHz Japan: 1893.5 MHz - 1906.1 MHz EU, Australia, New Zealand, Norway, UK: 1880.0 MHz - 1900.0 MHz
Maximum RF Power Level	USA, Canada: 23.5 dBm Japan: 26.5 dBm EU, Australia, New Zealand, Norway, Sweden, Finland, Denmark, UK: 26.5 dBm
Maximum Coverage Distance	50 m (depends on the usage environment)
Encryption	AES (256-bit)

**Dimensions**

**1/6**

Unit: mm (inch)

**RM-WDR**

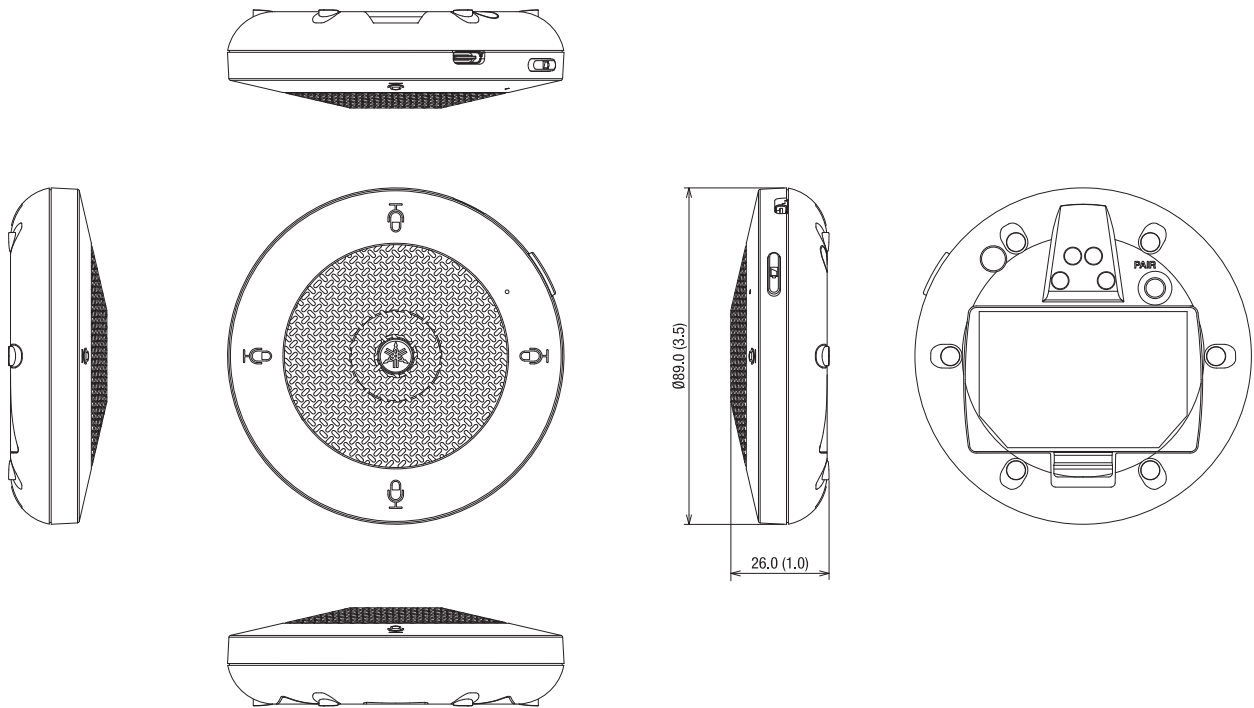


**Dimensions**

**2/6**

Unit: mm (inch)

**RM-WOM**



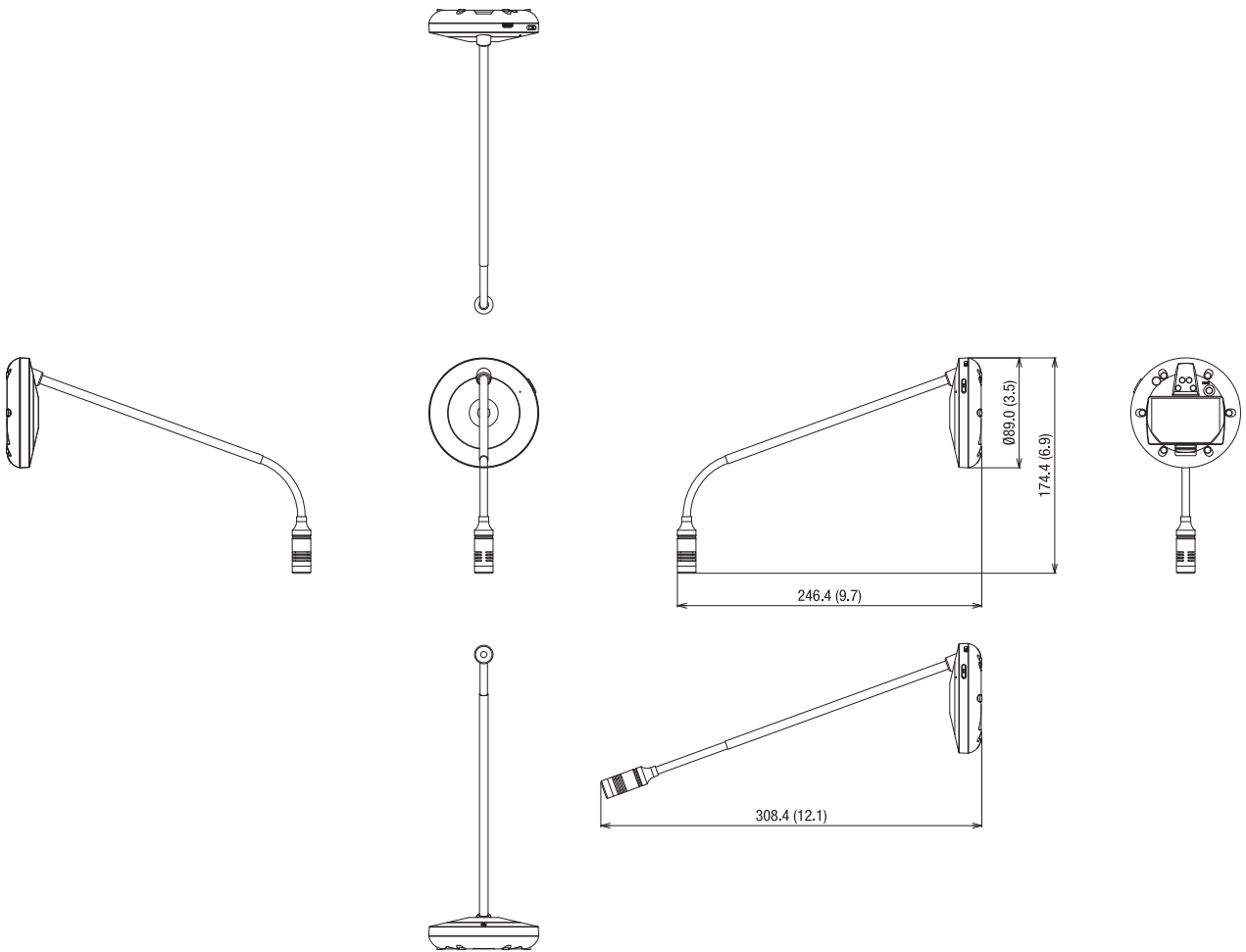


**Dimensions**

**3/6**

Unit: mm (inch)

**RM-WGL**

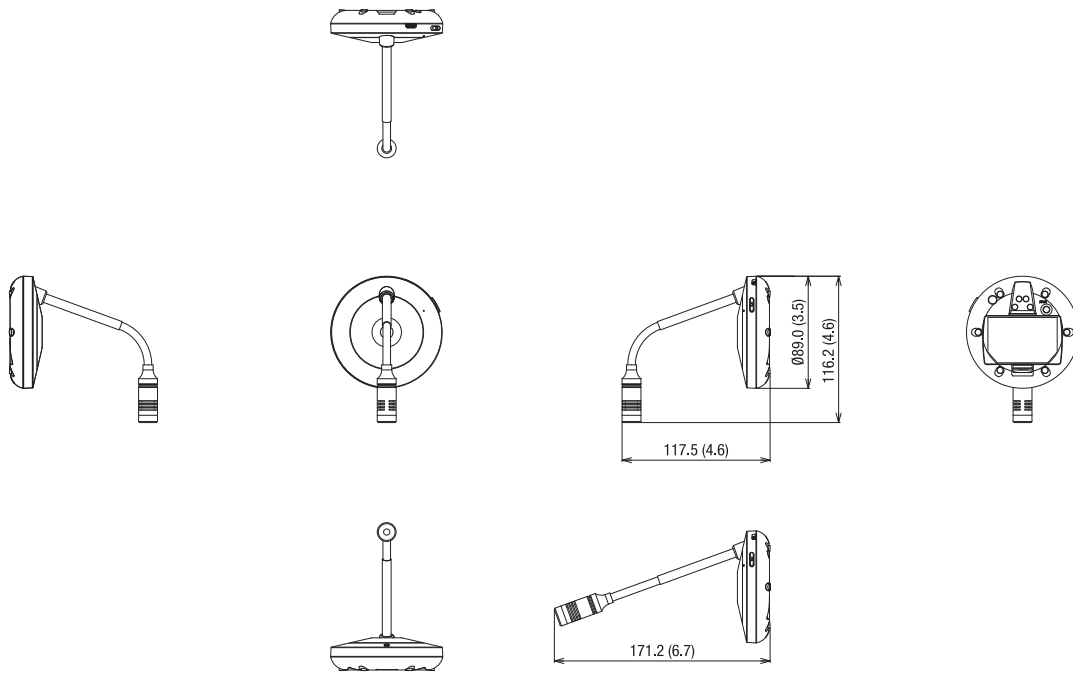


**Dimensions**

**4/6**

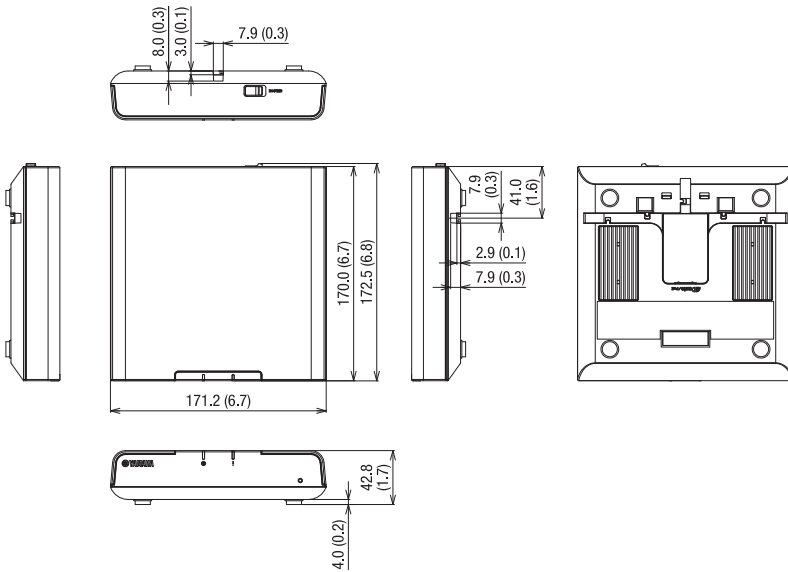
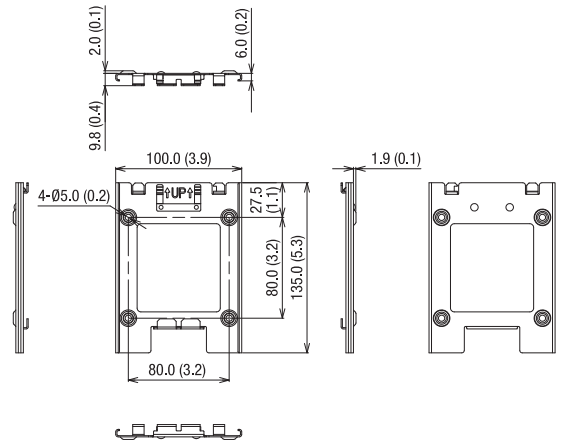
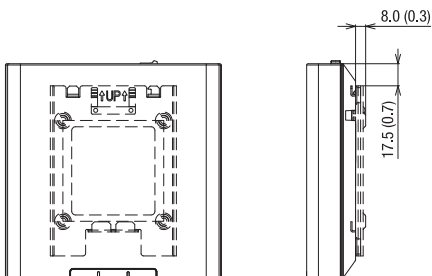
Unit: mm (inch)

**RM-WGS**



**Dimensions**
**5/6**

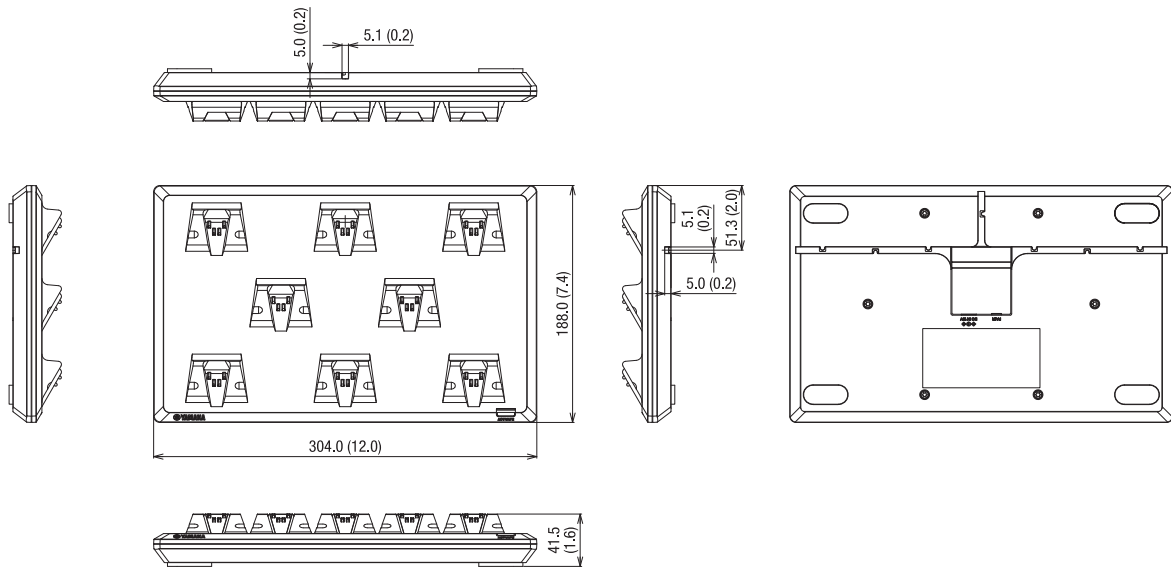
Unit: mm (inch)

**RM-WAP-8**
**Body**

**Bracket**

**Body + Bracket**


**Dimensions**

Unit: mm (inch)

**RM-WCH-8**

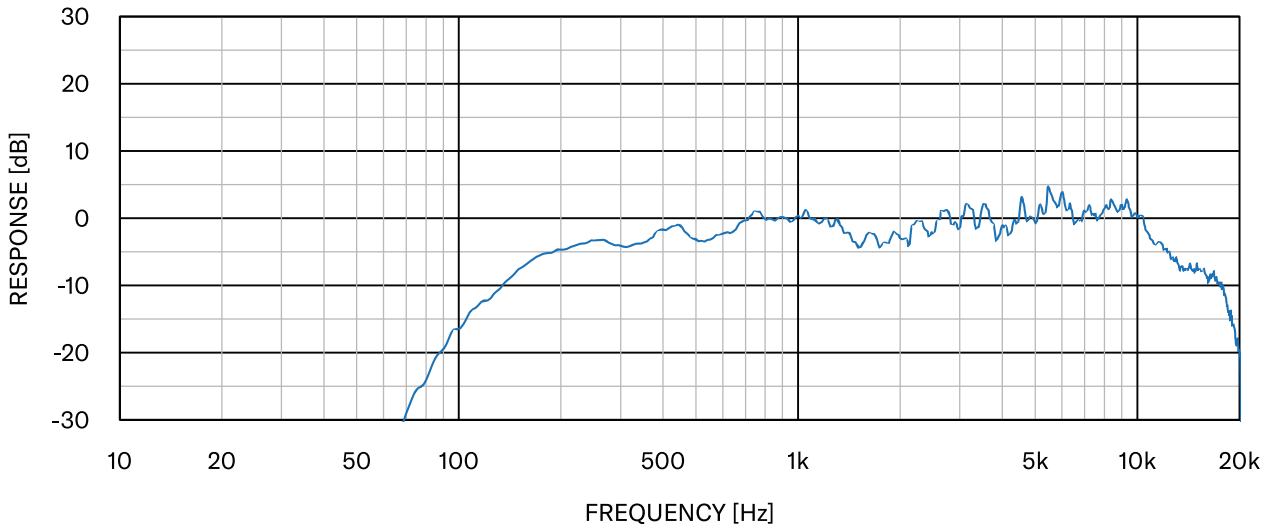


**Frequency Response**

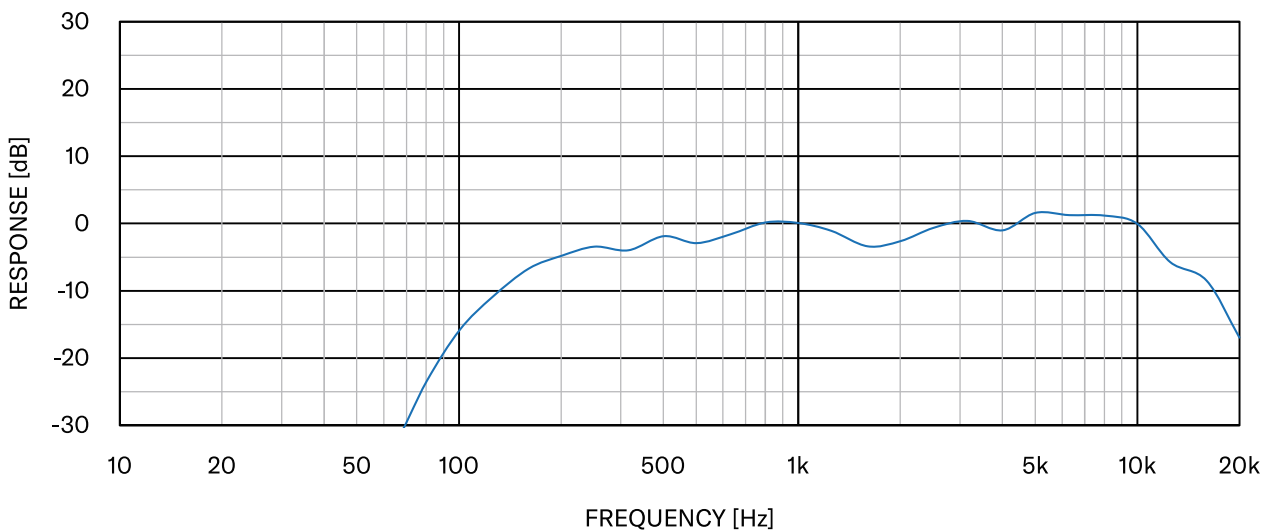
**1/4**

**RM-WDR**

LINEAR



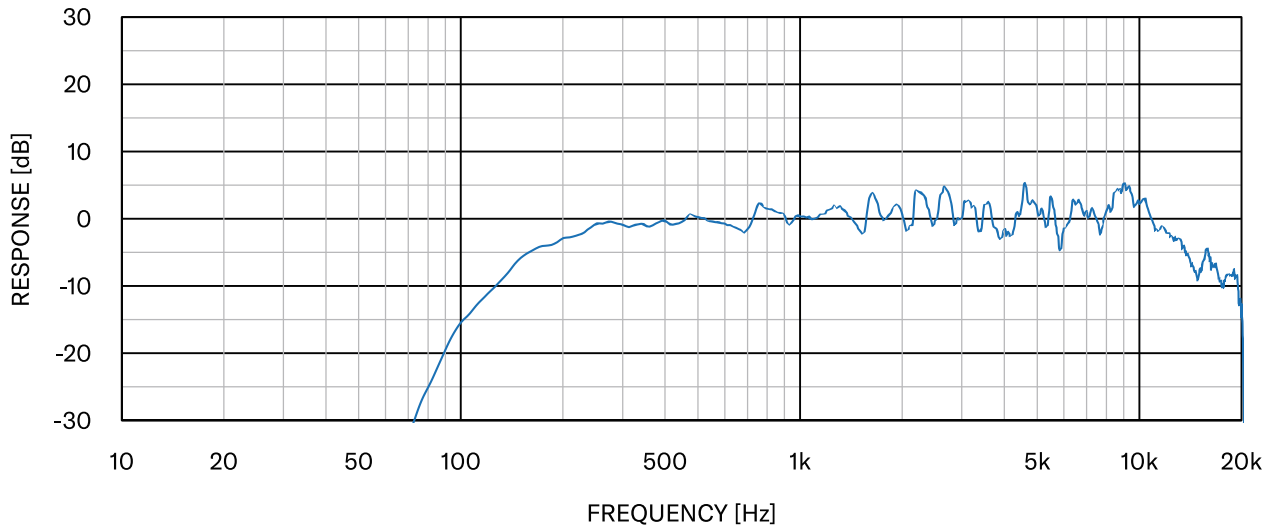
1/3 octave band



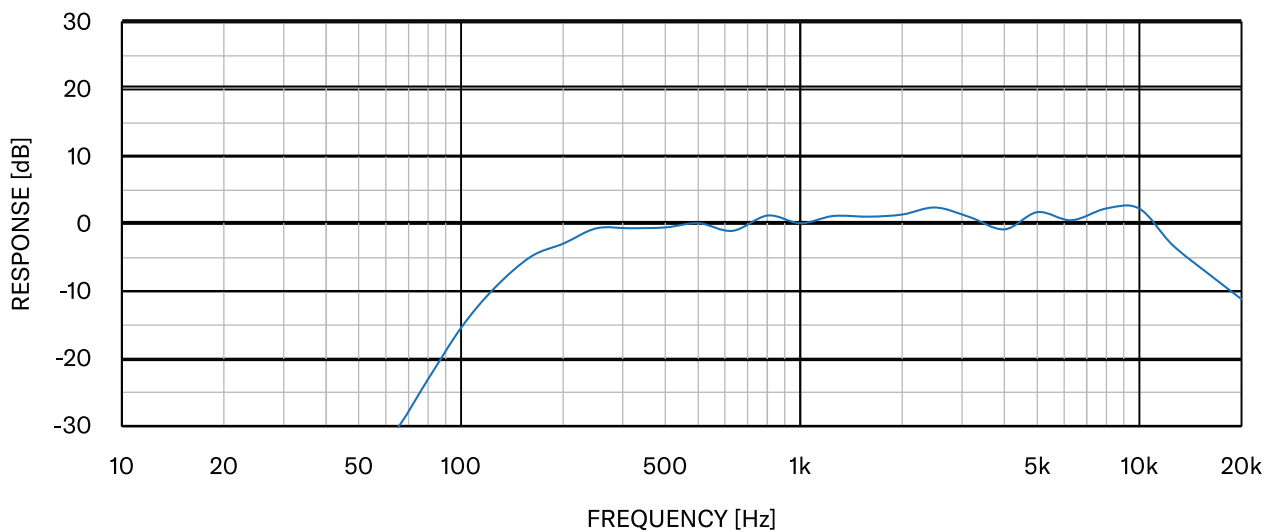
**Frequency Response**

RM-WOM

LINEAR



1/3 octave band

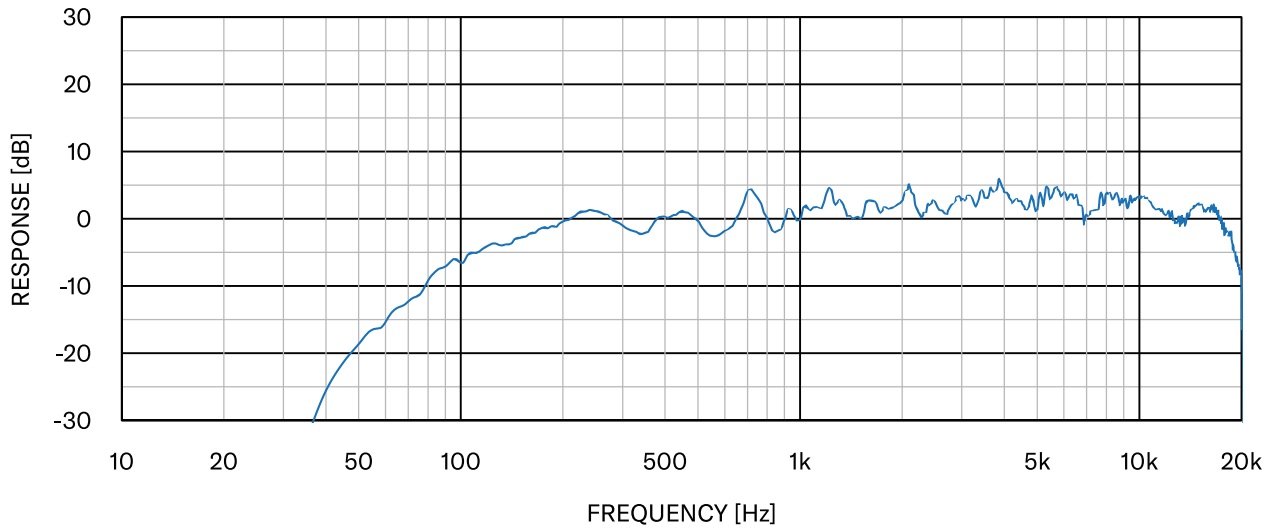


**Frequency Response**

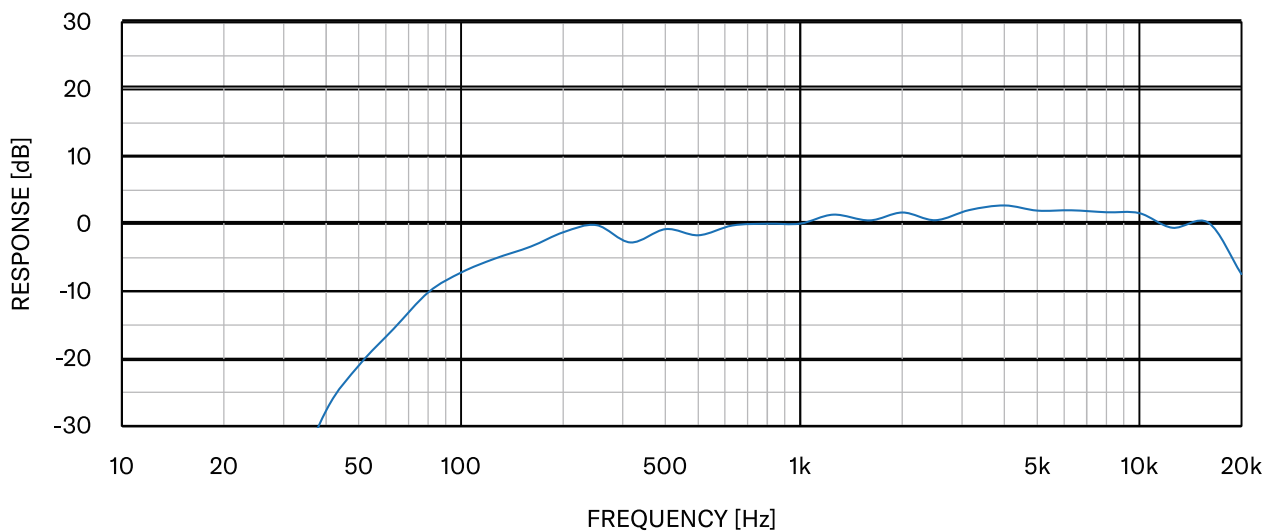
**3/4**

**RM-WGL**

LINEAR



1/3 octave band

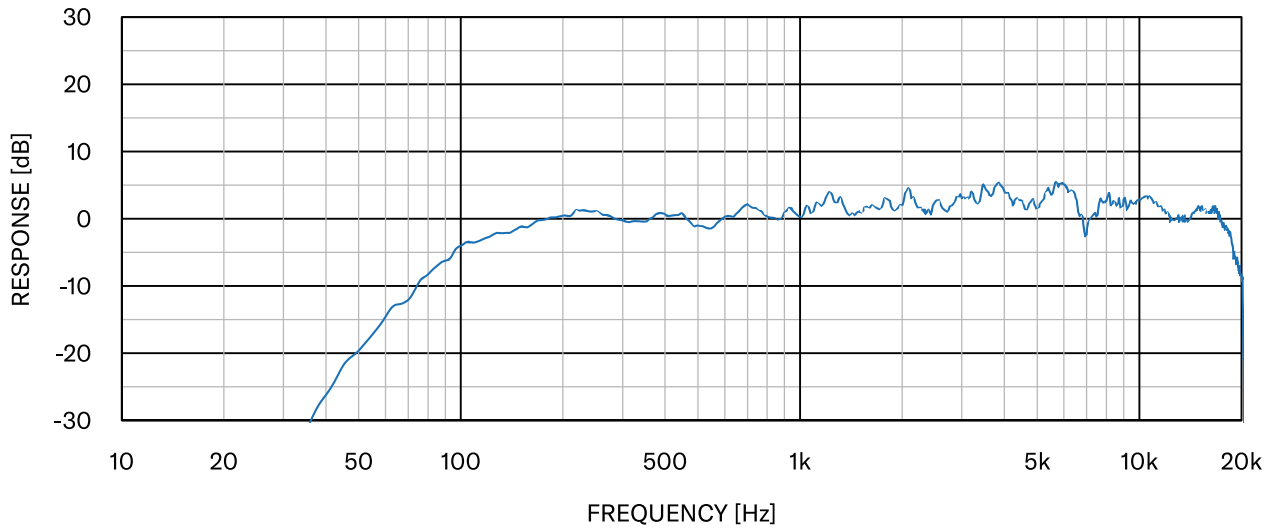


**Frequency Response**

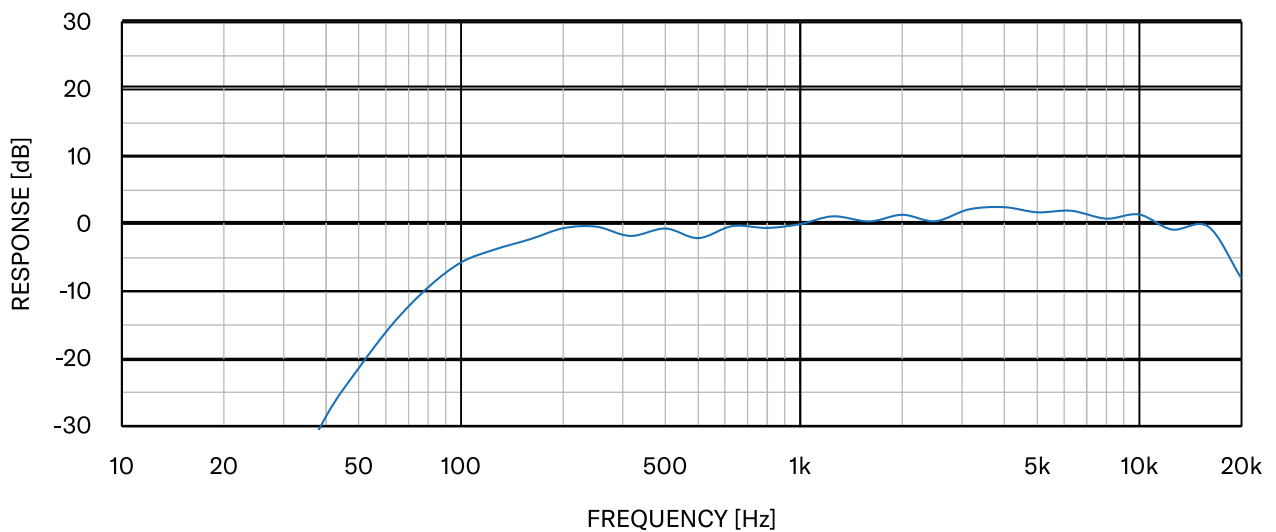
**4/4**

**RM-WGS**

LINEAR



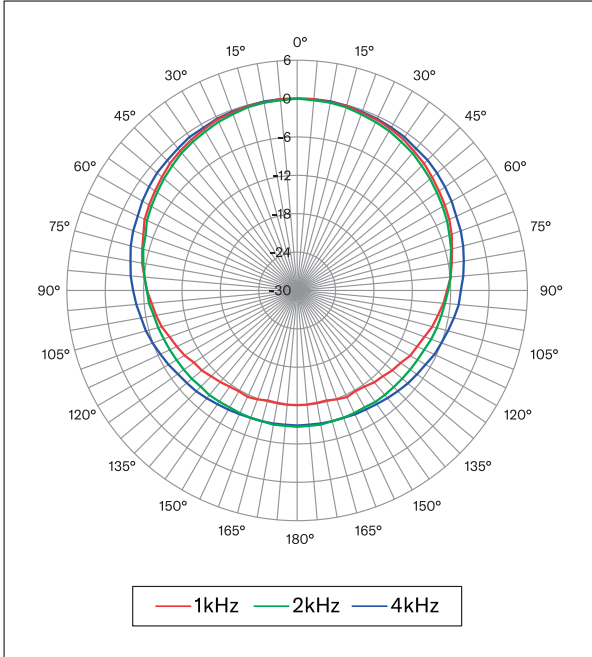
1/3 octave band



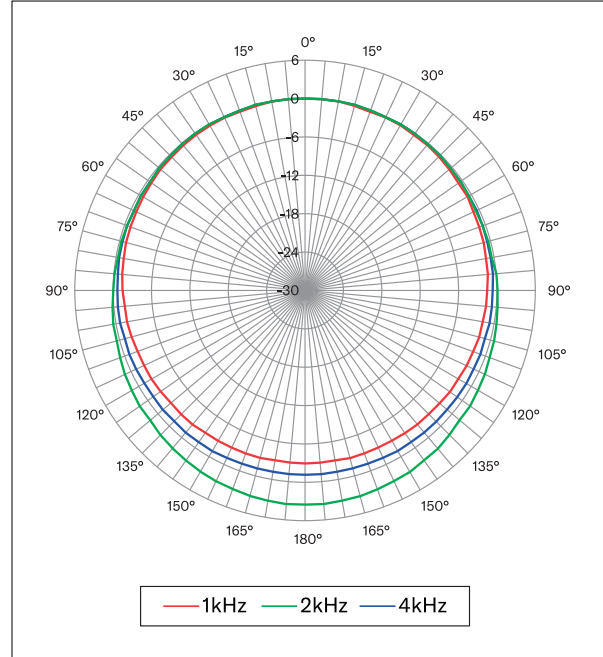


## Directional Characteristics

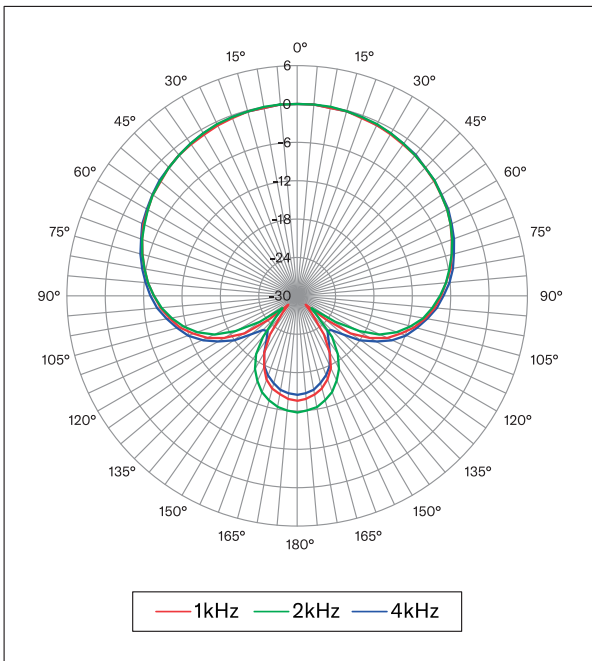
RM-WDR



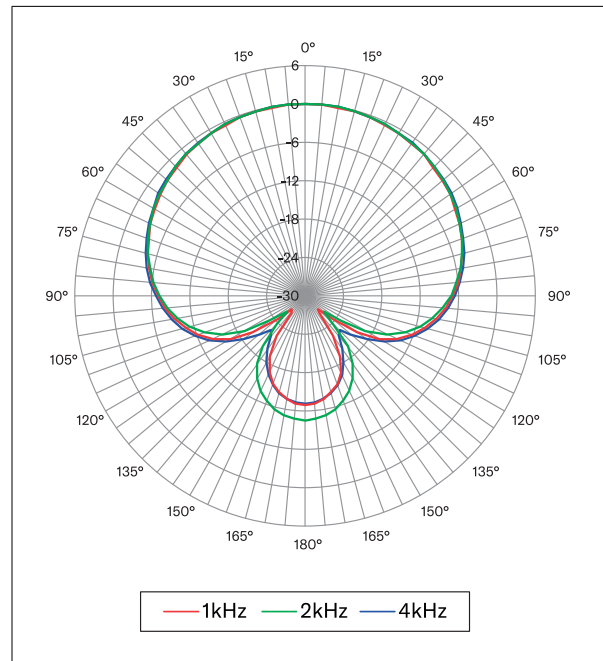
RM-WOM



RM-WGL



RM-WGS



\*All information subject to change without notice.  
 \*All trademarks and registered trademarks are property of their respective owners.  
 Created in February, 2022