

Catchbox

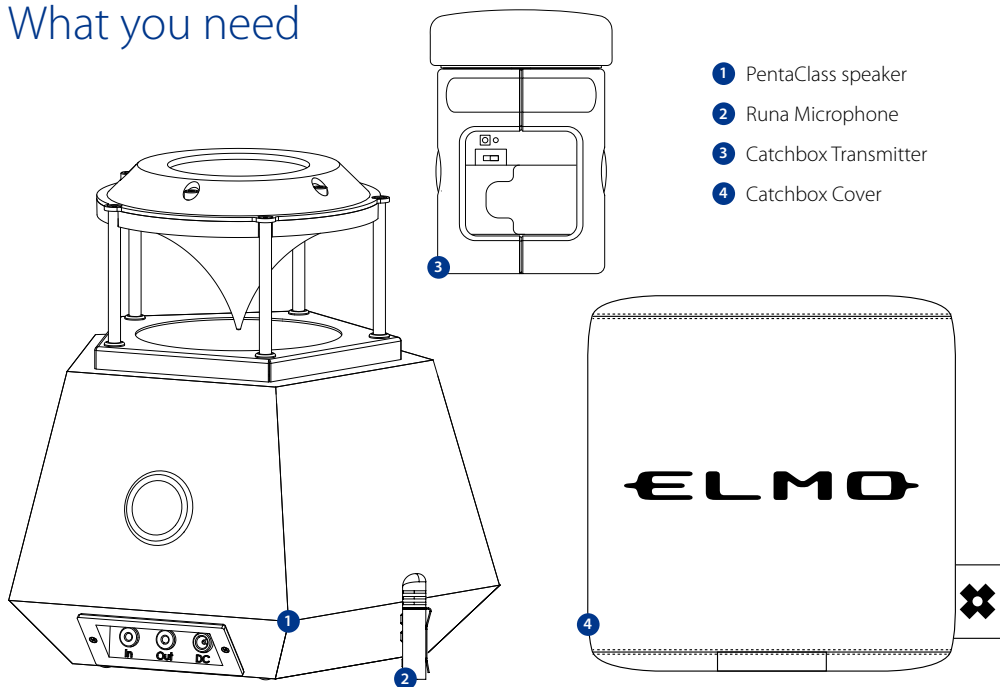
for

PentaClass

Pairing Catchbox with PentaClass

Instructions

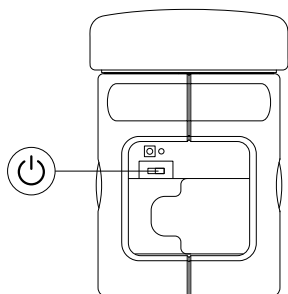
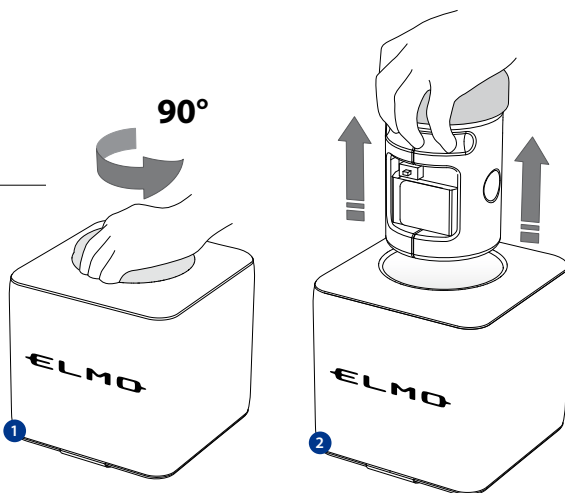
What you need



Instructions

1

Remove the Catchbox transmitter from the outer cover by twisting the cylinder 90 degrees and pulling upwards.

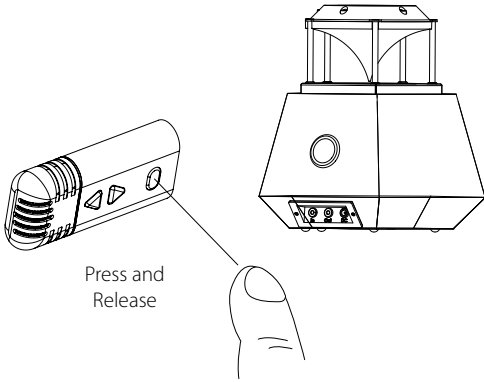


2

Turn on the Catchbox power switch.

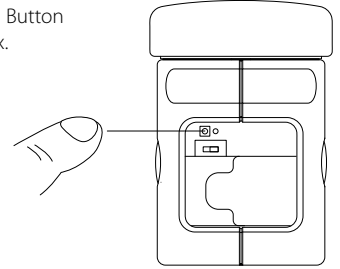
3

Turn on the PentaClass by pointing the bottom of the Runa microphone towards the PentaClass and pushing the oval button down one time.



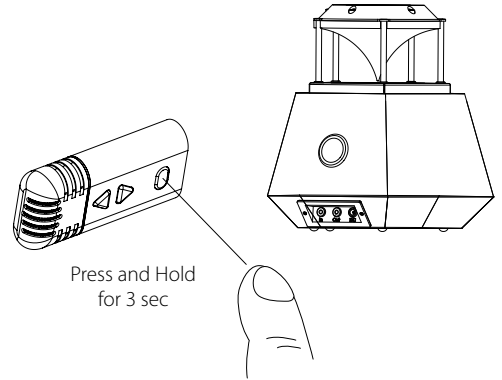
4

Press the Pairing Button on the Catchbox.



5

Within 10 seconds after pressing the Pairing Button on the Catchbox point the bottom of the Runa towards the PentaClass and hold the oval button for 3 seconds.



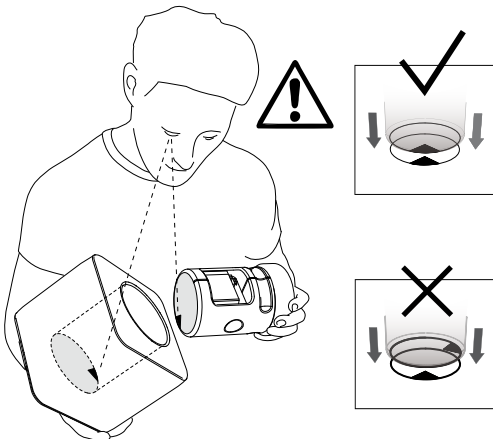
i

The indicator light on the top of the PentaClass will glow purple for a second and then you will hear 3 beeps and the light will turn yellow.

Now both the Catchbox and Runa Microphone should be paired and working.

6

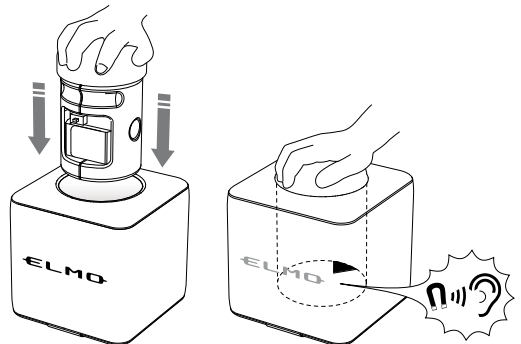
Place the Catchbox transmitter into the cover making sure to align the magnetic locking mechanism so it is secure. Use the visual marks for guidance.



i

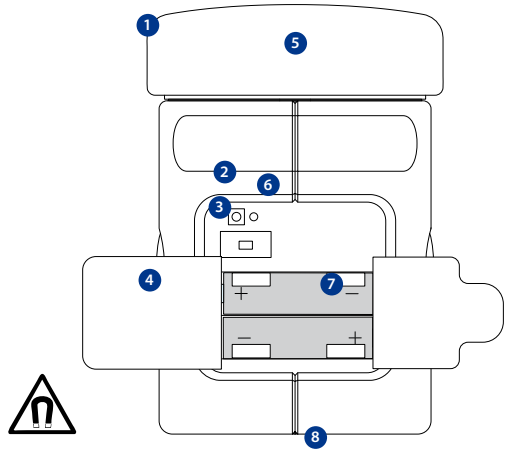
When you are finished using the CatchBox be sure to turn it off using the power switch, otherwise the batteries could be dead when you want to use it next.

Once the Catchbox has been paired with the PentaClass you don't need to press the pairing button again. Just turn on the Catchbox while the Runa microphone is connected to the PentaClass.



Catchbox 2.4 Transmitter

- 1 Foam Cap
- 2 Pairing Button
- 3 Power Switch
- 4 Velcro Straps
- 5 Microphone element
- 6 Status LED
- 7 Battery Compartment
- 8 Magnetic Lock



GENERAL SPECIFICATIONS

Frequency band	2.4 GHz ISM band
Operation range	Up to 30 m / 100 ft (Line of Sight)
Audio frequency response	50-10000 Hz
System latency (audio in to audio out)	20 ms
Operating temperature range	0-50 degrees Celsius 32-122 degrees Fahrenheit

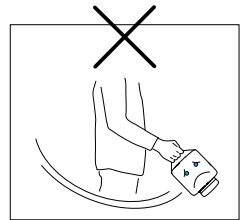
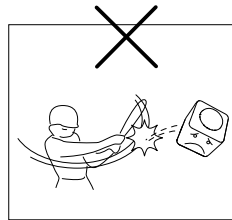
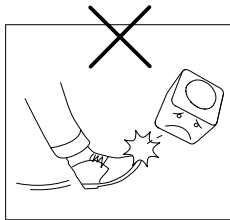
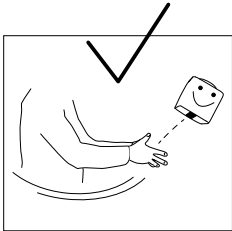
TRANSMITTER SPECIFICATIONS

Weight	165 g / 5.8 oz (with batteries)
Dimensions (without antennas)	16 cm x 11.5 cm / 6.3 in x 4.5 in
Power supply	2xAA (LR6) alkaline
Audio out	>8 hours (with alkaline batteries)

TRANSMITTER STATUS LED MEANING

Off	The transmitter is not powered
Blinking green (---- ---- ---- ----)	The transmitter is not paired to a receiver
Blinking green rapidly (- - - - -)	The transmitter is attempting to pair to a receiver
Green on	The transmitter is on and is paired to a receiver
Red	The transmitter is low on battery (less than 2 hours operating time left)

ELMO Catchbox is designed to be used exclusively with ELMO PentaClass ABM.



www.elmoussa.com