

SL DI 4 XLR

Analog to digital audio converter Product specification

FEATURES

- 4 XLR balanced and RF filtered mic/line inputs
- Gain is individually adjustable per channel via software
- 802.3af compliant PoE powered to work with any compliant PoE network switch, or an external +12 V DC supply
- +48 V phantom power - powers virtually all types of phantom powered microphones typically used in installed AV systems. Phantom power is switchable per channel via software
- ID LED allows easy identification of the SL DI 4 XLR
- Dante™ Daisy Chaining allows multiple SL DI 4 XLRs to be connected over a single home-run to the Ethernet switch

The **SL DI 4 XLR** four input Dante™ preamp is the ideal interface for wireless microphone receivers and adding mic/line inputs to a Dante™ system. The small form factor of the SL DI 4 XLR allows them to be mounted almost anywhere, putting them close to audio sources and minimizing interference-prone analog wiring.

The SL DI 4 XLR features four balanced mic/line inputs, each with software selectable +48 V phantom power and different gain levels. Front panel indicators show each channel's gain and phantom power status for easy troubleshooting. The SL DI 4 XLR has two network connections to allow Dante™ Daisy Chaining. Dante™ Daisy Chaining further simplifies system infrastructure wiring by allowing multiple SL DI 4 XLRs to use a single CAT 5 home run connection to a network switch. Power can also be daisy chained. The SL DI 4 XLR is powered by either external +12 V DC or any PoE network switch. All adjustable parameters, like mic/line gain and phantom power, are software controlled.



ARCHITECT'S SPECIFICATION

The unit shall be a Dante™ interface for use with Sennheiser SpeechLine microphone receivers and shall be designed to add analog mic/line inputs to a Dante™ system.

The unit shall feature four balanced and RF filtered mic/line inputs on female XLR-3 connectors. Gain settings of 0 dB, +15 dB, +30 dB, and +45 dB, as well as a 10 dB pad and a +48 V phantom power option shall be provided for each input and shall be software selectable. The unit's front panel shall feature status LEDs indicating gain/pad settings and phantom power status for each of the four inputs.

The unit shall provide two RJ-45 Ethernet connectors to allow Dante™ daisy chaining (DDC) of multiple units. The internal analog-to-digital signal conversion shall be performed at 24-bit resolution with a sampling rate of 48 kHz. Transmission speed shall be 100 Mbps.

Audio frequency response shall range from 20 – 20,000 Hz. Input impedance shall be > 1.8 kΩ at any gain setting. Equivalent input noise shall be -113 dBu. Maximum input levels (without 10 dB pad) shall be +8 dBu @ 0 dB gain, -7 dBu @ +15 dB gain, -22 dBu @ +30 dB gain, and -36 dBu @ +45 dB gain. With the pad engaged, maximum input levels shall be 10 dB higher. The system THD plus noise shall be < 0.02 % at any gain setting (input signal 3 dB below maximum).

The unit shall be powered over the CAT5 Ethernet cable from an 802.3af PoE compliant network switch or from an external +12 V DC power supply. The unit shall support daisy chaining of two units when powered via PoE and shall accept daisy chaining of up to three units when powered via an external +12 V DC power supply. Power consumption shall be 2.7 W (225 mA) @ +12 V DC without phantom power and 5.5 W (460 mA) @ +12 V DC with a 10 mA phantom power load per input.

The unit shall have a rugged metal housing with integrated mounting brackets; dimensions (W x H x D) shall be 219 x 38 x 120 mm (8.63" x 1.50" x 4.74"). Weight shall be 0.77 kg (1.7 lbs). Operating temperature shall range from 0 °C to 40 °C (32 °F to 104 °F).

The unit shall be compatible with Sennheiser software for flexible control and monitoring in system applications.

The unit shall be the Sennheiser SL DI 4 XLR.

SPECIFICATIONS

Audio Inputs

Input type	Balanced and RF filtered
Gain	0 dB, +15 dB, +30 dB, +45 dB, software selectable 10 dB pad, software selectable
Input impedance	>1.8 K Ω @ any gain
Maximum input levels	+18 dBu @ 0 dB gain, with pad +8 dBu @ 0 dB gain, no pad -7 dBu @ +15 dB gain, no pad -22 dBu @ +30 dB gain, no pad -36 dBu @ +45 dB gain, no pad
Phantom power	+48 V, 10 mA per input, software selectable

Audio performance

EIN	-113 dBu
System THD+N	<0.02 % @ any gain input signal 3 dB below maximum
Frequency response	20 Hz - 20 kHz

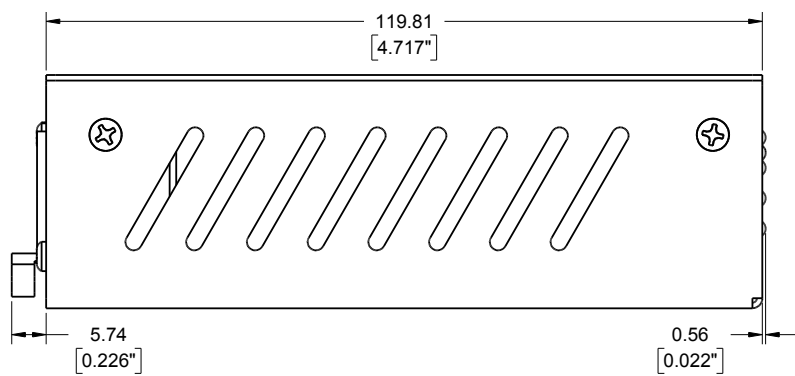
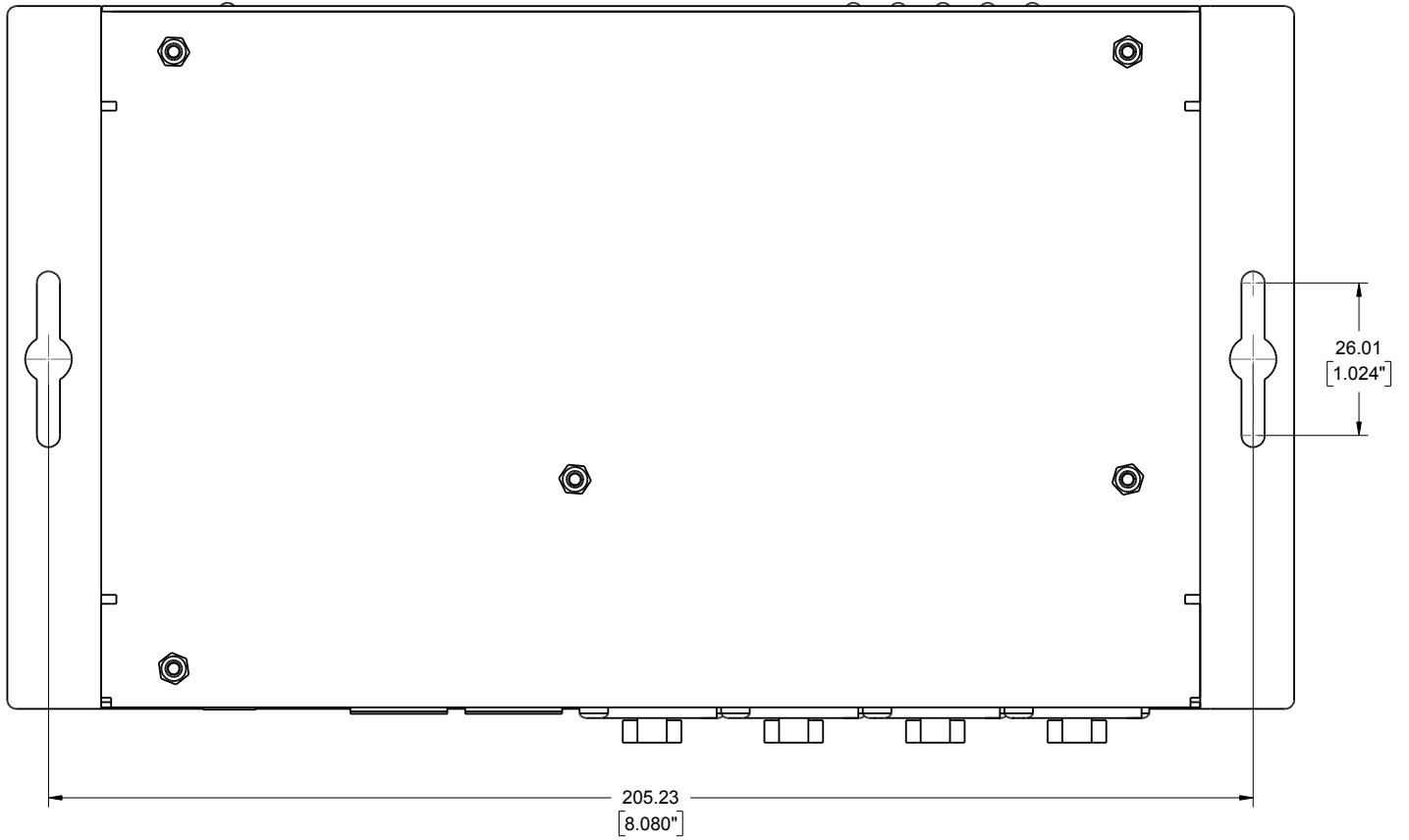
Dante™ network

Physical level	Standard Ethernet
Connector	Single RJ-45
Cable quality	CAT-5
Transmission speed	100 Mbps
Daisy chain	2 units when powered by 802.3af PoE 3 units when powered by external +12 V DC power supply (Sennheiser NT 12-50CS)

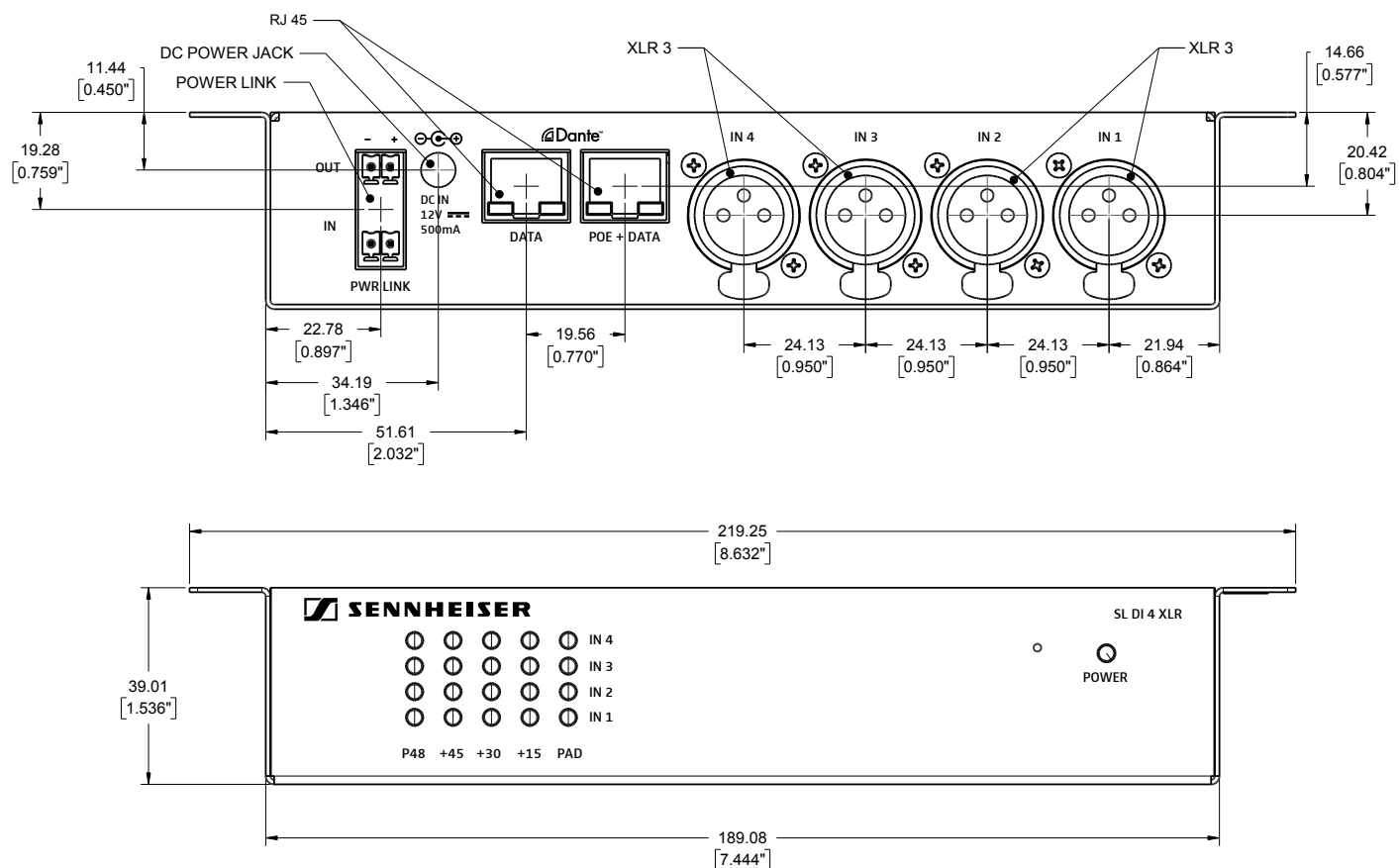
Product properties

Power requirements	Class 0 802.3af PoE PD compliant +12 V DC
Power consumption	2.7 W (225 mA) @ +12 V DC, no phantom power 5.5 W (460 mA) @ +12 V DC, 10 mA phantom power load per input
Dimensions (W x H x D)	219 x 38 x 120 mm (8.63" x 1.50" x 4.74")
Weight	0.77 kg (1.7 lbs)
Operating temperature	0 °C - 40 °C (32 °F - 104 °F)

DIMENSIONS



DIMENSIONS



PRODUCT VARIANTS

SL DI 4 XLR

Art. No. 506848