



# SpeechLine Digital Wireless SL Tablestand 133-S DW

## FEATURES

- Easy wireless charging
- Clear battery life indication via dedicated battery status LEDs
- Compatible with all Sennheiser XLR-3 goosenecks for all speech and lecture applications
- Mute button for convenient use
- Can be remote controlled with Sennheiser Control Cockpit

The wireless SL Tablestand 133-S DW is dedicated to speech. Because of its compatibility with all Sennheiser XLR-3 gooseneck microphones, the wireless tablestand is optimized for podium discussions, speeches and lectures.

Being independent from any cables, the SL Tablestand 133-S DW offers a highly flexible solution for users.

The SL Tablestand 133-S DW can either be charged wirelessly or via USB. The wireless charging base CHG 2W for two mobile devices is available separately. The SL Tablestand 133-S DW comes with rechargeable accupack with up to 11 hours of operating time.

It can be monitored and controlled with the Sennheiser Control Cockpit.

## SPECIFICATIONS

AF frequency response	75 to 20,000 Hz
Max. input level	1.7 V RMS
Input impedance	30 k $\Omega$
Power supply	BA 40 accupack (Li Ion 3.6 V)
Operating time	Accupack: typ. 11 h
Relative humidity	max. 95 %
Dimensions	166.7 x 120.2 x 47.9 mm (6.56" x 4.73" x 1.88")
Weight	approx. 660 g (without accupack)
Operating temperature	10 °C to 45 °C (50 °F to 113 °F)



## DELIVERY INCLUDES

- SL Tablestand 133-S DW
- Quick Guide
- Safety Guide

## ARCHITECT'S SPECIFICATION

The wireless tablestand shall be designed for use with all Sennheiser XLR-3 gooseneck microphones and be optimized for podium discussions, speeches and lectures. The tablestand shall be powered by one Sennheiser Lithium-Ion rechargeable accupack with a typical operating time of 11 hours and shall support wireless charging as well as charging via USB. In addition, the tablestand shall be capable of being remotely controlled and monitored via the Sennheiser Control Cockpit software.

The tablestand shall feature a 3-pin XLR socket for connection of XLR-3 gooseneck microphones. RF output power shall be adaptive and up to 250 mW (country-specific). The AF frequency response shall range from 75 – 20,000 Hz. The maximum input level shall be 1.7 Vrms and input impedance shall be 30 k $\Omega$ . The tablestand shall have automatic sensitivity adjustment.

Dimensions shall be 166.7 x 120.2 x 47.9 mm (6.56" x 4.73" x 1.88"). Weight (without accupack) shall be approximately 660 grams. Operating temperature shall range from 10 °C to 45 °C (50 °F to 113 °F).

The tablestand shall be the Sennheiser SL Tablestand 133-S DW.



# SpeechLine Digital Wireless SL Tablestand 133-S DW

## PRODUCT VARIANTS

SL Tablestand 133-S DW-3 B

Art. No. 506610

black

**-3 EU variant**

1,880 to 1,900 MHz

**Europe & UK, India, Indonesia, Hong Kong, Singapore,  
Malaysia, Australia**

SL Tablestand 133-S DW-4 B

Art. No. 506626

black

**-4 US variant**

1,920 to 1,930 MHz

**USA, Canada, Latin America**

SL Tablestand 133-S DW-5 B

Art. No. 506649

black

**-5 US variant**

1,893 to 1,906 MHz

**Japan**

SL Tablestand 133-S DW-6 B

Art. No. 506639

black

**-6 US variant**

1,880 to 1,895 MHz

**Taiwan**

SL Tablestand 133-S DW-7 B

Art. No. 506966

black

**-7 BR variant**

1,910 to 1,920 MHz

**Brazil**

## ACCESSORIES

**MEG 14-40 B**

Art. No. 504791

**MZH 3015**

Art. No. 005074

**MZH 3040**

Art. No. 005076

**MZH 3042**

Art. No. 009384

**ME 34, black**

Art. No. 005060

**ME 34, white**

Art. No. 005061

**ME 35, black**

Art. No. 005063

**ME 35, white**

Art. No. 005064

**ME 36, black**

Art. No. 005065

**ME 36, white**

Art. No. 005066

**CHG 2W**

Art. No. 506805

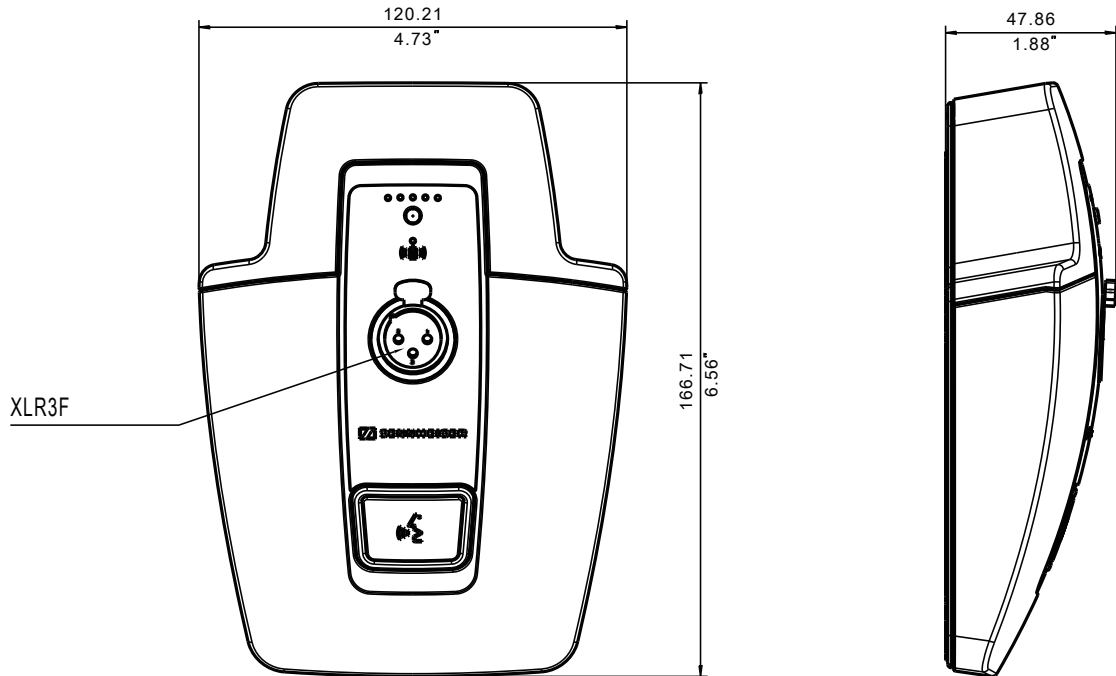
**BA 40**

Art. No. 506656

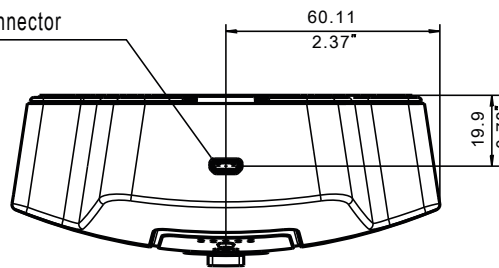


# SpeechLine Digital Wireless SL Tablestand 133-S DW

## DIMENSIONS



USB2 Micro-USB-B Buchse /  
USB2 micro USB-B connector



Zentrum drahtlose  
Energieübertragung  
center wireless charging

