

# SL Bodypack DW

Bodypack  
Transmitter

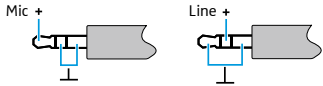
## FEATURES

- Automatic frequency and interference management
- Lockable 3.5 mm jack socket
- Clear and easy focused user interface
- Long operation time (up to 15 hours)
- Advanced power management and Li-Ion rechargeables
- Secure 256 bit AES encryption
- Remote controllable



The compact but robust **SL Bodypack DW** is optimized for speech in presentations or lectures where every word matters. It is compatible with all Sennheiser microphones such as SL Headmic 1 or MKE 1. Thanks to bi-directional communication between transmitter and receiver, no settings need to be adjusted on the transmitter. The automatic frequency and interference management allows convenient and reliable operation. The LC display provides the link name, battery status and reception quality. The easy-to-access mute-slider makes the use of the microphone very convenient. The SL Bodypack DW comes with a rechargeable Li-Ion battery with external charging contacts - for easy charging with the CHG 2 - and a USB socket.

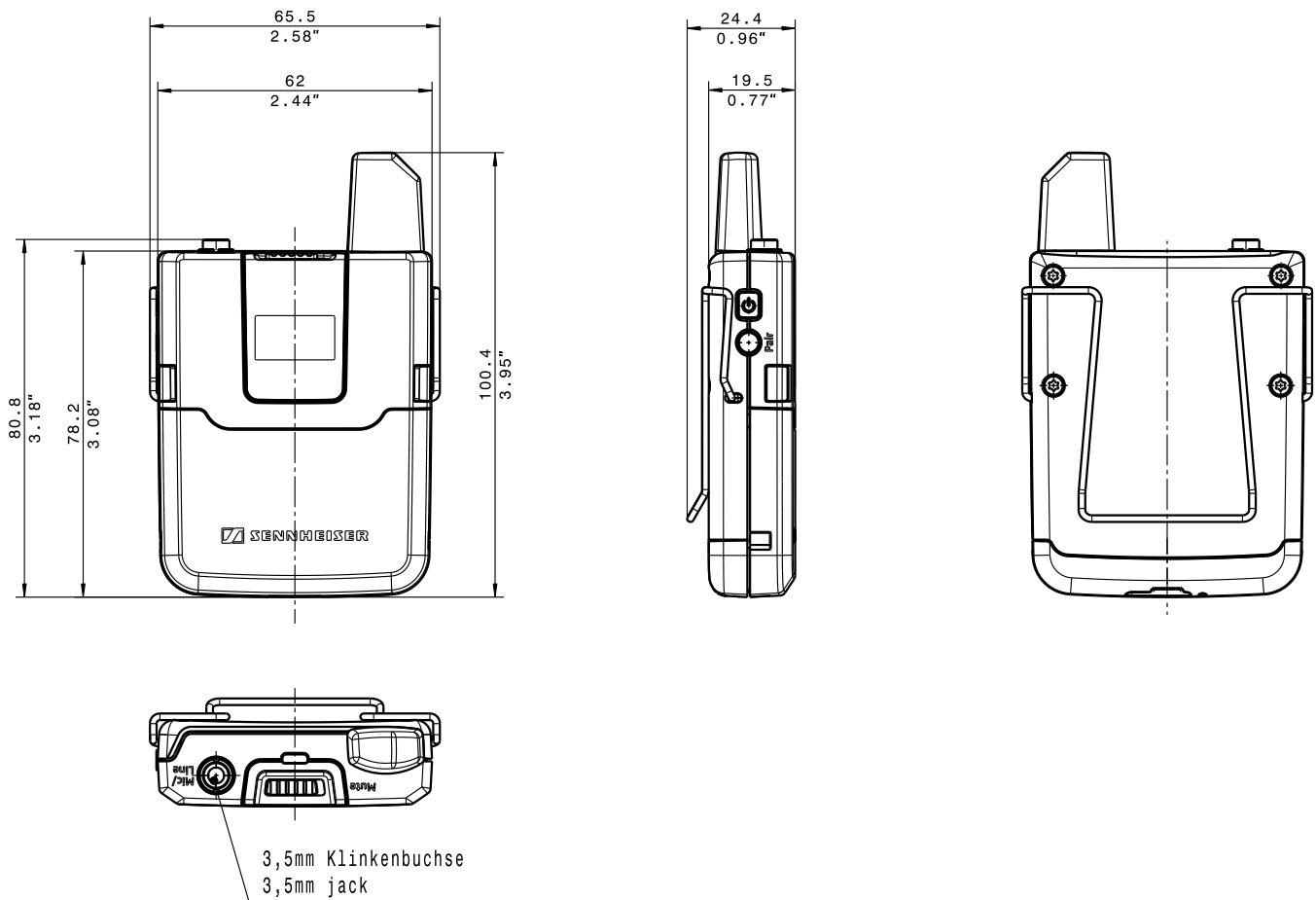
## SPECIFICATIONS

AF frequency response	20 to 20,000 Hz	RF output power	adaptive, up to 250 mW (country-specific)
Dynamic range	> 120 dB(A)	AF frequency response	Mic: 50 to 20,000 Hz Line: 20 to 20,000 Hz
THD (1 kHz)	typ. 0.1 %	Max. input level	Mic: 2.2 V RMS Line: 3.3 V RMS
Audio sampling	24 bit/48 kHz	Line input impedance	1 M $\Omega$
Signal-to-noise ratio	> 90 dB(A)	Input sensitivity	automatic sensitivity adjustment
Encryption	AES 256	Power supply	Accupack: BA 30 (Li-Ion, 3.7 V) Batteries*: 2 x AA size battery (1.5 V)
RF frequency ranges	EU: 1,880 to 1,900 MHz USA: 1,920 to 1,930 MHz Brazil: 1,910 to 1,920 MHz Taiwan: 1,880 to 1,895 MHz Japan: 1,893 to 1,906 MHz	Operating time	Accupack typ. 15 h Batteries*: typ. 11 h
Modulation	GFSK with back channel	AF connection socket	3.5 mm jack socket, lockable
Transmission method	TDMA, space diversity		
Latency	19 ms	Weight (w/o accupack)	approx. 88 g
Relative air humidity	max. 95 %		
Temperature range*	Operation: -10 °C to 55 °C (14 °F to 131 °F) Storage: -20 °C to 70 °C (-4 °F to 158 °F)		

\* The temperature range is influenced by the battery characteristics

\* optional accessory

## DIMENSIONS



## ARCHITECT'S SPECIFICATION

The bodypack transmitter shall be for use with a companion receiver as part of a wireless RF transmission system and shall operate in the license-free 1.9 GHz band (frequency ranges shall be from 1,880 to 1,930 MHz depending on country-specific regulations).

The transmitter shall feature an LC display showing the name of the wireless link, battery status, RF output power, and reception quality. The transmitter's microphone/line input shall utilize a lockable 3.5 mm jack socket. The AF frequency response shall range from 50 – 20,000 Hz (mic) or from 20 – 20,000 Hz (line). Maximum input level shall be 2.2 Vrms (mic) or 3.3 Vrms (line). Input impedance shall be 1 M $\Omega$  (line). The dynamic range shall be > 120 dB(A). Total harmonic distortion (THD) at 1 kHz shall be typical 0.1 %. Signal-to-noise ratio shall be > 90 dB(A). RF output power shall be adaptive and up to 250 mW (country-specific). The transmitter shall have automatic sensitivity adjustment. The transmitter shall be powered by either one Sennheiser Lithium-Ion rechargeable accupack with a typical operating time of 15 hours or with an optional battery case for two 1.5V AA size batteries.

Dimensions shall be approximately 100 x 65 x 24 mm (3.94" x 2.56" x 0.94"). Weight (without accupack) shall be approximately 88 grams (3.10 oz). Operating temperature shall range from -10 °C to +55 °C (+14 °F to +131 °F).

The bodypack transmitter shall be the Sennheiser SL Bodypack DW.

The microphone suitable for use with the bodypack transmitter shall be a condenser type with an omni-directional pick-up pattern and a sensitivity of 5 mV/Pa. Maximum sound pressure level shall be 142 dB SPL. The clip-on microphone shall be the Sennheiser MKE 1 and the headset microphone shall be the Sennheiser SL Headmic 1.

## ACCESSORIES

<b>CHG 2</b> EU	Charger	Art. No. 505980	<b>NT 5-10U</b> EU	USB DC Adapter	Art. No. 555085
<b>CHG 2</b> UK	Charger	Art. No. 506218	<b>NT 5-10U</b> UK	USB DC Adapter	Art. No. 555086
<b>CHG 2</b> US	Charger	Art. No. 506219	<b>NT 5-10U</b> US	USB DC Adapter	Art. No. 555087
<b>CHG 2</b> AU	Charger	Art. No. 506220	<b>NT 5-10U</b> AU	USB DC Adapter	Art. No. 555088

## PRODUCT VARIANTS

SL BODYPACK DW-3-EU

Art. No. 505883

**-3 EU variant**

1,880 to 1,900 MHz

**Europe & UK****India, Indonesia****Hong Kong, Singapore****Malaysia, Australia**

SL BODYPACK DW-4-US

Art. No. 505900

**-4 US variant**

1,920 to 1,930 MHz

**USA, Canada****Latin America**

SL BODYPACK DW-5-US

Art. No. 505920

**-5 US variant**

1,893 to 1,906 MHz

**Japan**

SL BODYPACK DW-6-US

Art. No. 505910

**-6 US variant**

1,880 to 1,895 MHz

**Taiwan**

SL BODYPACK DW-7-BR

Art. No. 506704

**-7 BR variant**

1,910 to 1,920 MHz

**Brazil**