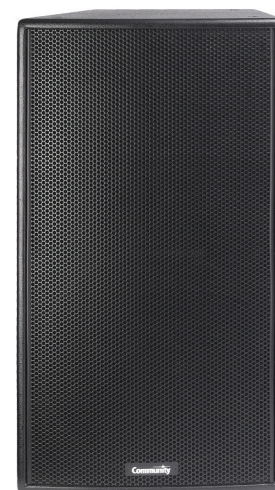


V2-3564 15-INCH, THREE-WAY, FULL-RANGE LOUDSPEAKER SYSTEM (60° X 40°)



SPECIFICATIONS

| | |
|---------------------------------------|--|
| Loudspeaker Type: | Three-way, full-range, trapezoidal, vented bass, user rotatable horn |
| Operating Range: | 55 Hz to 18 kHz (-10 dB) |
| Frequency Response: | 70 Hz to 16 kHz (-3 dB) |
| Max Input Ratings: | 200W continuous, 500W program 40 volts RMS, 80 volts momentary peak |
| Sensitivity (1W/1m): | 100 dB (100 Hz to 12.5 kHz) free space |
| Maximum Output: | 123 dB SPL / 129 dB SPL (peak) |
| Nominal Impedance: | 8 ohms |
| Minimum Impedance: | 5.7 ohms @ 130 Hz |
| Nominal -6dB Beamwidth: | 60° H x 40° V (in vertical position) |
| Crossover Frequencies: | 600 Hz / 3 kHz |
| Recommended Signal Processing: | 60 Hz, 24 dB/octave Butterworth high pass filter |
| Drivers: | LF 1 x 15-inch cone MF 1 x 6.5-inch HF 1 x 1-inch |
| Driver Protection: | DYNA-TECH protection circuitry |
| Input Connection: | NL4-compatible locking connector with terminal strip in parallel |
| Controls: | None |
| Enclosure: | Trapezoidal (22.5° included angle) 18mm, 11-ply cross-laminated birch |
| Mounting/Rigging Provisions: | 13 x M10 threaded rigging fittings 4 x M8 threaded fittings for third-party suspension products |
| Finish: | Catalyzed polyester two-part paint, black or white |
| Grille: | Powder coated steel, black or white finish |
| Required Accessories: | None |
| Supplied Accessories: | None |
| Optional Accessories: | VB-Y35 U-shaped yoke bracket VB-VY35 vertical yoke bracket CMKIT ceiling mount kit VB-TILT tilting bracket VB-VST versatilt bracket VFKIT vertical flying kit M10EYBLTKIT 10mm eyebolt kit STKIT seat track kit |
| Dimensions—Height: | 32.4 inches (823 mm) |
| Width: | 18.4 inches (467 mm) |
| Depth: | 15.9 inches (404 mm) |
| Weight: | 59.5 lbs (27 kg) |
| Model Options: | V2-3564B (black finish) V2-3564W (white finish) |



APPLICATIONS

- Houses of worship
- Clubs and discos
- Theaters
- Performing arts centers
- Gymnasiums
- Fitness centers

FEATURES

- Discreet and aesthetic trapezoidal enclosure
- Optimized voicing for full-range reproduction
- DYNA-TECH™ driver protection circuitry
- Ferrofluid-treated HF driver for improved heat dissipation
- Carbon Ring Cone Technology provides 30% more piston area with increased excursion capability in LF driver
- Terminal strip and NL4-compatible connectors
- User rotatable horn
- Multiple bracket options offer affordable arraying solutions
- Included in Community's Forecaster HD ceiling distributed system software
- Available in standard black or white finishes

DESCRIPTION

The V2-3564 is a three-way, full-range loudspeaker system suitable for use in a wide variety of fixed installations. Featuring horn loaded midrange and high-frequency drivers, the V2-3564 provides improved pattern control over two-way designs, making it well suited when intelligibility and musical clarity prove challenging, such as in large, reverberant spaces. The 60° x 40° pattern provides tight, controlled coverage, particularly useful in rooms that are deeper than they are wide. Extremely powerful with exceptionally low distortion, the V2-3564 is ideal for applications such as contemporary worship services, music and dance clubs, theatrical sound reinforcement, and other demanding work. Its trapezoidal design allows it to be clustered with like units, forming powerful arrays. The enclosure may be suspended from its M10 threaded rigging points using a variety of optional hardware available from Community, or it may be installed using a third-party mounting device. Featuring extended high frequency response, low distortion output, a tight, punchy bass response, and precise pattern control, the V2-3564 is a versatile performer for use in music and speech applications that require high quality, high power sound reinforcement at an affordable price. It includes a rotatable horn design that allows optimal dispersion in either vertical or horizontal mounting positions.

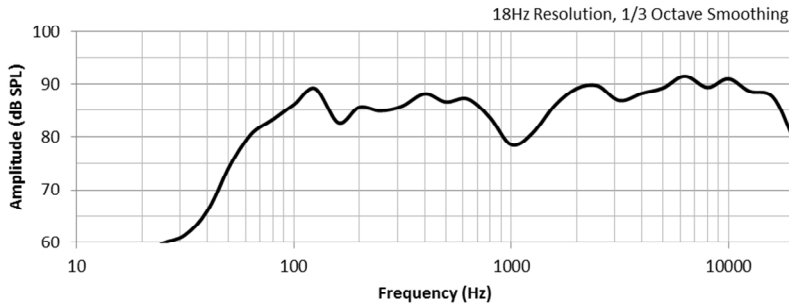
NOTES:

1. Sensitivity: Free field pink noise measurement at 6ft (1.8m) at 10% power; extrapolated to 1 meter and an input of 2.83 volts RMS.
2. Watts: All wattage figures are calculated using the rated nominal impedance.

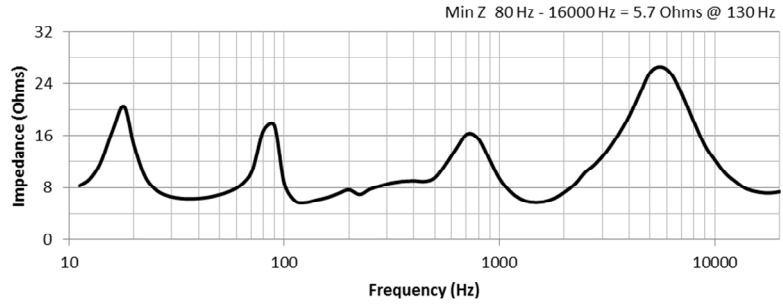
V2-3564 15-INCH, THREE-WAY, FULL-RANGE LOUDSPEAKER SYSTEM (60° X 40°)



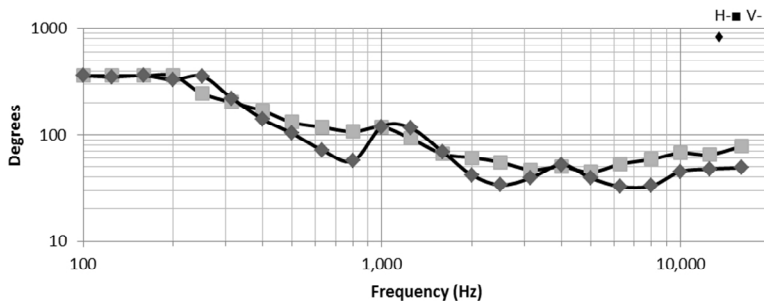
FREQUENCY RESPONSE



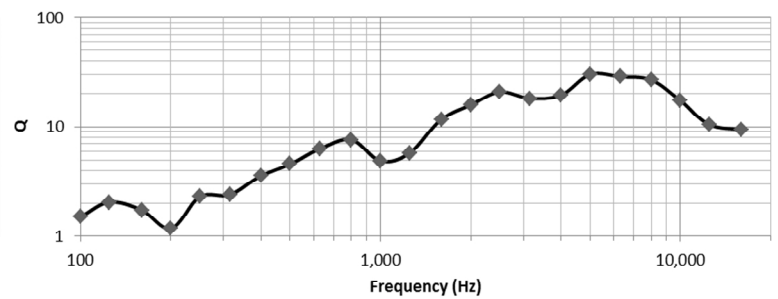
IMPEDANCE



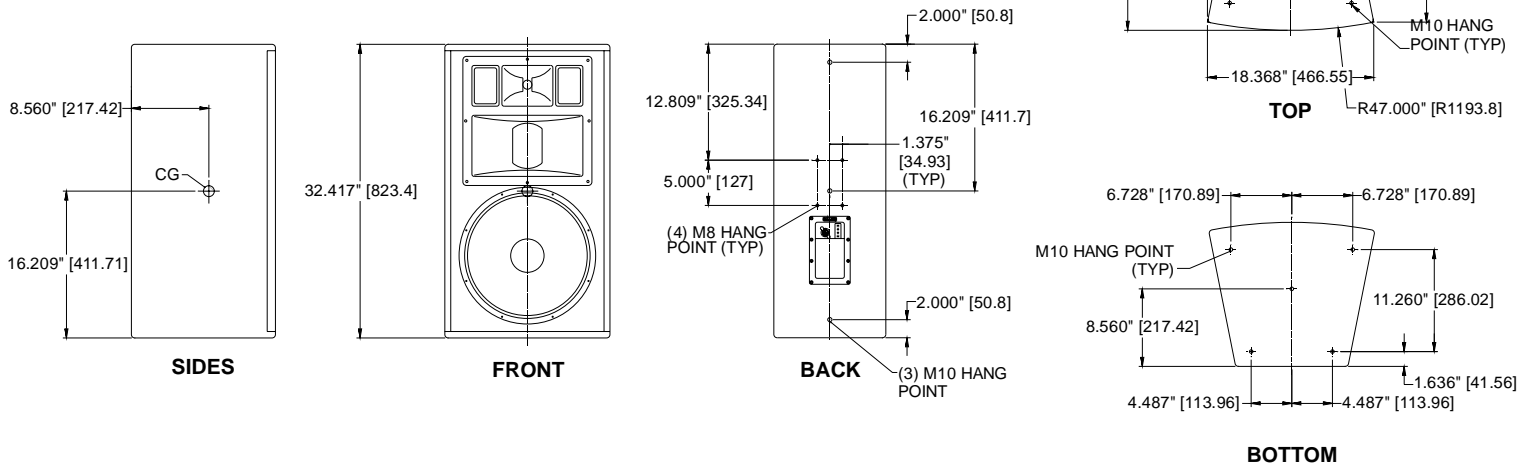
BEAMWIDTH



AXIAL Q



DIMENSIONS



ARCHITECTURAL SPECIFICATIONS

The loudspeaker system shall be a three-way, full-range, trapezoidal vented bass design with one 15-inch low frequency cone driver, one horn loaded 6.5-inch midrange transducer, and one 1-inch HF driver mounted to a 60° H x 40° V rotatable horn. There shall be an NL4-compatible locking connector with terminal strip in parallel. The loudspeaker enclosure shall be constructed of 18mm, 11-ply cross laminated birch with a perforated steel grille and shall be fitted with thirteen M10 flying/rigging inserts. The system shall have an amplitude response of 55 Hz to 18 kHz (-10 dB) and input capability of 40V RMS. The sensitivity at 1W/1m shall be 100 dB (100 Hz to 12.5 kHz). The nominal dispersion shall be 60° H x 40° V in vertical orientation. The loudspeaker dimensions shall be 32.4 in. (823 mm) H x 18.4 in. (467 mm) W (front) x 12.4 in. (315 mm) W (rear) X 15.9 in. (404 mm) D. The loudspeaker system shall weigh 59.5 lbs (27 kg).

Community strives to improve its products on a continual basis. Specifications are therefore subject to change without notice.