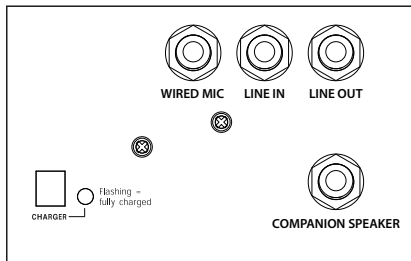


Acclaim Lectern System

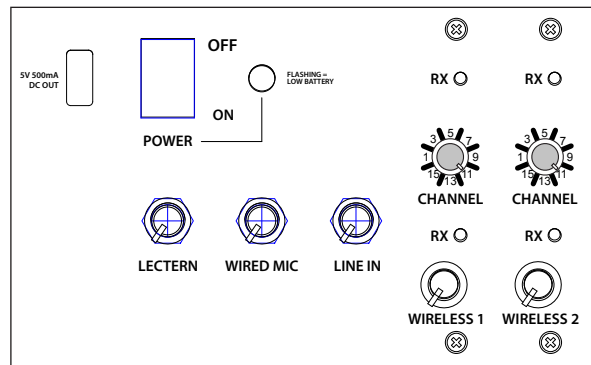
Technical Specifications



The Acclaim is versatile enough to meet the needs of the most demanding user and it's filled with features and benefits that far out shine all the rest. The lectern base is also a portable transport case with tilt-n-roll casters for easy movement. If a school, park, government, or military department needs a reliable portable lectern sound system, the Anchor Audio Acclaim will soon be ready to perform.



(ACL-8000U2+ Lower Panel Shown)



(ACL-8000U2+ Upper Panel Shown)

Features

- Reach Crowds of 500+
- True AC/DC - 110/220 Power Supply
- 16 Channel UHF Diversity Wireless by Anchor Audio
- Up to Two Built-in Wireless Receivers Option
- 16" 5V USB Gooseneck Light
- Runs 7+ Hours on a Charge Using Rechargeable Batteries
- High Fidelity Sound From High Efficiency Amp & Full-Range Speaker
- 8" Neodymium Woofer and Bullet Horn tweeter
- Sealed, Lead-acid Batteries & Built-in Charger
- 1/4" Input Microphone Jack
- External Speaker 1/4" Output Jack Powers Optional Unpowered AN-1001X Companion Speaker
- Sensitive 24" Removable Electret Gooseneck Microphone
- 20W Amplifier
- Lightweight Tabletop - 29.5 lbs

ACCLAIM MODELS

ACL-8000	Acclaim lectern (gray)
ACL-8000BK	Acclaim lectern (black)
ACL-8000U1	Acclaim lectern with one built-in wireless receiver (gray)
ACL-8000U1BK	Acclaim lectern with one built-in wireless receiver (black)
ACL-8000U2	Acclaim lectern with two built-in wireless receivers (gray)
ACL-8000U2BK	Acclaim lectern with two built-in wireless receivers (black)



UHF WIRELESS

WH-8000	Wireless handheld microphone/transmitter (540-570 MHz)
WB-8000	Wireless body-pack transmitter (540-570 MHz) (requires handsfree microphone) Microphone options include: Over-the-Ear/EM-TA4F, Lapel/LM-60, Collar/CM-60, Headband/HBM-TA4F

Technical Specifications

Rated Peak Power	20 watts	Weight	
Max SPL @ Rated Power	113 dB @ 1 meter	Base	42.5 lbs/ 19.3 kg
Frequency Response	60 Hz - 17 kHz	Lectern	29.5 lbs/ 13.4 kg
Charger (RC-6000)	19V DC/universal input (100Vac - 240Vac, 50 - 60Hz)	Inputs	
USB	5V 500mA	Lectern Microphone	Lo-Z, balanced, phantom power, XLR
Battery	12 volt rechargeable, 9 AH	Wired Microphone	Lo-Z, unbalanced, 1/4" phone
Dimensions		Line Input	Hi-Z, unbalanced, 1/4" phone
Base (HWD)	30.5" x 21.125" x 20.5" (77.5 x 53.7 x 52 cm)	Outputs	
Lectern (HWD)	15.75" x 21.125" x 8.5" (40 x 53.7 x 21.6 cm)	Line Output (post fader)	Lo-Z, 1/4" phone
		Speaker Out	4Ω, unswitched, 1/4" phone, 20W max



(Features & Specifications Subject To Change Without Notice)