



A Message from the President

Congratulations on purchasing an Anchor Audio Lectern, the choice of thousands of satisfied customers including the White House, prestigious universities, school districts nationwide, police and fire departments, and all branches of the U.S. Military. Our products are made of the finest materials and built with pride in the U.S.

We've incorporated the latest technology into your sound system yet kept it simple to use. Just take a few minutes to review this manual to ensure the maximum enjoyment of your Anchor system. Or, you can view a demonstration video complete with a trouble shooting section at www.anchoraudio.com.

Feel free to call our friendly customer support staff at 1-800-ANCHOR1 with any questions. We love to hear from our customers.

on behalf of all Anchor employees

CONTENTS

GETTING STARTED.....	1
ADMIRAL ASSEMBLY INSTRUCTIONS / INSTALL SOUND SYSTEM.....	2
IMPORTANT SAFETY INFORMATION	3
ADMIRAL LECTERN TECHNICAL SPECIFICATIONS	4

GETTING STARTED

Please check your new unit carefully for any damage which may have occurred during shipment. Each Anchor product is carefully inspected at the factory and packed in specially designed boxes for safe transport.

Notify the freight carrier immediately of any damage to the shipping box or product. Repack the unit in the original box and wait for inspection by the carrier's claim agent. Notify your dealer of the pending freight claim.

NOTE: All damage claims must be made with freight carrier!

RETURNING SYSTEMS FOR SERVICE OR REPAIR

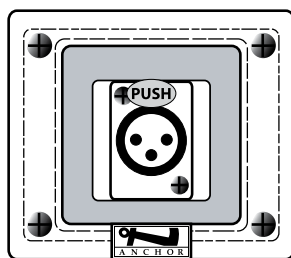
For service or repair, please contact the dealer you purchased your system from, call us at 1-800-262-4671, or visit www.AnchorAudio.com, Contact Us page. Our tech support team will issue an RA number for warranted systems, after which, you can ship the item(s) to Anchor for repair. All shipments to Anchor Audio must include an RA number and must be shipped prepaid. C.O.D. shipments and shipments without an RA number will be refused and returned at your expense.

IMPORTANT: Save the shipping box & packing materials, they were specially designed to ship your unit!

The Admiral Lectern comes with a 2 year warranty.



TWO YEAR WARRANTY



GOOSENECK SHOCK MOUNT JACK

ADMIRAL LECTERN PARTS LIST

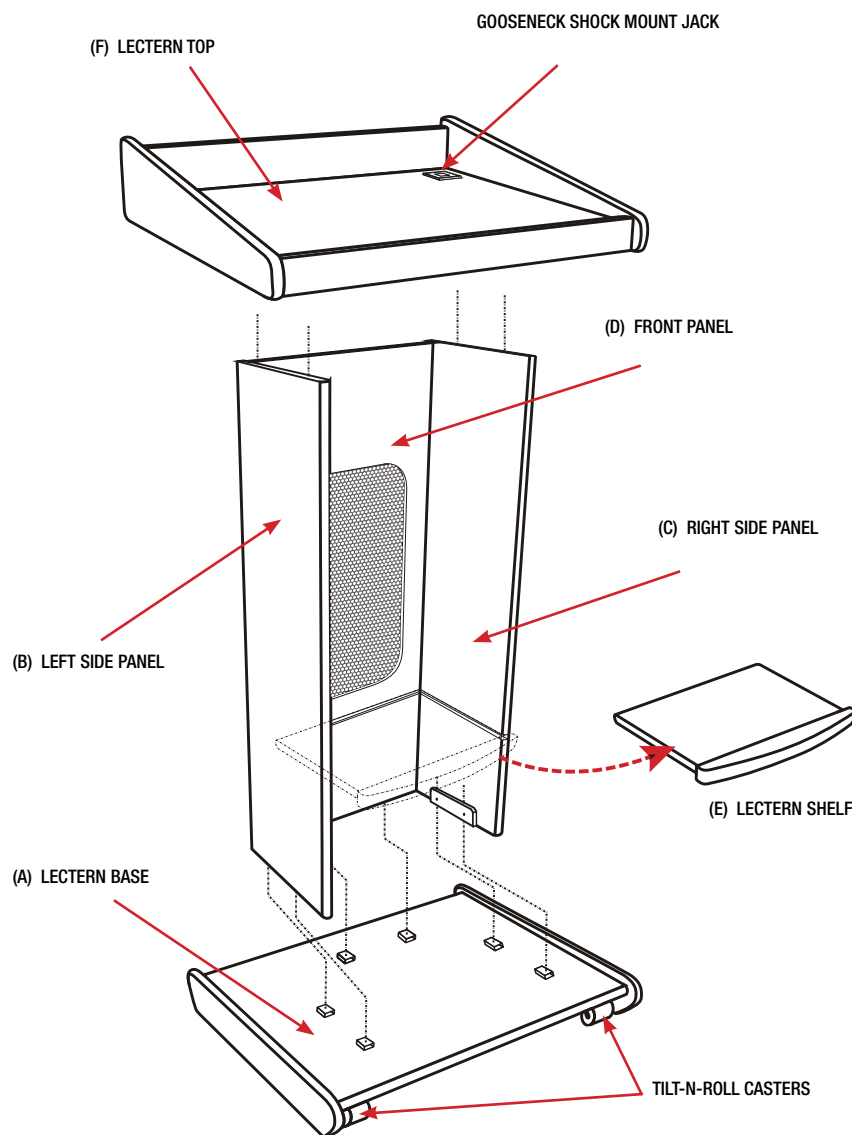
- (A) Base 1 ea.
- (B) Left Side Panel 1 ea.
- (C) Right Side Panel 1 ea.
- (D) Front Panel 1 ea.
- (E) Shelf 1 ea.
- (F) Top 1 ea.
- (G) Screws 13 ea.

ASSEMBLY INSTRUCTIONS

You will need a phillips-head screwdriver to complete assembly.

1. Place BASE (A) on level ground with wheel side down
2. Attach left (B) & right (C) SIDE PANELS to BASE using two screws each
3. Fit FRONT PANEL (D) into place and screw into BASE
4. Insert SHELF (E) as shown and secure with screw
5. Position TOP (F) and attach from below with six screws
6. Plug gooseneck microphone firmly into JACK on TOP

IMPORTANT: Do not over tighten screws.



ADMIRAL PORTABLE LECTERN FL-7500

INSTALL A PORTABLE SOUND SYSTEM

The Admiral Lectern is designed to house a portable sound system like the Anchor Audio Liberty Platinum, Go Getter or Explorer Pro. You must assemble the lectern before installing a sound system.

INSTALL A SOUND SYSTEM

After you assemble the lectern and position it on a flat surface:

1. Place sound system inside cabinet on shelf as shown
2. Connect lectern microphone cable to sound system

See your sound system manual for instructions on its operation.



CAUTION: Remove sound system before moving lectern!



TWO YEAR WARRANTY

Important Safety Instructions

- 1) Read Instructions – All the safety and operation instructions should be read before the product is operated.
- 2) Retain Instructions – The safety and operating instructions should be retained for future reference.
- 3) Heed Warnings- All warnings on the product and in the operating instructions should be adhered to.
- 4) Follow Instructions – All operating and use instructions should be followed.
- 5) Cleaning – Unplug this product from the wall outlet before cleaning. Do not use liquid cleaners or aerosol cleaners. Use a damp cloth for cleaning.
Exception: A product that is meant for uninterrupted service and that for some specific reason, such as the possibility of the loss of an authorization code for the CATV converter, is not intended to be unplugged by the user for cleaning or any other purpose, may exclude the reference to unplugging the product in the cleaning description otherwise in above 5).
- 6) Attachments – Do not use attachments not recommended by the product manufacturer as they may cause hazards.
- 7) Water and Moisture – Do not use this product near water – for example, near a bath tub, wash bowl, kitchen sink, or laundry tub; in a wet basement; or near a swimming pool; and the like.
- 8) Accessories – Do not place this product on an unstable cart, stand, tripod, bracket, or table. The product may fall, causing serious injury to a child or adult, and serious damage to the product. Use only with a cart, stand, tripod, bracket, or table recommended by the manufacturer, or sold with the product. Any mounting of the product should follow the manufacturer's instructions, and should use a mounting accessory recommended by the manufacturer.
- 9) A product and cart combination should be moved with care. Quick stop, excessive force, and uneven surfaces may cause the product and cart combination to overturn.
- 10) Ventilation – Slots and openings in the cabinet are provided for ventilation and to ensure reliable operation of the product and to protect it from overheating, and these openings must not be blocked or covered. The openings should never be blocked by placing the product on a bed, sofa, rug, or other similar surface. This product should not be placed in a build-in installation such as a bookcase or rack unless proper ventilation is provided or the manufacturer's instructions have been adhered to.
- 11) Power Sources – This product should be operated only from the type of power source indicated on the marking label. If you are not sure of the type of power supply to your home, consult your product dealer or local power company. For products intended to operate from battery power, or other sources, refer to the operating instructions.
- 12) Grounding or Polarization – This product may be equipped with a polarized alternating-current line plug (a plug having one blade wider than the other). This plug will fit into the power outlet only one way. This is a safety feature. IF you are unable to insert the plug fully into the outlet, try reversing the plug. If the plug should still fail to fit, contact your electrician to replace your obsolete outlet. Do not defeat the safety purpose of the polarized plug.
- 13) Power-Cord Protection – Power-supply cords should be routed so that they are not likely to be walked on or pinched by items placed upon or against them, paying particular attention to cords at plugs, convenience receptacles, and the point where they exit from the product.
- 14) Protective Attachment Plug – The product is equipped with an attachment plug having overload protection. This is a safety feature. See Instruction Manual for replacement or resetting of protective device. If replacement of the plug is required, be sure the service technician has used a replacement plug specified by the manufacturer that has the same overload protection as the original plug.
- 15) Outdoor Antenna Grounding – If an outside antenna or cable system is connected to the product, be sure the antenna or cable system is grounded so as to provide some protection against voltage surges and built-up static charges. Article 810 of the National Electrical Code, ANSI/NFPA 70, provides information with regard to proper grounding of the mast and supporting structure grounding of the lead in wire to an antenna discharge unit, size of grounding conductors, location of antenna-discharge unit, connection of grounding electrodes, and requirements for the grounding electrode. See Figure A.
- 16) Lightning – For added protection this product during lightning storm, or when it is left unattended and unused for long periods of time, unplug it from the wall outlet and disconnect the antenna or cable system. This will prevent damage to the product due to lightning and power-line surges.
- 17) Power Lines – An outside antenna system should not be located in the vicinity of overhead power lines or other electric light or power circuits, or where it can fall into such power lines or circuits. When installing an outside antenna system, extreme care should be taken to keep from touching such power lines or circuits as contact with them might be fatal.
- 18) Overloading – Do not overload wall outlets, extension cords, or integral convenience receptacles as this can result in a risk of fire or electric shock.
- 19) Object and Liquid Entry – Never push objects of any kind into this product through openings as they may touch dangerous voltage points or short-out parts that could result in a fire or electric shock. Never spill liquid of any kind on the product.
- 20) Servicing – Do not attempt to service this product yourself as opening or removing covers may expose you to dangerous voltage or other hazards. Refer all servicing to qualified service personnel.
- 21) Damage Requiring Service – Unplug this product from the wall outlet and refer servicing to qualified service personnel under the following conditions:
 - a. When the power-supply cord or plug is damaged.
 - b. If liquid has been spilled, or objects have fallen into the product.
 - c. If the product has been exposed to rain or water.
 - d. If the product does not operate normally by following the operating instructions. Adjust only those controls that are covered by the operating instructions as an improper adjustment of other controls may result in damage and will often require extensive work by a qualified technician to restore the product to its normal operation.
 - e. If the product has been dropped or damaged in any way.
 - f. When the product exhibits a distinct change in performance – this indicates a need for service.
- 22) Replacement Parts – When replacement parts are required, be sure the service technician has used replacement parts specified by the manufacturer or have the same characteristics as the original part. Unauthorized substitutions may result in fire, electric shock, or other hazards.
- 23) Safety Check – Upon completion of any service or repairs to this product, ask the service technician to perform safety checks to determine that the product is in proper operation condition.
- 24) Wall or Ceiling Mounting – The product should be mounted to a wall or ceiling only as recommended by the manufacturer.
- 25) Heat – The product should be situated away from heat sources such as radiators, heat registers, stoves, or other products (including amplifiers) that produce heat.



NEED MORE HELP? Admiral Lectern Setup & Operation Videos!
Visit Our Website: www.anchoraudio.com

ADMIRAL TECHNICAL SPECIFICATIONS

FL-7500 Assembled Dimensions

Total (HWD)	46" x 25" x 20" (117 x 64 x 51 cm)
Table Top (WD)	24" x 21.5" (61 x 55 cm)
Console Opening (HWD)	22" x 14.25" x 15" (66 x 36.2 x 38.1 cm)
Weight	68 lbs / 31 Kg

FL-7500 Shipping Dimensions

Total (HWD)	16.5" x 39" x 24" (42 x 99 x 61 cm)
Weight	73 lbs / 33.2 Kg

LM-618 Microphone

Element Type	Electret condenser
Mic Output (<i>Post Fader</i>)	Lo-Z, transformer balanced, XLR
Phantom Power Voltage	9-52 volts DC



(Specifications Subject to Change Without Notice)

ANCHOR AUDIO CUSTOMER SERVICE
800.262.4671

FOR ADDITIONAL INFORMATION
visit www.anchoraudio.com