

# HUB

collaboration furniture

HUB is a technology-ready, all-in-one furniture solution for collaboration spaces that is designed to maximize equipment and cable storage

## features:

- Simple to order with a single part number for the all-in-one system and color designation, with over 50 colors available
- Each HUB includes:
  - Table top
  - InteGreat™ Table Box
  - Two InteGreat™ HDMI® cable retractors with option to add another three from the InteGreat offering
  - TechPed™ Technology Pedestal, providing table support with integrated Lever Lock™ small device mounting, 4RU rackmount capabilities, included 4-outlet power strip
  - Wall mount bracket accommodates 37" – 70" displays (200x200 minimum VESA to 600x400 maximum VESA)
  - 4-outlet power strip for use at the display
- Optional tower for mounting displays directly to the table for a freestanding system
- Table configurations enable design flexibility and a variety of applications:
  - Table shape options available include Angle, a trapezoidal shape ideal for video teleconference use and Bullet, which is rounded at one end and ideal for face to face collaboration
  - HPL and thermolaminate table finishes available
  - Table lengths include 6', 7' and 8'
  - Accommodates 5-7 people
- GREENGUARD Gold certified for use in multiple environments including public, educational and institutional spaces
- Integrated cable management system for efficient installation and servicing



## specifications:

HUB Collaboration Furniture shall be Middle Atlantic Products model # HUBTS-\_\_\_\_\_ (refer to chart). HUB shall include a worksurface constructed of 1-1/8" thick MDF in (angle, bullet) shape, be 46.8" wide and (72", 84", 96") length and 29.1" from the floor. Worksurface to have a Thermolaminate finish with a contoured edge, or HPL finish with a bullnose edge, color to be specified, visit [middleatlantic.com](http://middleatlantic.com) for options. Worksurface shall include Wiremold table box in a black finish, part # TB672APBK, which includes 5 qty AVIP Mounting Plates, 2 qty 15 Amp power outlets on top and 1qty 15 Amp power outlet on bottom, 2 qty HDMI cable retractors that extend up to 5', with the ability to 3 additional cable retractors. HUB shall include TechPed technology pedestal with Lever Lock mounting bracket, 4 outlet, 15 Amp power supply with 12' power cord, 4 rackspace mounting capabilities, integrated cable management, and black thermolaminate MDF panels with hinged, locking front and rear doors. HUB shall include wall/tower mounting brackets with 4 outlet, 15 Amp power supply with 12' power cord, and security covers. HUB shall include cable management on the underside of the worksurface to route cables from the TechPed to the wall. HUB shall include a monitor mount for wall or tower mounting with 0° or 5° fixed tilt, be capable of mounting monitors with a diagonal dimension of 37" to 70" and a VESA pattern from 200x200 to 600x400. HUB shall be GREENGUARD GOLD Certified. HUB shall be RoHS EU Directive 2011/65/EC compliant. Steel components shall be warrantied to be free from defects in material or workmanship under normal use and conditions for the lifetime of the product. Thermolaminate and HPL components shall be warrantied to be free from defects in material or workmanship under normal use and conditions for a period of 7 years. Power components shall be warrantied to be free from defects in material or workmanship under normal use and conditions for a period of 3 years. Table box and related components shall be warrantied to be free from defects in material or workmanship under normal use and conditions for a period of 1 year.

Customizable specification clips available at [middleatlantic.com](http://middleatlantic.com)



PRODUCT CERTIFIED FOR  
LOW CHEMICAL EMISSIONS  
[UL.COM/GG](http://UL.COM/GG)  
UL 2818

## options:

- Optional tower shall be model # HUBTS-TOWER\_\_T (BK for black, WH for white) with a thermolaminate finish. HUB tower shall be 63.94" h x 48" w x 1.5"d. Tower shall accept HUB monitor mount with three mounting positions. Tower shall have cable management channel that is 2" w x .5" d. Tower shall accept HUBTS-RCP-WHITE plexiglass rear cover/whiteboard.
- HUB shall accept optional caster kit, model # HUBTS-CASTER, which includes 4 locking and 2 non-locking casters, and be available when HUB is used in conjunction with Tower option.
- HUB monitor mount shall accept optional camera mount, model # HUBTS-CM-TB, mount above or below display, shall be 8" w x 8" d, and have a weight capacity of 10 lbs.

what **great systems** are built on.™

A Group brand | **legrand**

**Middle Atlantic Products**

[middleatlantic.com](http://middleatlantic.com) | [middleatlantic.com](http://middleatlantic.com)

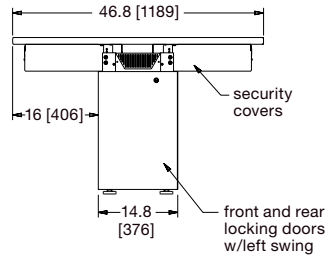
96-01231 / rev a / 11-6-15

# HUB

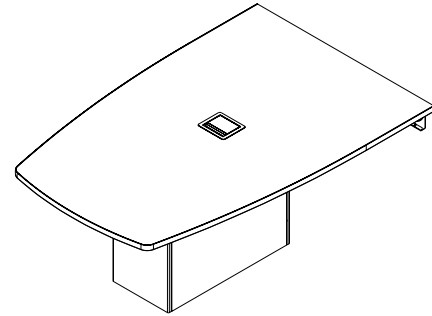
## basic dimensions

all dimensions in inches unless otherwise noted [all dimensions in brackets are in millimeters]

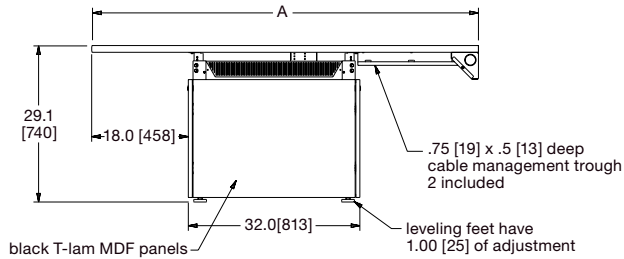
front view



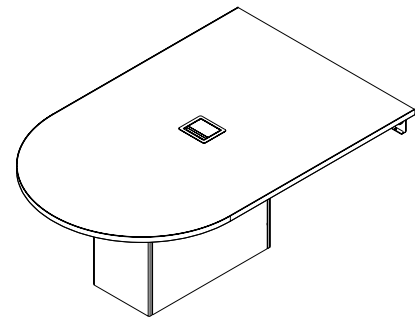
angle worksurface



side view

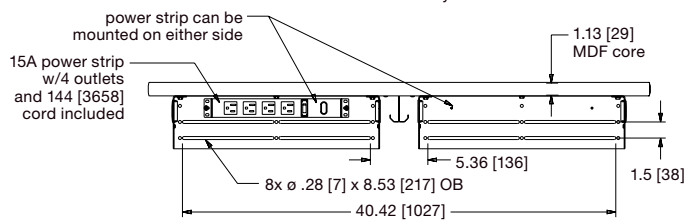


bullet worksurface



front view

security covers and tech ped removed for clarity



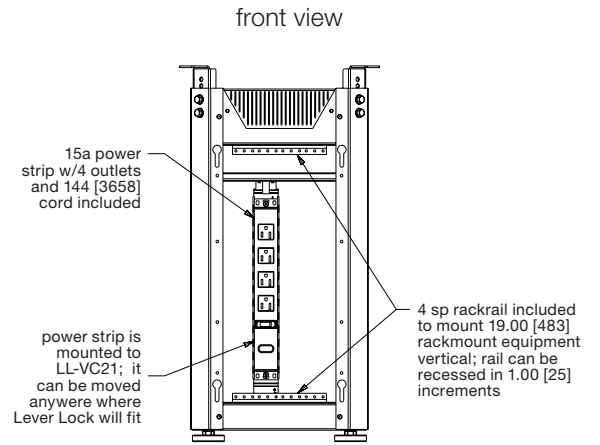
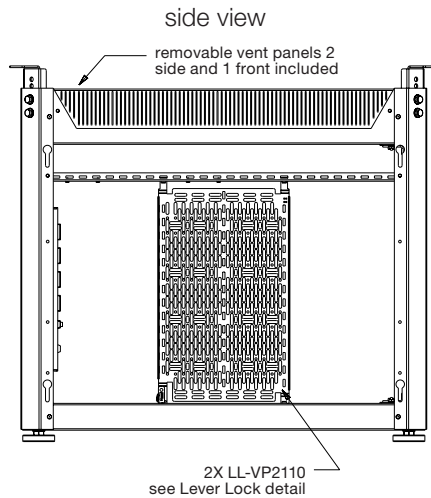
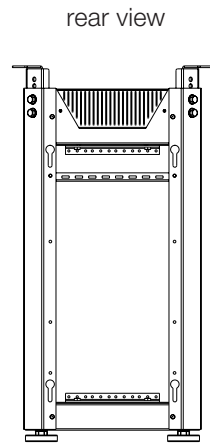
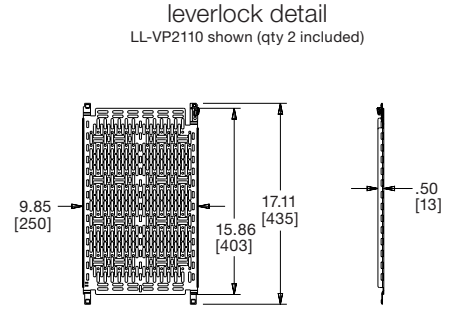
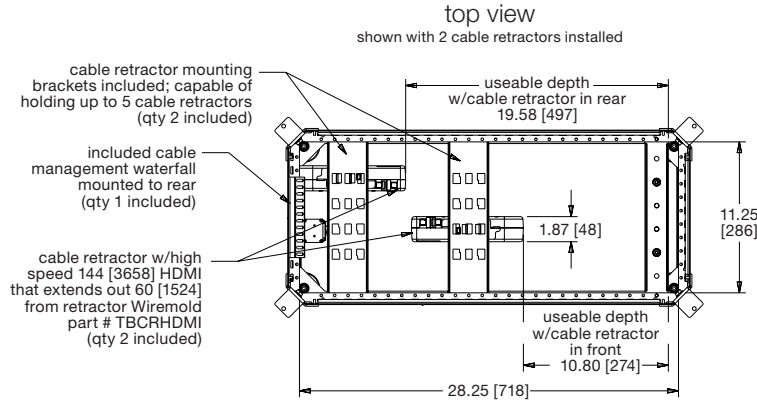
Part #	Finish Type	A Worksurface Length	Worksurface Shape
HUBTS-72ANGLE-H	HPL*	72.00 [1829]	angle
HUBTS-72ANGLE-T	T-LAM	72.00 [1829]	angle
HUBTS-84ANGLE-H	HPL*	84.00 [2134]	angle
HUBTS-84ANGLE-T	T-LAM	84.00 [2134]	angle
HUBTS-96ANGLE-H	HPL*	96.00 [2438]	angle
HUBTS-96ANGLE-T	T-LAM	96.00 [2438]	angle
HUBTS-72BULLET-H	HPL*	72.00 [1829]	bullet
HUBTS-72BULLET-T	T-LAM	72.00 [1829]	bullet
HUBTS-84BULLET-H	HPL*	84.00 [2134]	bullet
HUBTS-84BULLET-T	T-LAM	84.00 [2134]	bullet
HUBTS-96BULLET-H	HPL*	96.00 [2438]	bullet
HUBTS-96BULLET-T	T-LAM	96.00 [2438]	bullet

\* HPL finish comes with color coordinated t-molding

# HUB TechPed™

## basic dimensions

all dimensions in inches unless otherwise noted [all dimensions in brackets are in millimeters]

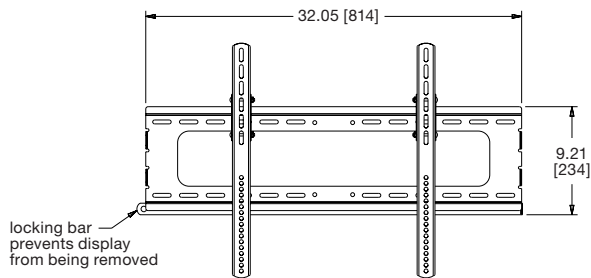


what **great systems** are built on.™

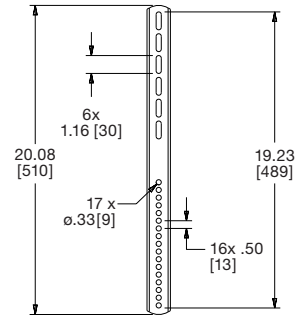
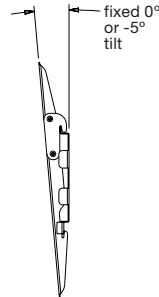
# HUB Monitor Mount & Table Box

## basic dimensions

all dimensions in inches unless otherwise noted [all dimensions in brackets are in millimeters]



display mount weight capacity: 165 lb/75 kg  
 min vesa pattern: 200 x 200  
 max vesa pattern: 600 x 400  
 recommended display size: 37 [940] to 70 [1778]



display mount bracket hole pattern

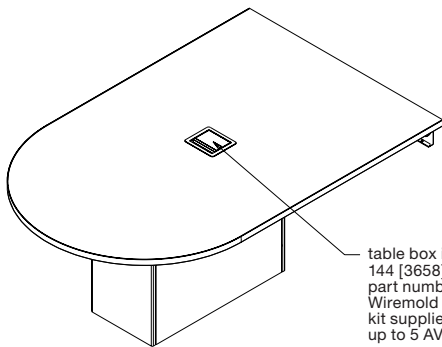
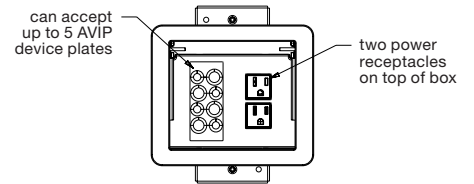


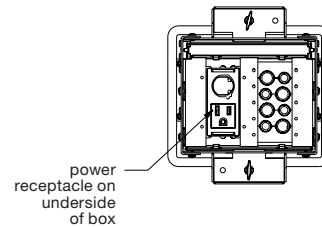
table box included with 144 [3658] cord Wiremold part number TB672APBK Wiremold AVIP series cable kit supplied can accept up to 5 AVIP device plates

### Wiremold #TB672APBK

top view  
 top cover and power cord removed for clarity



bottom view  
 power cord removed for clarity

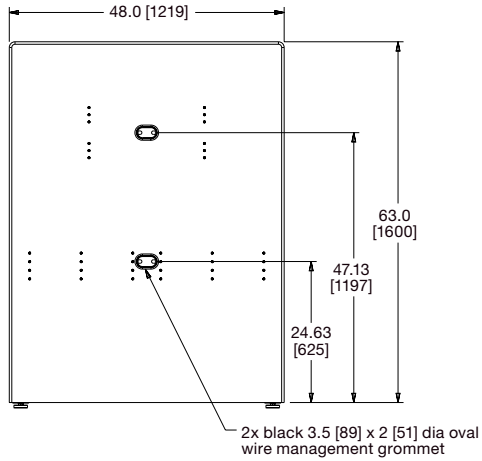


# HUB Tower

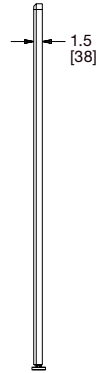
## basic dimensions

all dimensions in inches unless otherwise noted [all dimensions in brackets are in millimeters]

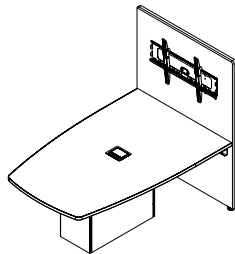
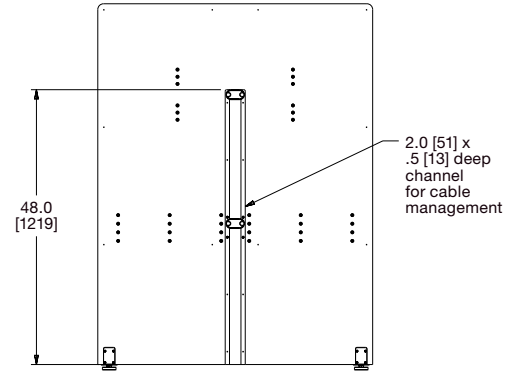
front view



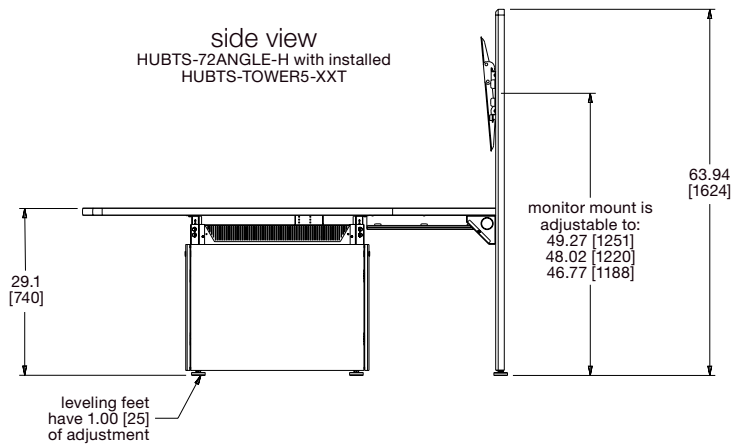
side view



rear view  
rear cover removed for clarity



side view  
HUBTS-72ANGLE-H with installed  
HUBTS-TOWER5-XXT



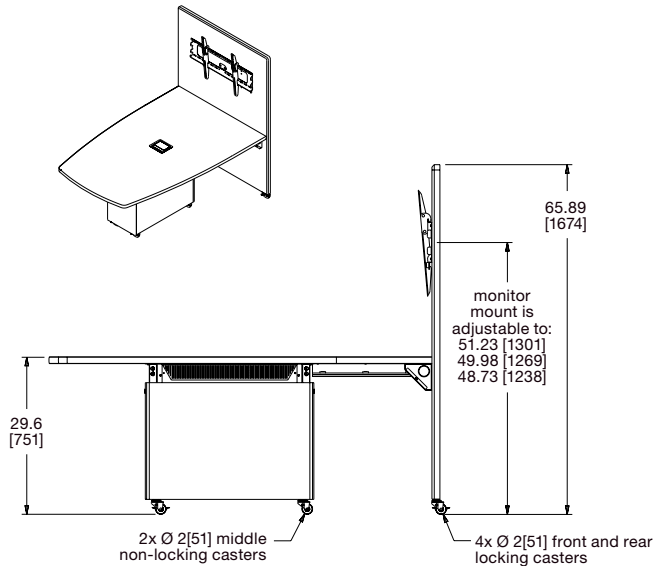
- Notes:
- 1) HUBTS-72ANGLE-H w/installed HUBTS-TOWER5-XXT
  - 2) XX = BK for Black and WH for White.

# HUB Caster & Rear Cover

## basic dimensions

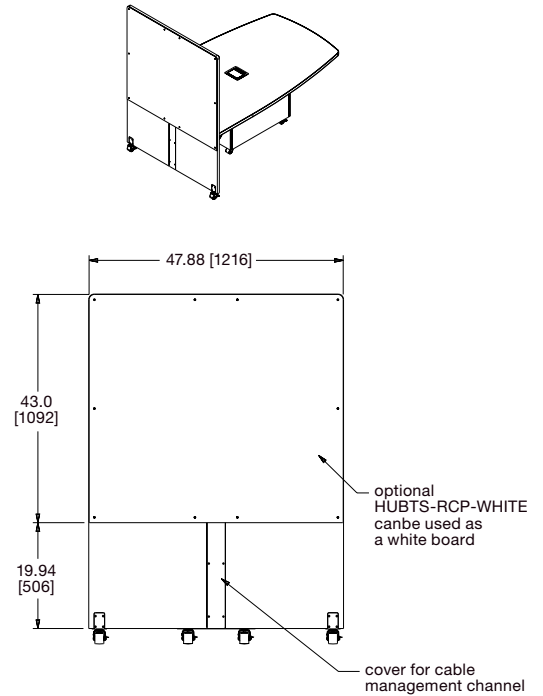
all dimensions in inches unless otherwise noted [all dimensions in brackets are in millimeters]

side view  
HUBTS-72ANGLE-H with installed  
HUBTS-TOWER5-XXT and HUBTS-CASTER



Notes:  
1) HUBTS-CASTER only available when HUBTS-TOWER5-XXT is utilized.  
2) XX = BK for Black and WH for White.

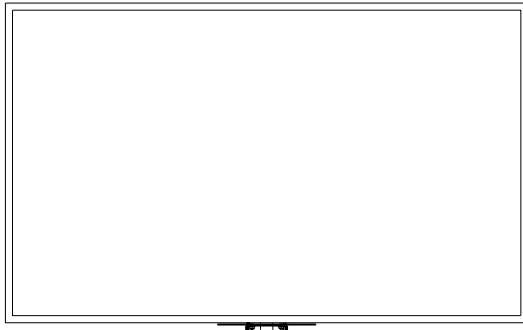
rear view  
HUBTS-72ANGLE-H with installed  
HUBTS-TOWER5-XXT, HUBTS-CASTER,  
and HUBTS-RCP-WHITE



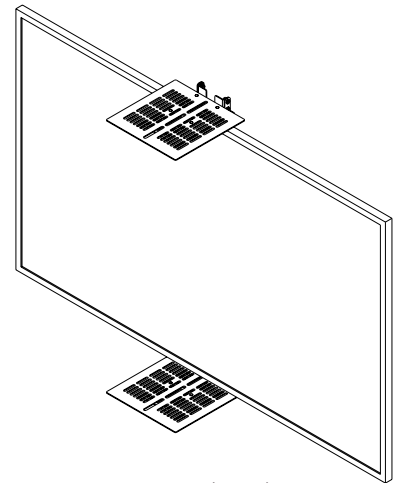
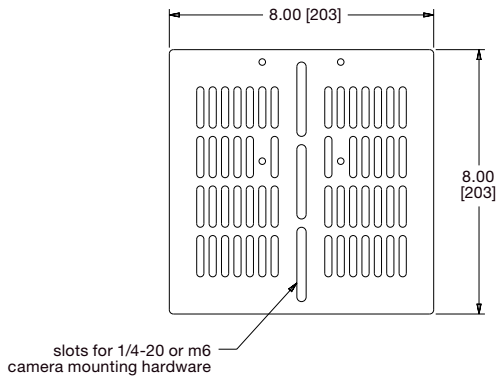
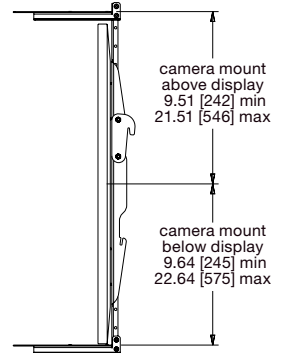
# HUB Camera Mount

## basic dimensions

all dimensions in inches unless otherwise noted [all dimensions in brackets are in millimeters]



HUBTS-CM-TB show below display



camera mount shown above and below display for representation only

- Notes:
- 1) Camera mount weight capacity: 10lb/4.5kg
  - 2) HUBTS-CM-TB mounts above or below display only