

SPECIFICATION SHEET



Bluetooth Receiver with NFC

- Utilizes Bluetooth A2DP+EDR technology
- Supports a range of 10m
- Easily connects with home stereos, tablets, notebooks, etc
- Near Field Communication (NFC) provides for a simple pairing process
- TAA compliant
- Lifetime Warranty

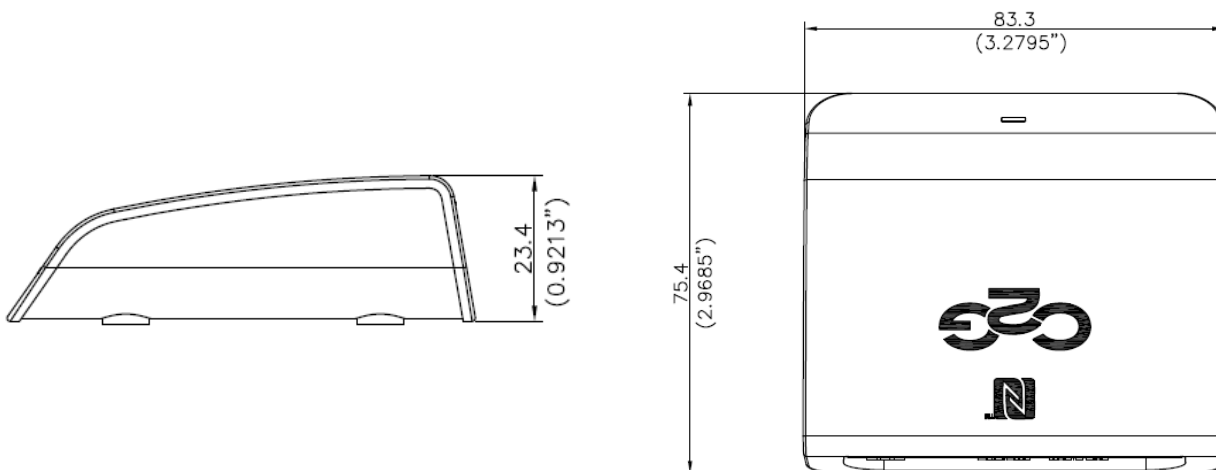
Specifications: Bluetooth Receiver with NFC

Electrical Specifications:

Bluetooth Technology:	A2DP+EDR AVRCP
Distortion (standard output):	<0.5%
Frequency Response:	30Hz-18KHz
Power:	USB

Physical Specifications:

Dimensions (L x W x H):	2.0 x 1.3 x 0.5in
Audio Outputs:	Toslink (Optical) 3.5mm Stereo Audio
Approvals:	CE
Warranty:	Lifetime



Part Number	Description	Weight (lbs)
41321	Bluetooth Receiver with NFC	



CABLES TO GO

Cables To Go
 3555 Kettering Blvd.
 Moraine, OH 45439
 Phone: 800.287.2843
 www.c2g.com

Follow Us

