



Product Description

The Tannoy 110SR Sheet Rock subwoofer - like its companions, the 110TB (Tile Bridge) is a compact, 254mm (10.00") down-firing, vented cabinet capable of 31Hz - 150Hz @ -3dB (active), 41Hz - 150Hz @ -3dB (passive).

The 110SR flush mounts into sheet rock ceilings, walls, or overhangs - any position offering adequate clearance and suitable structural support. The unit comes complete with a low profile square grille.

The 110SR cabinet is fitted with seismic tether points and comes with a sturdy pre-installation ring (110SR-Ring) for safe and secure installation of the unit. (The pre-installation ring is available separately for new construction where the sheet rock installers arrive before the contractor.) Fire rating for the 110SR is NFPA Grade A.

The 110SR incorporates an 203mm (8.00") x 254mm (10.00)" input module located on the side of the cabinet. The input module controls are easily accessed by removing the grille. The 110SR remains serviceable and fully removeable from the ground after installation.

The 110SR can be ordered with a passive input module (110 SR-P) connected via barrier strip, or with a passive internal crossover (110 SR-PX). Both passive modules can be powered by a THP 60 Watt / 70 Volt line transformer for distributed systems (110SR-P70V and 110SR-PX 70V).

Alternatively, the 110SR can be powered by a 200 Watt active amplifier (110SR-A)

Features

- 254mm (10.00") bass unit
- Easy access to system controls
- Input module options - system flexibility
- Seismic tether straps
- Pre-install ring for drywall contractors
- Class A fire classification paint
- Quick & easy mounting
- Active input module
- 200 Watts - 8 Ohms load
- L/R fully balanced inputs & outputs
- Variable low pass
- Fixed 80Hz high pass output available

Applications

- Foreground music systems
- Business music systems
- Retail outlets
- Reception / waiting rooms
- Boardrooms & offices
- Museums and interactive exhibits
- Convention centers, hotels
- Cruise ships
- Houses of worship

Tannoy United Kingdom
Tannoy Deutschland
Tannoy France
TC|Group Americas

T: 00 44 (0) 1236 420199
T: 00 49 (180) 1111 881
T: 00 33 (0)1 7036 7473
T: 00 1 (519) 745 1158

E: enquiries@tannoy.com
E: enquiries@tannoy.com
E: ventes@tannoy.com
E: info@tcgroup-americas.com

tannoy®.com



CMS 110SR

TANNOY®

TECHNICAL SPECIFICATIONS

| System | | CMS 110SR |
|---|---|--------------|
| Frequency Response | | |
| Active | (-3dB) ⁽¹⁾ | 31Hz - 150Hz |
| | -10dB | 26Hz |
| Passive | (-3dB) ⁽¹⁾ | 41Hz - 150Hz |
| | -10dB | 32Hz |
| Rated Maximum SPL @ 1 meter 105dB (average), 111dB (peak) | | |
| Electronics | | |
| Input | 3 pin XLR female; pin 2 positive | |
| Sensitivity ⁽²⁾ | 500mV for rated output | |
| Low Pass Filter | Fixed 12dB/oct @ 130Hz, with variable 12dB/oct, 50 - 150Hz | |
| High Pass Filter | Fixed 12dB/oct @ 80Hz | |
| Amplifier Type | Class AB Mosfet | |
| Amplifier Output Power | 200 Watts into 8 Ohms load | |
| User Controls and Indications | Level, low pass frequency, bass boost. Pin 1 lift, phase +/- 180°, low pass, all pass, power on/off | |

| Construction | |
|-------------------------------------|---|
| Driver Complement | 254mm (10.00") bass unit |
| Enclosure | Direct radiating vented MDF |
| Connectors (Passive Modules) | Barrier strip |
| Finish | Textured Black |
| Dimensions | |
| 110SR | 314mm x 483mm x 483mm (12.36" x 19.02" x 19.02") |
| 110SR Ring | 368mm x 368mm x 19mm (14.49" x 14.49" x 0.79") |
| Net Weight | 16.8kg (37lbs) |
| Accessories | Pre-installation ring |

Notes:

(1) Average over stated bandwidth. Measured at 1 meter on axis.

(2) Unweighted pink noise input, measured at 1 meter in an anechoic chamber

A full range of measurements, performance data, and Ease™ Data can be downloaded from www.tannoy.com

Tannoy operates a policy of continuous research and development. The introduction of new materials or manufacturing methods will always equal or exceed the published specifications, which Tannoy reserves the right to alter without prior notice. Please verify the latest specifications when dealing with critical applications.

Ordering Information

| PART NUMBER | MODEL NAME | COLOUR | PACKED QUANTITY |
|-------------|---|--------|-----------------|
| 8001 3230 | CMS 110SR - A EURO 220V | BLACK | 1 |
| 8001 3233 | CMS 110 SR Active c/w 200W amp 110V 110SR-A | BLACK | 1 |
| 8001 3237 | CMS 110SR Passive 110SR-P | BLACK | 1 |
| 8001 3238 | CMS 110 SR Passive c/w 60W 70V transformer 110SR-70V60W | BLACK | 1 |
| 8001 3239 | CMS 110 SR Passive c/w 60W 70V transformer and L.P.F. 110SR-70Vx60W | BLACK | 1 |
| 9790 5048 | CMS 110SR Passive c/w L.P.F. 110SR-X | BLACK | 1 |

Tannoy United Kingdom
Tannoy Deutschland
Tannoy France
TC|Group Americas

T: 00 44 (0) 1236 420199
T: 00 49 (180) 1111 881
T: 00 33 (0)1 7036 7473
T: 00 1 (519) 745 1158

E: enquiries@tannoy.com
E: enquiries@tannoy.com
E: ventes@tannoy.com
E: info@tcgroup-americas.com

tannoy®.com

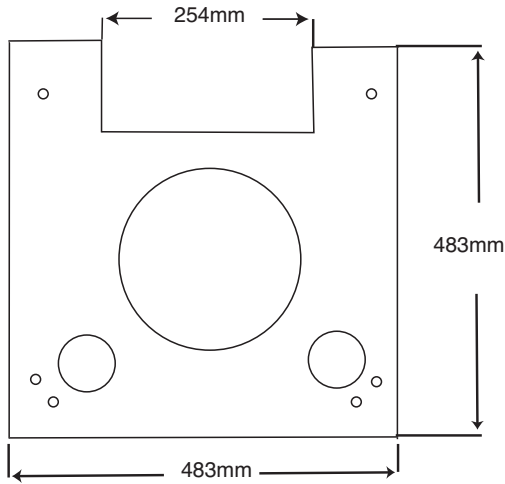


CMS 110SR

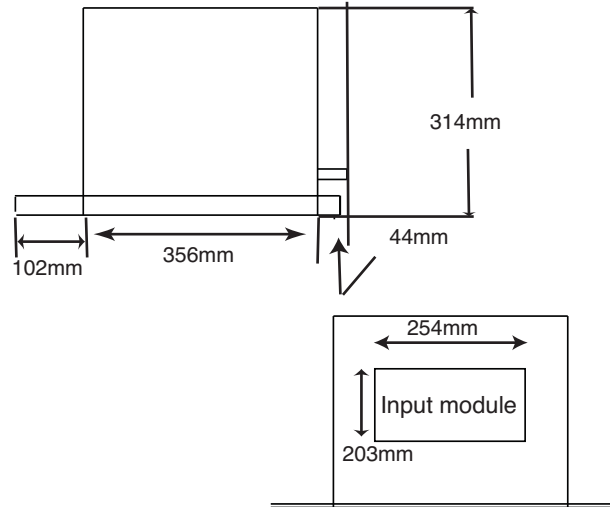
TANNOY®

DIMENSIONAL SKETCHES

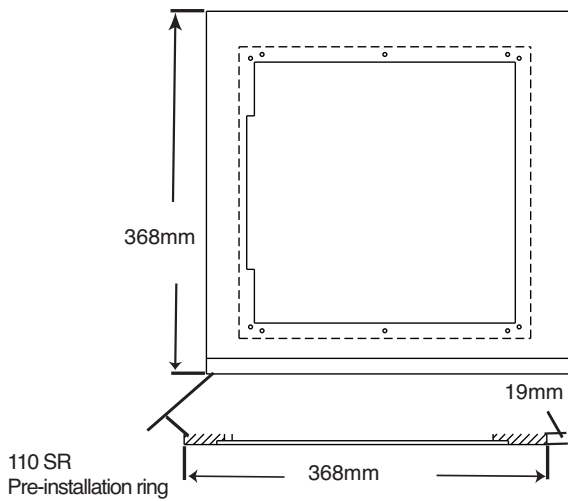
Top Elevation



Side Elevation



Front Elevation



Tannoy United Kingdom
 Tannoy Deutschland
 Tannoy France
 TC | Group Americas

T: 00 44 (0) 1236 420199
 T: 00 49 (180) 1111 881
 T: 00 33 (0)1 7036 7473
 T: 00 1 (519) 745 1158

E: enquiries@tannoy.com
 E: enquiries@tannoy.com
 E: ventes@tannoy.com
 E: info@tcgroup-americas.com

tannoy®.com



NOTES

Architectural specifications

The bass loudspeaker shall consist of a 254mm (10.00") low frequency transducer mounted within a vented direct radiating enclosure. An 203mm (8.00") x 254mm (10.00") input module shall be incorporated into the design to offer multiple system options.

Performance of the loudspeaker, without any electronic control shall meet or exceed the following criteria: Frequency response measured at 1 meter on axis shall be 31Hz - 150Hz (+/-3dB) - active, 41Hz - 150Hz (+/-3dB) - passive. Sensitivity shall be 500mV for rated output on active input module and at least 93dB (half space) on passive input modules for 2.83 Volts @ 1 meter. The system shall be capable of producing a peak output level of 111dB (half space) on axis at 1 meter. The system shall have a nominal impedance of 6 Ohms maximum power handling shall be 200 Watts (programme) on passive input modules.

The enclosure shall be an optimally tuned, vented enclosure constructed of MDF and finished in a textured black fire resistant paint. Input connectors shall be a barrier strip on passive modules and 3 pin XLR female on the active module. The enclosure shall be designed to fit into a sheet rock ceiling, field serviceable, have access to system controls from below and incorporate a pre-installation ring. The enclosure shall not exceed the following dimensions (H x W x D): 314mm x 483mm x 483mm or (12.36" x 19.02" x 19.02").

The bass loudspeaker shall be the Tannoy...110SR.