

Preliminary Specifications: Rocky-III

System Type	6.5" coaxial, two-way, outdoor speaker (optional 64 Watt transformer available)
Impedance (nominal) ¹	4 Ohms (nominal)
Sensitivity dB @ 2.38 V/1m	90 dB
Sensitivity dB @ 1W/1m ²	87 dB
Frequency Response (-3 dB) ³	99 Hz - 17 kHz
Frequency Response (-10 dB) ³	74 Hz - 22 kHz
Max. Program Power ⁴	140 W
Max. Continuous Power RMS ⁵	70 W
Max. Power SPL @ 1 m ⁶	105.5 db
Directivity Factor (Q)	3.1 (averaged 100 Hz - 10 kHz); 3.6 dB (2 kHz)
Directivity Index (DI)	4.0 (averaged 100 Hz - 10 kHz); 5.6 dB (2 kHz)
Coverage Angle (-6 dB @ 2 kHz)	135°
Coverage Angle (-6 dB @ 10 kHz)	95°
Coverage Angle (Ave from 2 to 10 kHz)	105°
Transducer- Low-Frequency Driver	165 mm (6.5 in.) weather resistant
Transducer- High-Frequency Driver	25 mm (1.0 in.) coaxial weather resistant
Enclosure Material	Elastomer reinforced polymer with pulverised stone
Inputs	Wire lead
Color Options	Brown, gray or sandstone
Height	317.5 mm (12.5 in.)
Width	317.5 mm (12.5 in.)
Depth	266.7 mm (10.5 in.)
Weight	6.35 kg (14 lbs.)
Included Accessories	N/A
Optional Accessories	64 Watt transformer
Packaging	1 Per box
Regulatory- CE	Approved
RoHS	Approved

¹ Impedance listed per IEC 60268-5 with a minimum less than 80% the nominal impedance

² 1w/1m sensitivity determined using nominal impedance

³ Frequency response measured in half or full space as dictated by speaker mounting configuration

⁴ Max program power is 3 dB above max continuous power

⁵ Continuous power rating, EIA-426-B test

⁶ Max output based on max continuous power

Rockustics continually develops new product innovations and improvements. Updates to existing products without prior notice are an example of Rockustics drive for constant improvement.

Transformer Taps (optional)

70.7 V	Output	100 V	Output	25 V	Output
64 W	105.0 dB	64 W	105.0 dB	8 W	96.0 dB
32 W	102.0 dB	32 W	102.0 dB	4 W	93.0 dB
16 W	99.0 dB	16 W	99.0 dB	2.0 W	90.0 dB
8 W	96.0 dB	8 W	96.0 dB	1.0 W	87.0 dB
4 W	93.0 dB				

Key Features

- One coaxial 6.5 inch (165 mm) weather resistant low frequency driver and one 1.0 inch (25 mm) weather resistant high frequency driver.
- UV-, scratch-, chlorine- and weather-resistant enclosure with professional-grade components for long-lasting performance and durability.
- Features a granite finish and stylized grille
- Open grille design is suited for placement in dense plants and shrubs.
- Color options: brown, gray or sandstone
- Optional accessories: 64 Watt 70/100 volt transformer

Description

The Rockustics Rocky III is a premium 2-way outdoor loudspeaker solution for installations requiring high-performance sound in a design which matches the aesthetics of its environment. The Rocky III is designed for full-range back-ground/foreground music and paging. The sealed, on-ground enclosure is designed to withstand rain, frost, snow and ice.

Applications

Its natural, weathered stone aesthetic makes the Rocky III an ideal choice for theme parks, promenades, playgrounds, shopping malls, restaurants, resorts, gardens and other outdoor applications. The Rocky III features an open grille design and is suited for placement in dense plants and shrubs, making it ideal for small to medium sized spaces such as pool areas, walkways, and hotel gardens. Rocky III speakers take advantage of an optional 64 Watt transformer (request prior to order) for use in commercial applications.

Enclosure Technology

All Rockustics cabinets are constructed from a non-polluting stone and resin compound. The cabinets maintain a natural aesthetic, weather and age naturally, and are an earth-friendly alternative to plastic construction. To ensure 100% water- and weatherproofing, all Rockustics products come as a sealed unit. Therefore, the inclusion of optional transformers must occur prior to completion by manufacturer.

Patented Rockustics Technologies

Rockustics and MSE Audio constantly develops new technologies that enhance audio product performance. Rockustics innovations are protected by multiple U.S. and international patents. MSE Audio actively defends its patents in order to protect Rockustics resellers and end users.

Technical Data and Specification Tools

Technical Data

Rockustics strives to provide complete and effective technical information and data to dealers, engineers and designers. All data are available from Rockustics or at www.rockustics.com.

Technical data and downloads include:

EASE™ data - 3-D polar plots

EASE™ Address - 2-D modeling for distributed systems

Autodesk® Revit® software

Tech sheets - Technical information and architectural specs for system engineers

Data Acquisition and Verification

All performance data acquired within MSE Audio are analyzed using a variety of standard measurement techniques, including Measured Length Sequence (MLS) and Time Delay Spectrometry (TDS). Performance, development, and data acquisition tools include: Gold Line TEF 20, CLIO, LMS, LEAP, and proprietary modeling software. EASE™ data are acquired through an automated CLIO/Outline/ EASE™ interface.

Architectural Specifications

The loudspeaker shall be an on-ground, coaxial design consisting of one 165 mm (6.5 in) low-frequency transducer and one 25 mm (1.0 in.) high-frequency transducer. The low-frequency voice coil diameter shall be 25 mm (1.0 in).

Performance specifications of a typical production unit shall be as follows: Usable frequency response shall extend from 74 Hz – 22 kHz. Measured sensitivity (2.83 Volt input, 1 meter) shall be at least 90 dB. The loudspeaker shall have a nominal impedance of 4 Ohms.

The enclosure shall be constructed of a non-polluting elastomer reinforced resin polymer with pulverised stone. Color options shall be brown, gray or sandstone. All transducers and network circuitry are weather resistant and ship in a sealed enclosure.

The external wiring input connector shall be hardwire leads. The overall cabinet dimensions shall be no more than 317.5 mm (12.5 in) in width by 317.5 mm (12.5 in) in height and 266.7 mm (10.5 in.) in depth. The unit shall weigh no more than 6.35 kG (14.0 lbs).

The system shall be the Rocky III for both low and high impedance applications.

Rockustics

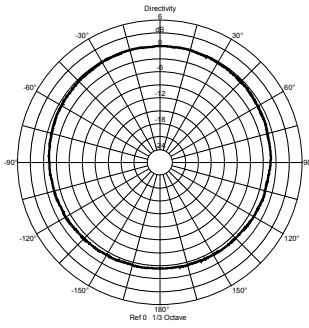
8005 W 110th Street, Suite 208
Overland Park, KS 66210
Phone: 913.663.5600
Fax: 913.663.3200

www.rockustics.com

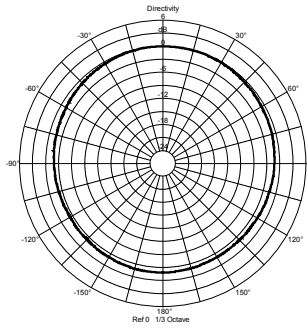
All Rockustics products come with a 10-year limited warranty.

Polar Plots

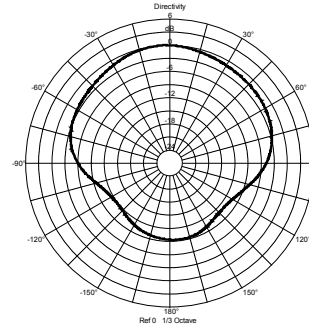
125 Hz



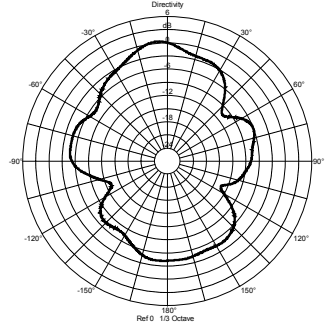
250 Hz



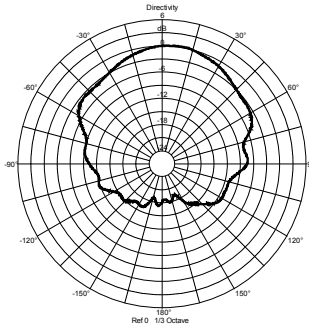
500 Hz



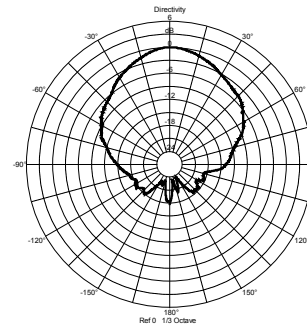
1,000 Hz



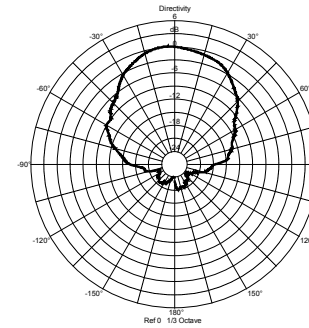
2,000 Hz



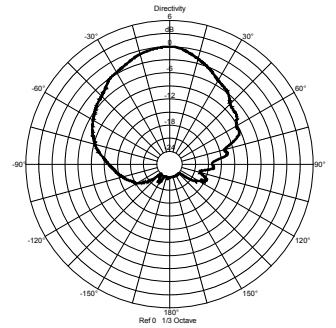
4,000 Hz



8,000 Hz

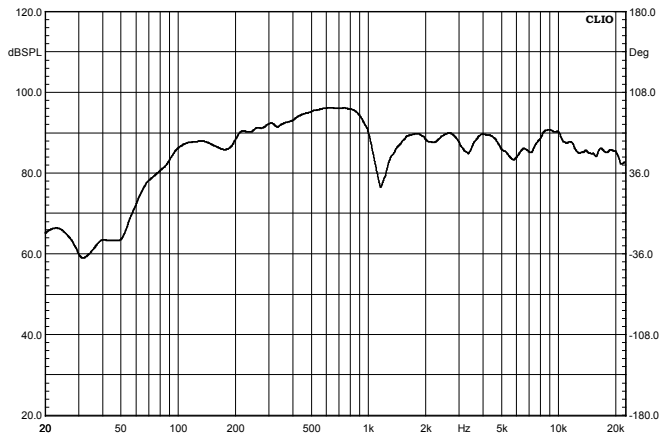


10,000 Hz



Graphs and Plots

Frequency Response



Impedance/Phase

