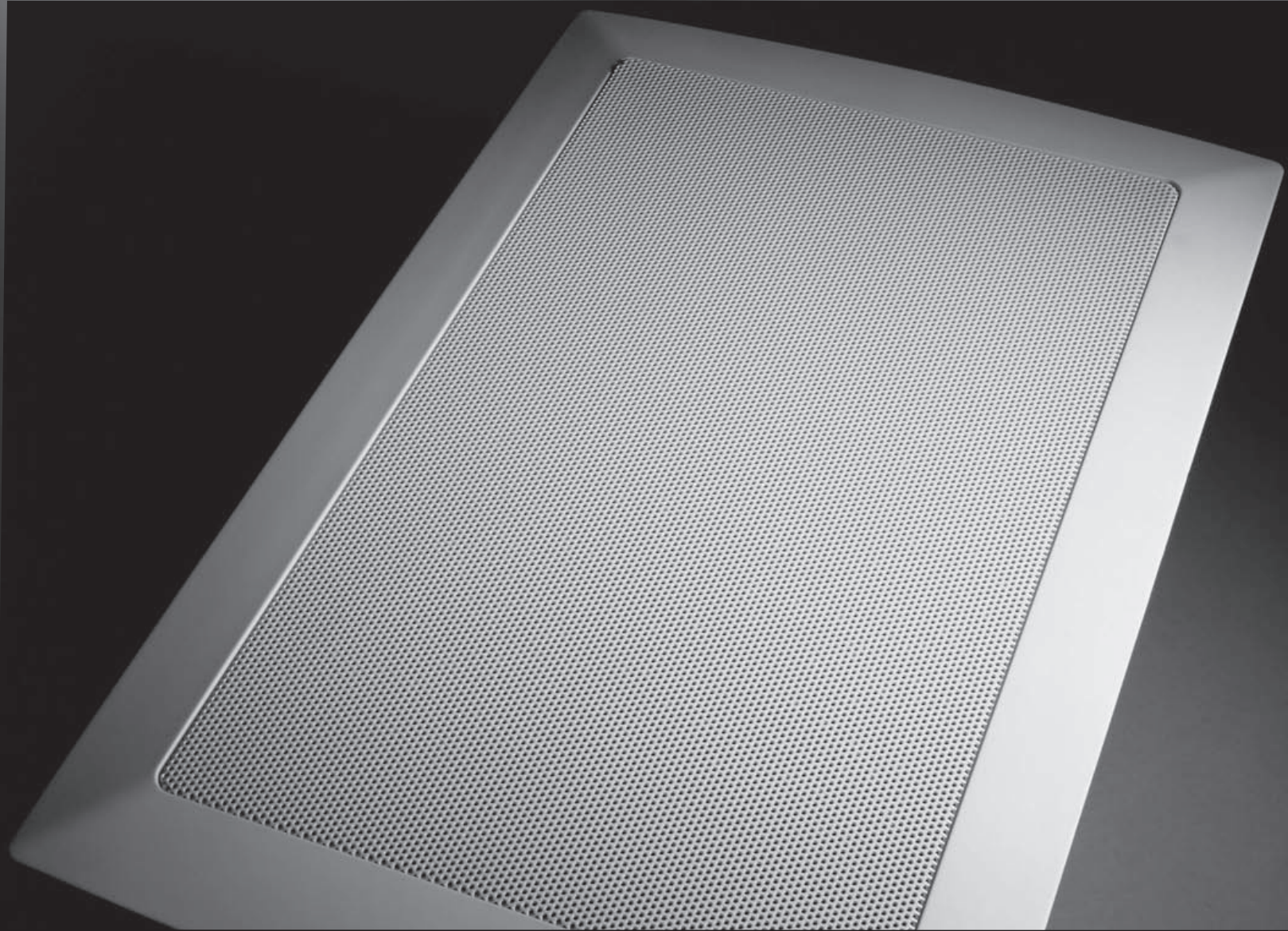


TANNOY IN | WALL



 **DUAL™**
CONCENTRIC

 **WIDEBAND™**
TECHNOLOGY

iw6 DS iw6 TDC iw62 TDC
iw62 TS Subwoofer
OWNER'S MANUAL

IN|WALL

O W N E R ' S M A N U A L

CONTENTS

INTRODUCTION	2	GRILLES	10
MODEL VIEW	3	SPEAKER LOADING VOLUME	10 - 11
CABLE CHOICE	4	PERFORMANCE DATA	12
STAND MOUNTING MODELS	5	TECHNICAL DRAWINGS	13 - 18
WALL CLAMP MECHANISM	7	TECHNICAL SPECIFICATIONS	29 - 20
INSTALLATION	8 - 9	NOTES	21

WARRANTY

As part of the MUSIC Group, Tannoy is committed to providing the highest quality products, service and user experience for our customers. One element of this commitment is our after sales support which now incorporates our extended Limited Warranty. In the event of any concern that is not addressed by this extended Limited Warranty we would ask you to contact us at care@music-group.com

For full warranty details including the extended Limited Warranty, please visit <http://www.music-group.com/warranty.aspx> and register your purchase online at www.music-group.com or www.tannoy.com

Thank you for selecting Tannoy loudspeakers; developed in the UK by our dedicated team of design engineers, they are the choice of discriminating music and movie lovers the world over. Excellence is designed into our loudspeakers from the start. Careful selection of the very best components combined with strict quality control procedures during the production process ensures this level of excellence is maintained. We feel confident that you will enjoy your new Tannoy loudspeakers for many years to come.

Please take time to read the rest of this owner's guide before using your loudspeakers to gain maximum effect from their use. Once you have installed your new loudspeakers please complete and return the registration document – this does not limit your legal rights.

Loudspeakers are electromechanical devices that 'run-in' through use; performance will therefore improve after an initial period of 24hrs continuous use. Once they have been further run-in over a considerably longer period, there will be clear enhancement of the stereo imaging, mid-band quality and bass performance characteristics.

INTRODUCTION

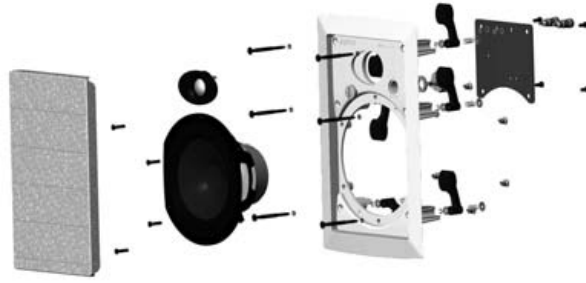
Many in-wall and ceiling loudspeaker are designed simply to reproduce sound without any consideration for ultimate audio quality and vocal articulation. Not so with Tannoy installation products. Tannoy in-wall speaker systems are monitor quality speaker systems based on the company's expertise in the manufacture of premium quality cabinet loudspeakers and studio monitors.

Exclusive drive unit designs and wide bandwidth technology ensure that these in-wall loudspeakers deliver the performance that is essential for applications such as multi-room distributed audio installations, home theatre systems and discrete audio systems, as well as in the many other applications where space is at a premium but ultimate sound quality is still paramount.

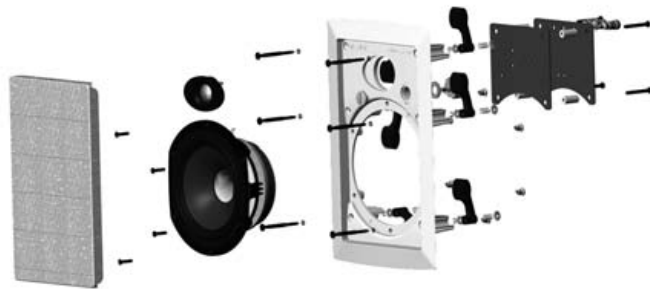
The speaker construction is based around a rigid moulded ABS baffle with excellent structural integrity; this, when combined with the secure polycarbonate eight clamp mounting system (patent applied for: 0316892.9), ensures a performance enhancing rigid acoustic coupling with the wall surface and an immensely stable platform for the drivers to deliver optimum performance.

Complementing any style of décor, the perforated metal grille and low profile mounting frame can be painted to blend in seamlessly with the domestic environment. The result is a system offering audiophile quality sound with minimal invasion of the living space.

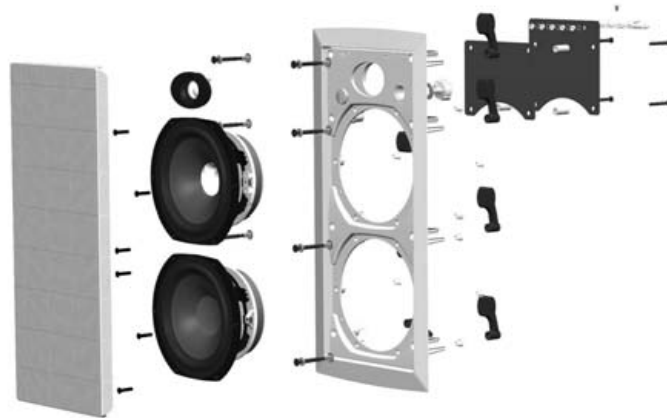
iw6 DS DISCRETE MODEL



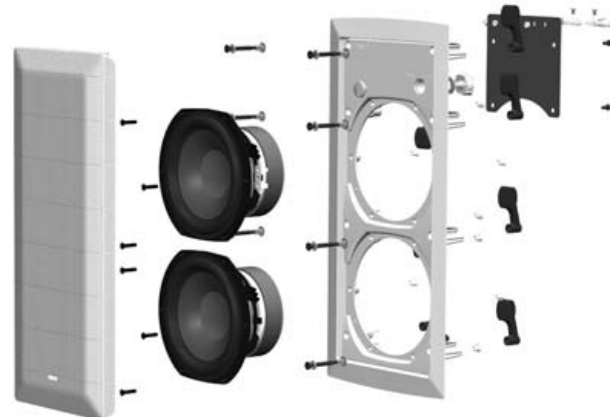
iw6 TDC DUAL CONCENTRIC™ MODEL



iw62 TDC DUAL CONCENTRIC™ MODEL



iw62 TS SUBWOOFER MODEL



CABLE CHOICE

AMPLIFIER MATCHING

Consult the product specifications for the acceptable power range for amplifier matching. The high peak power handling of Tannoy loudspeakers permits responsible use with more powerful amplifiers – please read the Warranty.

As with all loudspeaker systems, the power handling is a function of voice coil thermal capacity. Care should be taken to avoid overdriving any amplifier, as this will cause output overload resulting in ‘clipping’ or distortion within the output signal. If amplifier output overload conditions exist for an extended period then the loudspeakers can be damaged.

Generally a higher power amplifier running hard, but free of distortion, is less likely to damage the loudspeaker than a lower power amplifier continually clipping. Remember also that a high powered amplifier running at less than 90% of output power generally sounds a great deal better than a lower powered option struggling to achieve 100%. An amplifier with insufficient drive capability will not allow the full performance of the loudspeakers to be realised (refer to the specification table in this manual for recommendations).

CABLE CHOICE

Always use the best quality of cable available within your budget. High quality audio signals passing from the amplifier to the loudspeaker are unusual in their demands on the cable. Wide dynamic range and frequency bandwidth information has to coexist with the ability to transmit peak currents of at least 10amps, without incurring any loss or signal impairment. This explains why the sound quality of the information reproduced by the loudspeakers is so dependant on the physical properties of the cables connecting them to the amplifier.

Technically, we recommend two-core cable with cross section area not less than 1.5mm² (14 gauge) for cable runs of up to 3 metres. For longer lengths we would suggest that you use cable with a minimum cross sectional area of 2.5mm² (12 gauge). We do not recommend the use of braided (Litz) or small diameter coaxial cables as these have a high capacitance that may affect the stability of certain amplifiers.

WIDEBAND™ TECHNOLOGY

Tannoy has incorporated its own WideBand™ technology into the design of each of the in-wall loudspeakers. Not only does this exceptional in-house technology resolve the fine detail of high frequency information but it also effectively enhances the listening experience throughout the whole frequency range. The WideBand™ high frequency system creates an increased immediacy, airiness and impact, making music sound more natural and true to life.

Music contains transient information and rich harmonics beyond the range of human hearing for pure tones. Even bass notes have leading edge transients reaching 30kHz. Operating between the roll-off point of the exclusive Tannoy mid-bass or Dual Concentric™ drive units and 51kHz, the Tannoy WideBand™ high frequency unit will accurately reproduce the leading edge of individual notes allowing the listener to experience the entire bandwidth information of instruments.

In addition, the extension of the frequency response, by fully two octaves, corrects time and phase response within the bandwidth of normal human hearing. Taking these acoustical phase anomalies beyond the audible range adds realism to the soundstage through improvements in imaging and the placement of instruments.

DRIVER TECHNOLOGY

The Tannoy In-wall range utilises three different driver arrays, the iw6 DS, a discrete two-way driver set-up, the iw6 TDC, a two way utilising the exclusive point source, constant directivity driver, the Tannoy Dual Concentric™ with additional SuperTweeter™, and the iw62 TDC, which is based on the iw6TDC, but with an additional bass driver for high power applications.

iw6 DS DISCRETE MODEL

The main bass and mid-range driver, built around an immensely strong chassis, is used in the entry-level model in the range. Its rigid construction controls the energy created by its long throw driver with consummate ease, a crucial factor in creating a drive unit capable not only of high power delivery and tremendous bass output, but also of great subtlety and finesse.

The clean and open midrange performance of the iw6 DS is further enhanced through smooth transition to the extended bandwidth performance of the exclusive Tannoy WideBand™ high frequency unit.



iw6 TDC DUAL CONCENTRIC™ MODEL

The latest Tannoy Dual Concentric™ driver has been incorporated into the iw6 TDC. Intensive research and development has produced an all-new version of this proven technology that builds upon the legendary performance of this exclusive Tannoy driver design.

The time coherent, point source and constant directivity nature of the dispersion characteristics inherent in the Dual makes it an accepted industry standard in studio monitoring. By exceeding the rigorous demands of the recording and mastering environment Tannoy can ensure that playback performance in the home, whether installed in two channel stereo, multi channel home cinema or in distributed audio multi-room applications, is strictly controlled to accurately reflect the sound engineers artistry.

In nature all sounds emanate from a single point in space. The high frequency unit of the Dual, centrally mounted in the throat of the main mid/bass driver, is so positioned as to acoustically replicate this single point source; delivering an open and natural sound with a very wide imaging 'sweet spot', which creates an expansive soundstage with remarkably focused placement of vocals and instrumentation.

This class leading performance is further enhanced by the inclusion of a Tannoy SuperTweeter™ to extend the frequency bandwidth to over 50kHz. Greater precision, tighter imaging and increased presence are assured throughout the entire audible frequency band; even with normal Red Book Standard 20kHz limited CD software.



iw62 TDC DUAL CONCENTRIC™ MODEL

This model also uses the latest Tannoy Dual Concentric™ driver and SuperTweeter™ combination, but also incorporates a bi-wiring facility and a further bass driver to extend the low frequency performance down to 34Hz with a continuous power handling of 125W RMS.

Ideally suited to larger installations where higher power output is required, these loudspeakers offer premium performance for home theatre or multi room distributed audio systems. Additionally, they are designed for commercial applications such as small venues, restaurants, bars, business music systems and a vast array of other public building installations. The integrity of the acoustic balance, allied to the class leading vocal intelligibility of the Dual Concentric™ driver, enables the whole Tannoy in-wall range to emulate the industry recognised performance values of the Tannoy professional and residential cabinet based loudspeakers.



iw62 TS SUBWOOFER MODEL

This model has been designed to compliment the Tannoy iw range, by augmenting the low frequency output. With a continuous power handling of 200W RMS, the iw62 TS is capable of delivering impressive results in large domestic installations, and well as commercial applications such as small venues, restaurants, bars, public buildings and business music systems.

The iw62 is unique in that it can operate in either passive or active mode, selectable by a switch on the baffle, and mono or stereo mode, by means of link wires on the circuit board. In active mode, the use of an external controller allows low frequency extension and equalization to be applied, and the crossover point to be tailored to the rest of the system and room.



To avoid potential damage to your loudspeaker, ensure that the amplifier is switched OFF prior to connecting or disconnecting any cables. Before switching on double check that all connections are secure and that polarity is correct.

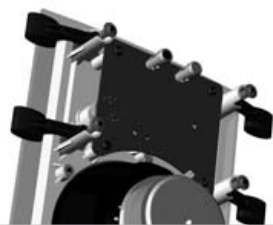


Fig 6: iw6 DS

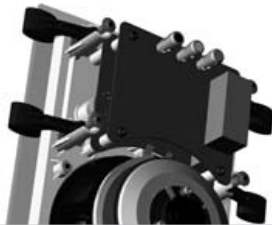


Fig 7: iw6 TDC

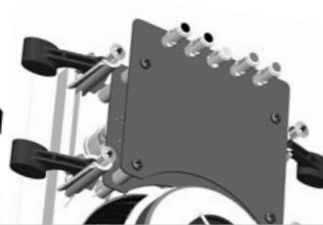


Fig 8: iw62 TDC

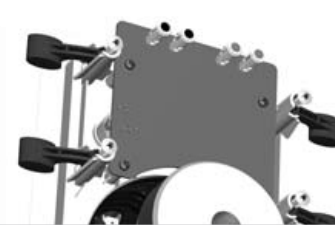


Fig 9: iw62 TS

CONNECTION IN SINGLE WIRE MODE

The robust spring loaded terminals are designed to take substantial high quality loudspeaker cable. Strip off approximately 8mm (1/4") of the outer protective layer and twist the inner cores together. Depress the spring-loaded terminal and insert the core ensuring that correct polarity is maintained – see Figs 6 to 8.

On the iw62 TDC optimum performance in single wire mode will be achieved if loudspeaker cable connections from the amplifier are made to the high frequency (HF) terminals of the loudspeaker – see Fig 8.

CONNECTION IN BI-WIRE MODE - iw62 TDC

Please note in bi-wire mode that the link wires must be cut. Two sets of cabling are required for each speaker: one for the LF (low frequency) connection and one for the HF (high frequency) connection.

If your amplifier is not equipped with separate output terminals for bass and treble information then, at the amplifier end of the cables, twist the LF+ (positive) and the HF+ (positive) together. Connect these to the amplifier channel positive terminal marked + (plus) or coloured red. Twist the LF- (negative) and the HF- (negative) cables together and connect them to the amplifier channel negative terminal marked - (minus) or coloured black.

At the loudspeaker end connect the LF+ and LF- cables to the loudspeaker LF terminals, ensuring that you note the polarity markings on the cable sheathing. Then proceed to connect the HF+ and HF- to the HF terminals on the same loudspeaker – see Fig 8.

CONNECTION OF EARTH OR 'GROUND' LEAD – iw6 TDC, iw62 TDC

Both models have an extra spring loaded terminal designed to optimise performance further by taking advantage of the driver earthing facility. Use a shielded or screened loudspeaker cable; connecting the screening termination to the earth or 'ground' (green) terminal on the loudspeaker and to the ground or earth connection on the amplifier. Alternatively if you are not using a screened loudspeaker cable but wish to utilise the earthing facility, run a single cable between the earth or 'ground' (green) terminal on the loudspeaker to the earth (ground) connection on the amplifier.

The earth (green) terminal comes fitted with a blanking plug. Remove this to insert the cable but retain the plug for future use. The product should not be installed without either this plug or a cable in place as the energy from the driver can in extreme cases cause audible resonance – see Figs 7 and 8. Switch the amplifier on with the volume control set at its lowest setting. Select a favourite source and slowly turn up the volume to a low level. Check that bass and treble information is being reproduced from the speaker – if not, switch off the amplifier and recheck the connections.

BI-AMPING iw62 TDC

Bi-amping extends the principle of bi-wiring one stage further. In this connection option, separate power amplifiers are used for bass and treble signals in each loudspeaker. Ensure that the link cables have been cut and that correct polarity is maintained throughout. If two stereo amplifiers are used, it is recommended that one supplies bass information to the loudspeakers and the other, the treble information - see Fig 8.

CONNECTING THE iW62 TS

The iW62 TS may be operated in mono or stereo, and in each of these modes either passively or actively. In passive mode, the internal low pass filters provide the transition to the main speakers, while in active mode they are bypassed, to allow the use of an external controller and power amplifier. This mode of operation is preferred for optimum performance, as it allows low frequency extension and equalization to be applied, and the low pass crossover to be optimally configured to the main speaker setup and room characteristics. Passive or active operation can be set by the front baffle switch, behind the grille.

For mono operation, run one set of cabling from the spring terminals not containing blanking plugs, back to the amplifier, ensuring correct polarity. Note, in mono operation, the speaker presents a 4 ohm nominal load.

For stereo operation, first cut the two link wires located between each pair of spring terminals and remove the two blanking plugs, which were fitted to ensure unused terminals do not buzz. Each drive unit can now be accessed separately, using the pairs of terminals labeled either '1' or '2' with two sets of speaker cabling. Each channel now appears as an 8 ohm load.

The terminal arrangement is illustrated in Fig 9.

WALL CLAMP MECHANISM

Please consult the INSTALLATION section of this manual before proceeding.

A unique eight clamp mechanism (patent applied for: 0316892.9) has been designed to provide the acoustically optimum bond to the wall surface without risk of distortion to the loudspeaker baffle.

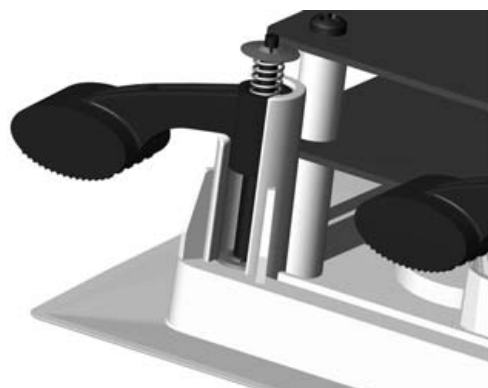


Fig 10:

The iW6 DS and TDC models have six mounting clamps and screws while the iW62 TDC and iW62 TS has eight. As these eight screws are tightened the immensely strong polycarbonate clamping arms will automatically swing round into the locking position, locating securely to the inside of the wall surface.

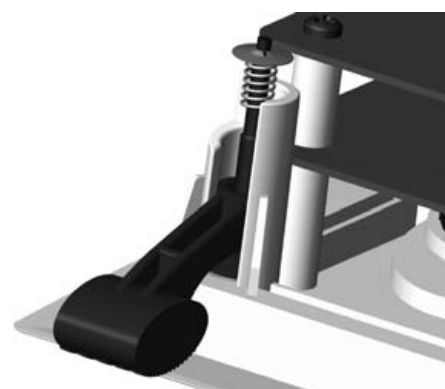


Fig 11:

The design also allows for simple removal or reorientation of the loudspeaker.

The spring-loaded clamp mechanism ensures that as the screws loosened (turned anti-clockwise) the clamp arm travels along its guide before turning itself into the rest position. The captive locking system ensures that the clamp arm cannot drop off the end of the screw to be lost in the wall cavity.

IMPORTANT

Get all the clamps in the rest position by loosening all screws before attempting to remove the speaker from the wall.

INSTALLATION

WARNING

If adding new speakers to an existing installation, or simply replacing old ones, you must ensure that the amplifier driving the system is switched **OFF**.

WARNING

Prior to proceeding with the installation ensure that you determine the position of electrical cabling, pipe work and wall studs. Having selected a wall location clear of any obstruction measure carefully to ensure the correct placement.

PAINTING

Before proceeding with the installation the grille and baffle panel can be painted to blend with the surrounding décor.

- When painting the baffle be sure to carefully mask off the driver assemblies. It is important to ensure that paint does not come into contact with the cone, roll surround or HF unit. It is strongly recommended that the metal perforated grille is sprayed as this will avoid clogging of the holes. If painting with a brush is the only option then several thin coats of paint will provide a superior finish to that achieved by one applied too thickly.
- The speaker is supplied with a sheet of acoustically transparent protective foam fixed to the inside of the grille. Having painted the grille to match the room décor please remove the original foam and replace with the spare sheet supplied in the accessory pack. It is important that this replacement foam is bonded to the grille over its entire area, using a suitable spray adhesive. Failure to do so will result in audible resonance.

OVERVIEW

Tannoy In-wall loudspeakers have been designed for installation into standard stud partition wall systems constructed with 102mm by 51mm (4" by 2") timber at 406mm (16") centres. However, it is envisaged that they will generally be used in cavity wall installations constructed with standard thickness plasterboard. These are guidelines and therefore do not preclude use of the Tannoy In-wall products in different locations and a wide range of other wall construction types as long as they have a secure clamping surface up to maximum thickness of 25.4mm (1").

Driver cone movement at low frequencies may become excessive unless steps are taken in the wall cavity void behind the loudspeaker to provide a well sealed and accurately controlled rear 'enclosure' volume, this will effectively act as an 'enclosure' behind the speaker (see Speaker Loading Volume section in this manual). Failure to ensure this will affect the bass and midrange performance unfavourably.

POSITIONING

There is a great deal of mounting location flexibility with both models when used in home cinema or multi channel systems. In particular, please note that due to the unique point source symmetrical dispersion properties of the Tannoy Dual Concentric™ drive unit, the model iw6TDC can be mounted in either portrait (in stud partition wall situations) or landscape positions where sufficient space exists behind the wall surface.

To achieve the optimum spectral and stereo performance select your mounting location as follows:

• Vertical plane

Align the front baffle centres at intended listening height, usually dictated by the normal seated listening position. For audio use, when positioned in front of the listener, this will usually be in the range of 1100mm to 1700mm (43" to 67"). As home cinema rear effects speakers mounted on the rear walls of the room, the mounting height range is 1530mm to 2140mm (60" to 84").

• Horizontal plane

The loudspeakers should be located between 1500mm to 4500mm (60" to 180") apart – the room size and shape will dictate the final mounting location, but generally the listening position, when used as a stereo pair, should be set slightly further away than the speakers are apart.

Where the In-walls are used as rear effects speakers in a home cinema system the ideal viewing point will establish the distance from the rear wall to the listening position. Avoid positioning the loudspeakers in corners of the room, as this will have a negative effect on performance; maintain a distance of 1000mm (39") from a corner.

SPEAKER FITTING

REMEMBER.... MEASURE TWICE – CUT ONCE!

- ⦿ Once the mounting location has been selected use the template provided to mark out the area of wall material to be cut out. Carefully remove the waste, checking again that there are no interferences from studs/wire/pipes etc.
- ⦿ Install the loudspeaker cabling ensuring that the wiring route is laid clear of all screws and nails that could potentially damage the cable insulation.
- ⦿ Allow sufficient cable length at the speaker end to allow for unrestricted connection.
- ⦿ It is necessary to block off the void behind the speaker by suitable means (insulation material or foam) to create an “enclosure” area. This will offer the speaker the required loading volume as detailed in the specification section of this manual.
- ⦿ It is important to provide some acoustic damping between the speaker and the rear wall surface. We recommend use of a BAF sheet (Bonded Acrylic Fibre). Ensure that materials used comply with local fire and building regulations.
- ⦿ Strip 8mm (1/4 inch) of shielding from the end of the speaker cables in preparation for connection to the spring terminals on the rear of speaker.
- ⦿ Check that the clamping arms are aligned as shown prior to insertion in the wall.
- ⦿ Connect the speaker cable observing the correct wiring polarity. The positive terminal (marked + and coloured red) should receive the positive cable (usually marked with a repeated stamped name, line or raised rib) and the negative terminal (marked – and coloured black) the negative cable.
- ⦿ Insert the baffle into pre-prepared hole in the wall, ensuring that the speaker wire is located securely away from the driver – contact with the driver cone will cause annoying buzzes.
- ⦿ Each of the eight clamp screws can now be tightened (clockwise). Starting at one corner then moving to the opposite corner, tightening sufficiently to check for visual orientation, before proceeding to tighten the other two corners. Finish off by tightening the four middle clamps.



Fig 12: clamps in preinstall position

WARNING

Do not over tighten the screws – this is unnecessary to achieve a strong acoustic seal to the wall and risks damaging the wall surface

- ⦿ Repeat the installation procedure for the other loudspeakers and complete the connection process to the amplifier. Once again ensure that correct cable polarity is observed.
- ⦿ Switch on the amplifier with the volume control at its lowest setting. Select a signal source and slowly turn up the volume to a low level. Check that bass and treble information comes from both speakers – if not, switch off the amplifier and recheck the connections.
- ⦿ Carefully check the area surrounding the installation and ensure that there are no buzzes or rattles that could potentially impair enjoyment of the system – If there are then locate and silence the causes using cable ties or suitable packing material.
- ⦿ Optimum performance will be assisted by the use of silicone sealant to seal gaps between the studs and the wallboard material. This cavity sealing will help to create a near airtight seal. Do not silicone the baffle to the wall as the clamping mechanism creates an effective bond.

Clamps in the install position

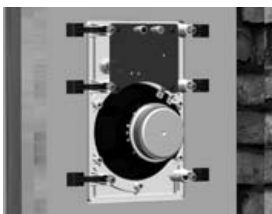


Fig 13: iw6 DS

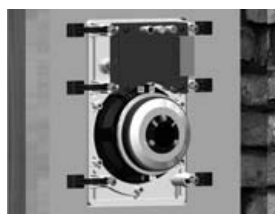


Fig 14: iw6 TDC

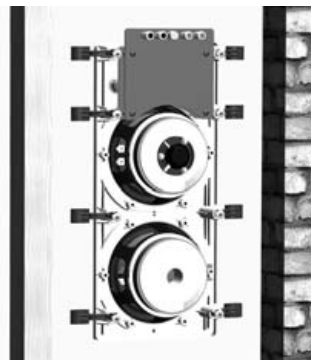


Fig 15: iw6 TDC

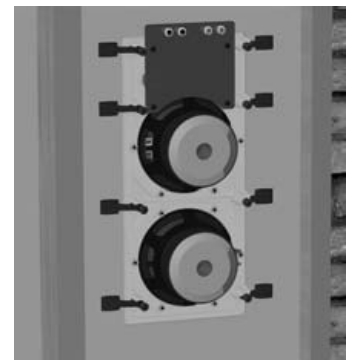


Fig 16: iw6 TS

GRILLE FITTING AND REMOVAL

- ⊙ The grille should be carefully fitted to the front baffle aperture, by lining up the edges of the grille carefully with the baffle. To avoid indentation damage do not press the centre of the grille; apply even pressure to the corner as it is pressed firmly into position.
- ⊙ To remove the grille loop an opened paper clip, or similar length of firm wire, through two holes near a corner and pull gently. The grille is intended to be a tight fit, so insert the wire at each corner in turn pulling carefully to avoid distortion of the mesh.

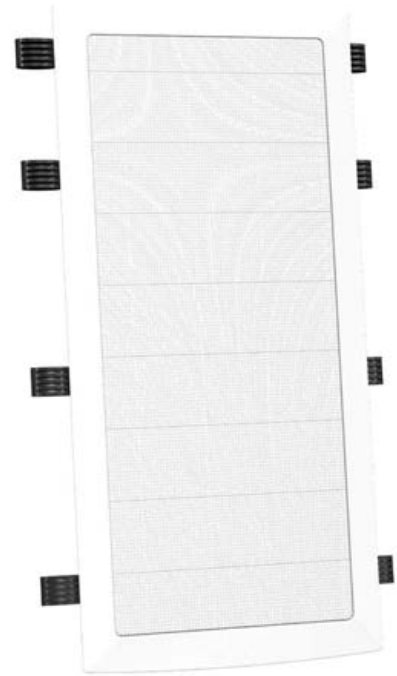


Fig 17: iw62 TDC and iW62 TS grille detail

NOTE

SPEAKER LOADING VOLUME

There are two simple approaches to achieve a sealed 'enclosure' to provide the correct driver loading area behind the speaker. The chosen method will depend on whether the wall is under construction, as in a new building project, or an existing wall where access is limited.

Option 1

Stud partition walls under construction, with 102mm by 51 mm (4 by 2 inch) timber at 406mm (16 inch) centres.

- ⊙ Block off the cavity, above and below the intended speaker opening, with the same framing timber. The distance between these two internal barriers should be

iw6 DS	410mm (16")
iw6 TDC	550mm (21 1/2")
iw62 TDC	825mm (32 1/2")
iw62 TS	825mm (32 1/2")

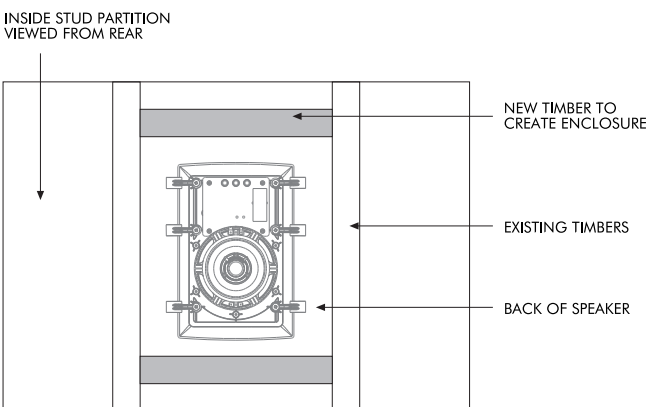


Fig 18 : STUD PARTITION UNDER CONSTRUCTION – 16" TIMBER CENTRES

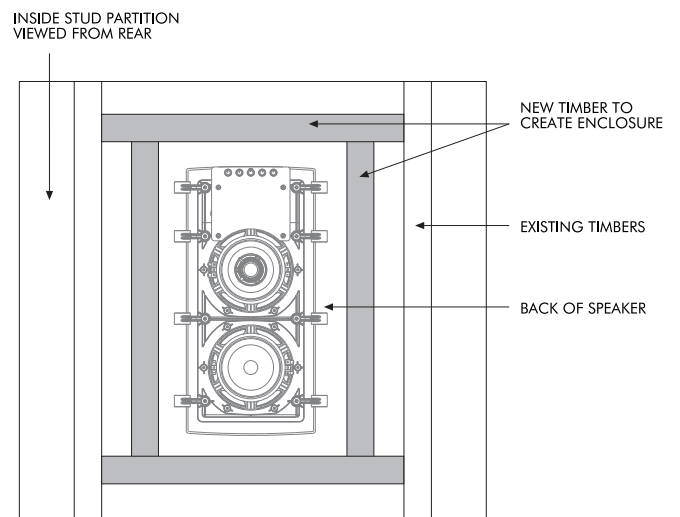


Fig 19 : STUD PARTITION UNDER CONSTRUCTION – TIMBER CENTRES OVER 16"

NOTE

SPEAKER LOADING VOLUME

Existing timber stud partition, or any other wall type constructed with a 102mm (4 inch) cavity depth.

Many professional installers use a "doughnut" of compliant material, which can be inserted as a tight fit between the two surfaces of the partition or into the wall cavity. The length of the internal surface of the strip of material determines the 'enclosure' volume. For each model cut the strips into lengths listed per model below and insert in the cavity; joined to form a ring that will ensure the correct volume - see Fig : 20

iw6 DS	1380mm (54")
iw6 TDC	1570mm (62")
iw62 TDC	1920mm (75 1/2")
iw62 TS	1920mm (75 1/2")

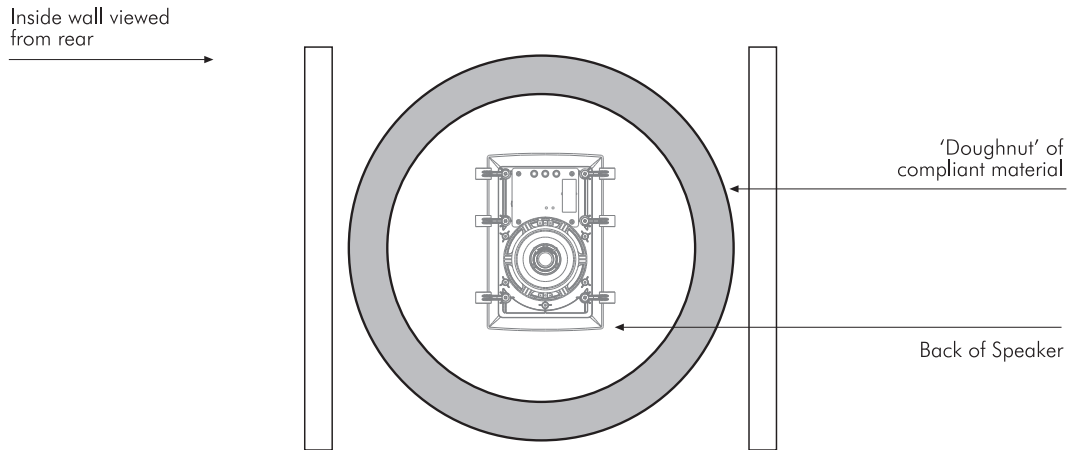
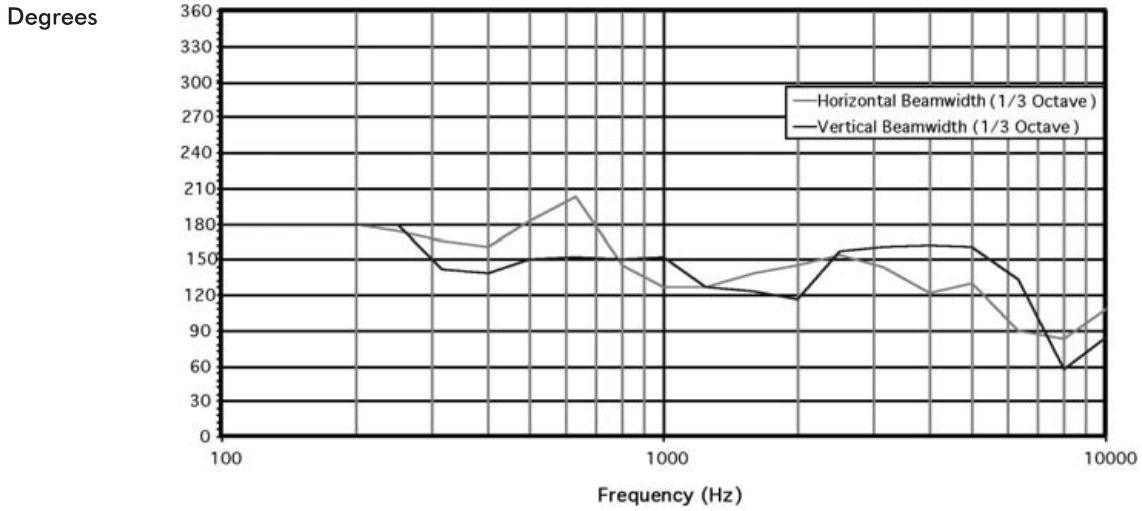


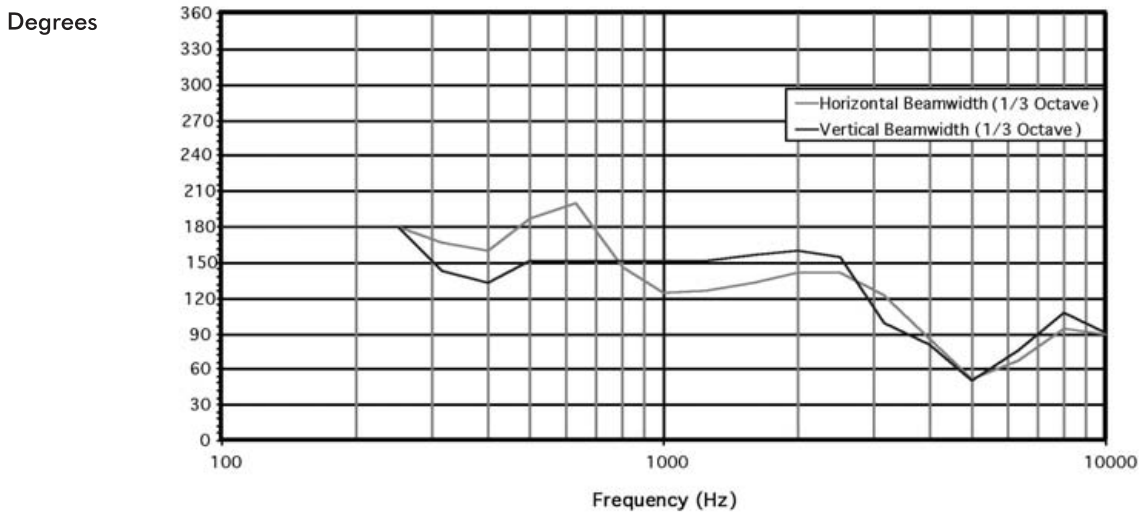
Fig 20: Stud partition or wall cavity using compliant material of appropriate thickness to create a tight seal

Beamwidth vs Frequency



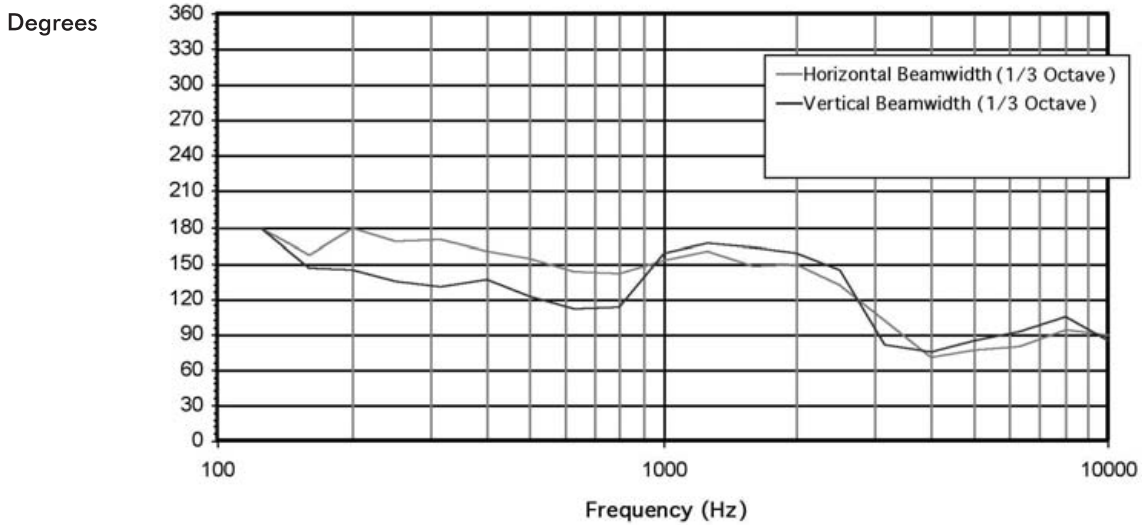
iw6 DS @ 1m

Beamwidth vs Frequency



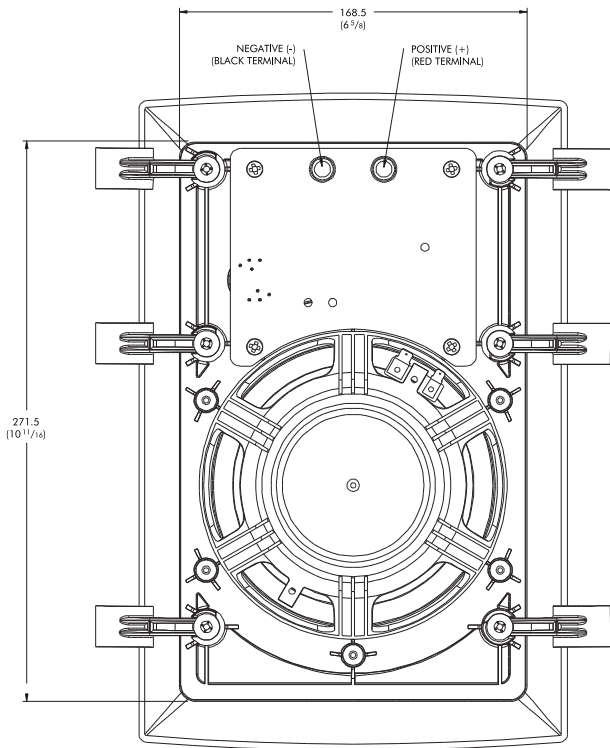
iw6 TDC @ 1m

Beamwidth vs Frequency

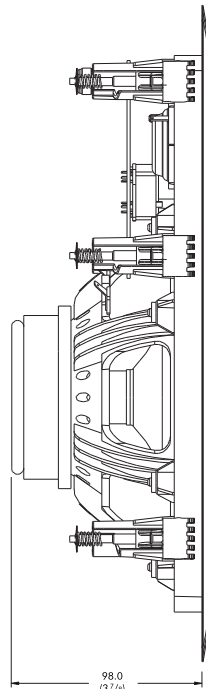


iw62 TDC @ 1m

iw6 DS DISCRETE MODEL

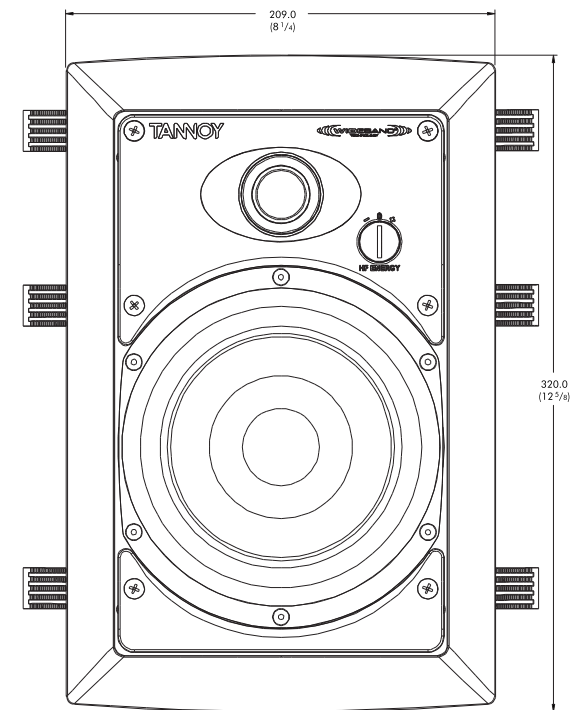
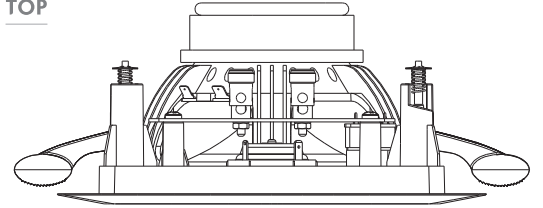


REAR

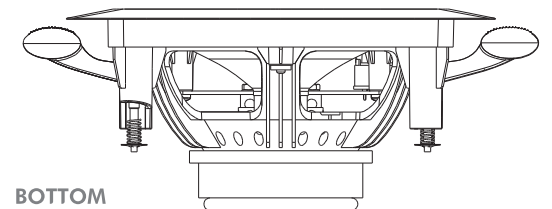


SIDE

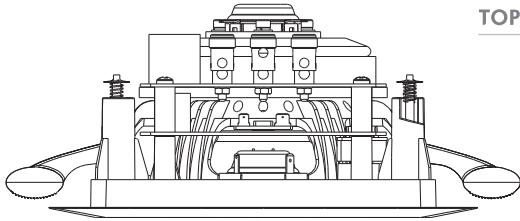
TOP



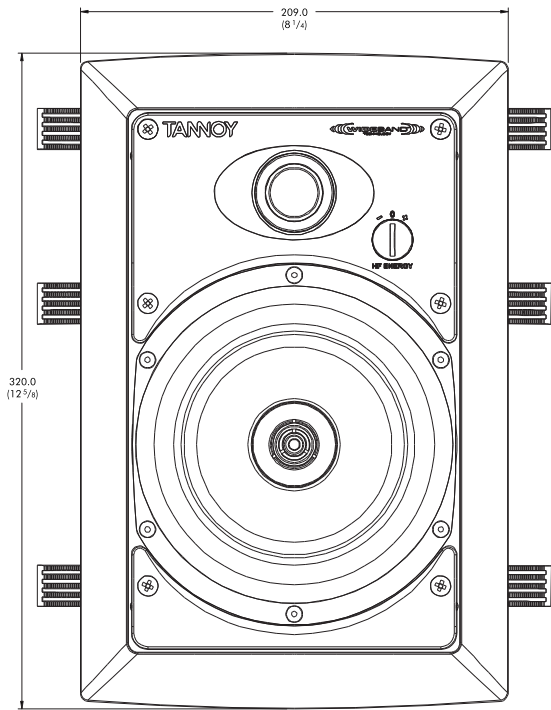
FRONT



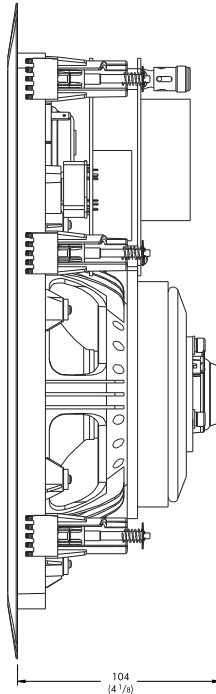
BOTTOM



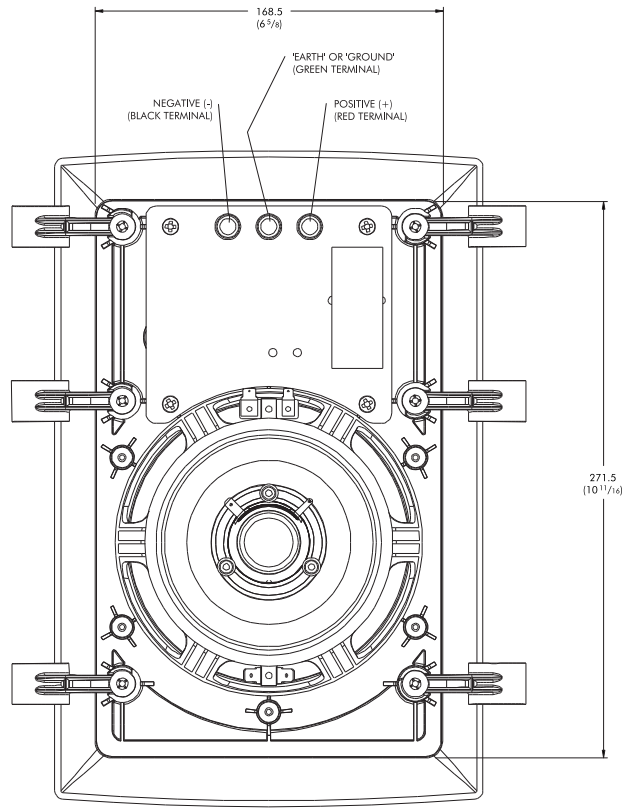
TOP



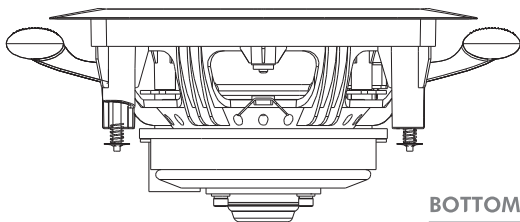
FRONT



SIDE

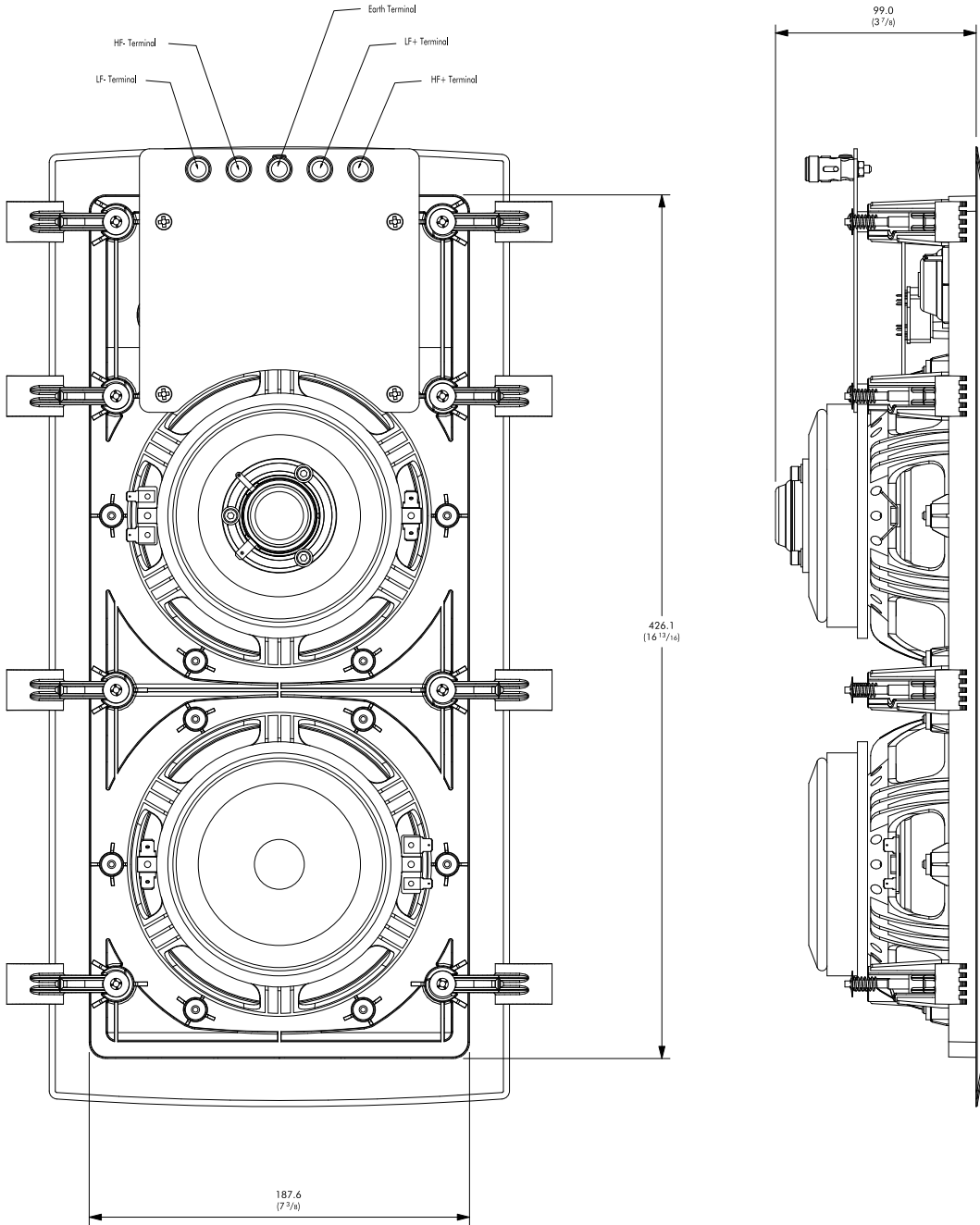


REAR

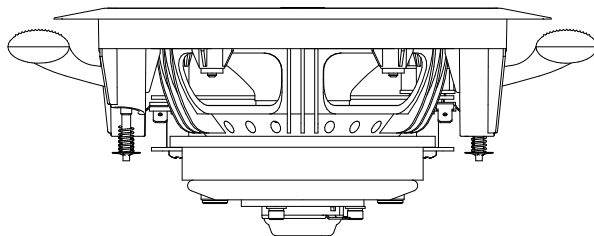
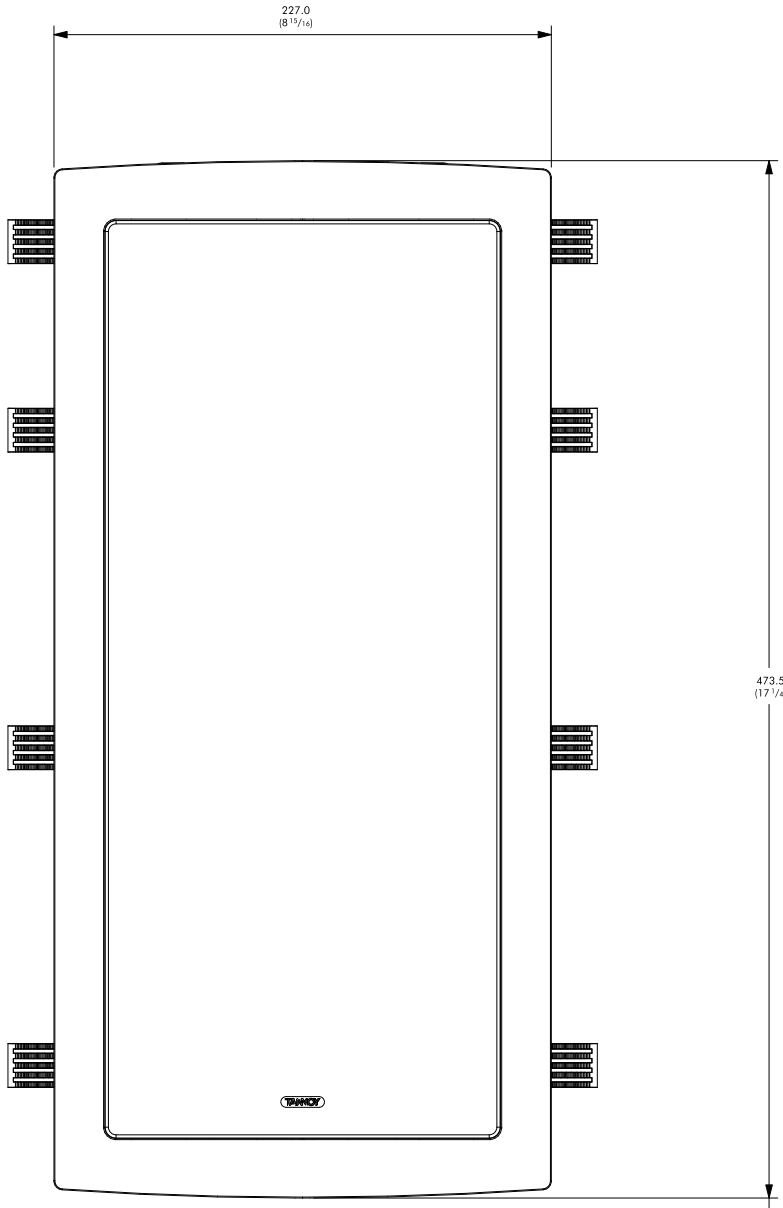
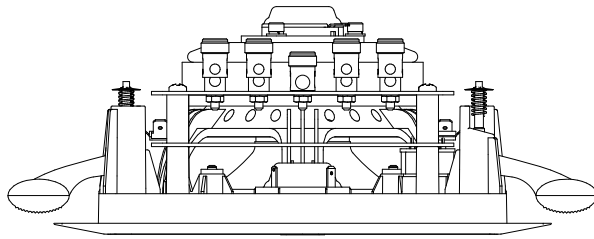


BOTTOM

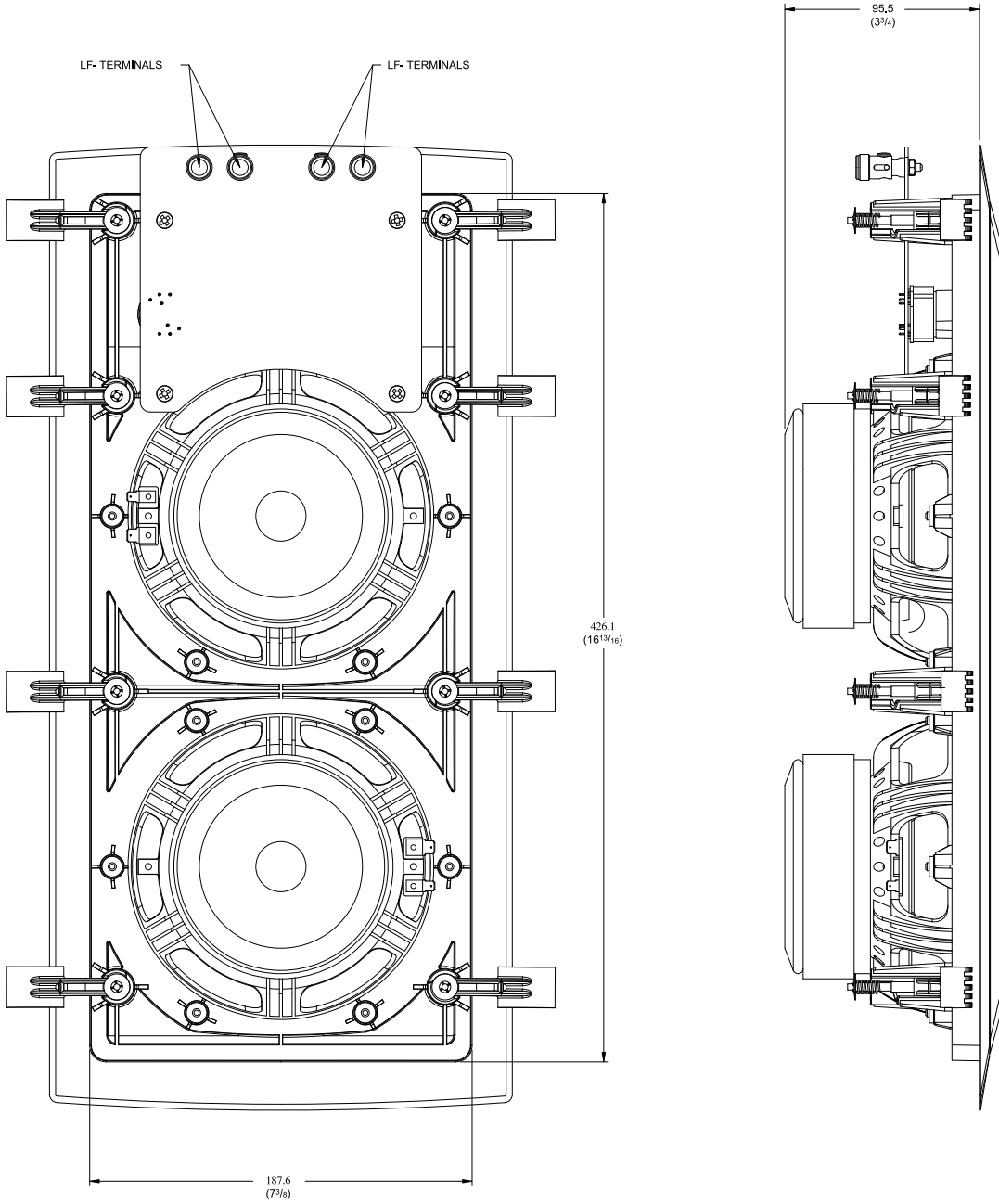
iw62 TDC DUAL CONCENTRIC™ MODEL



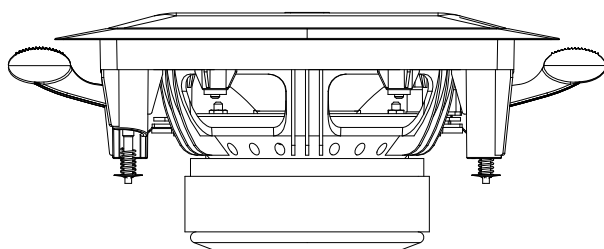
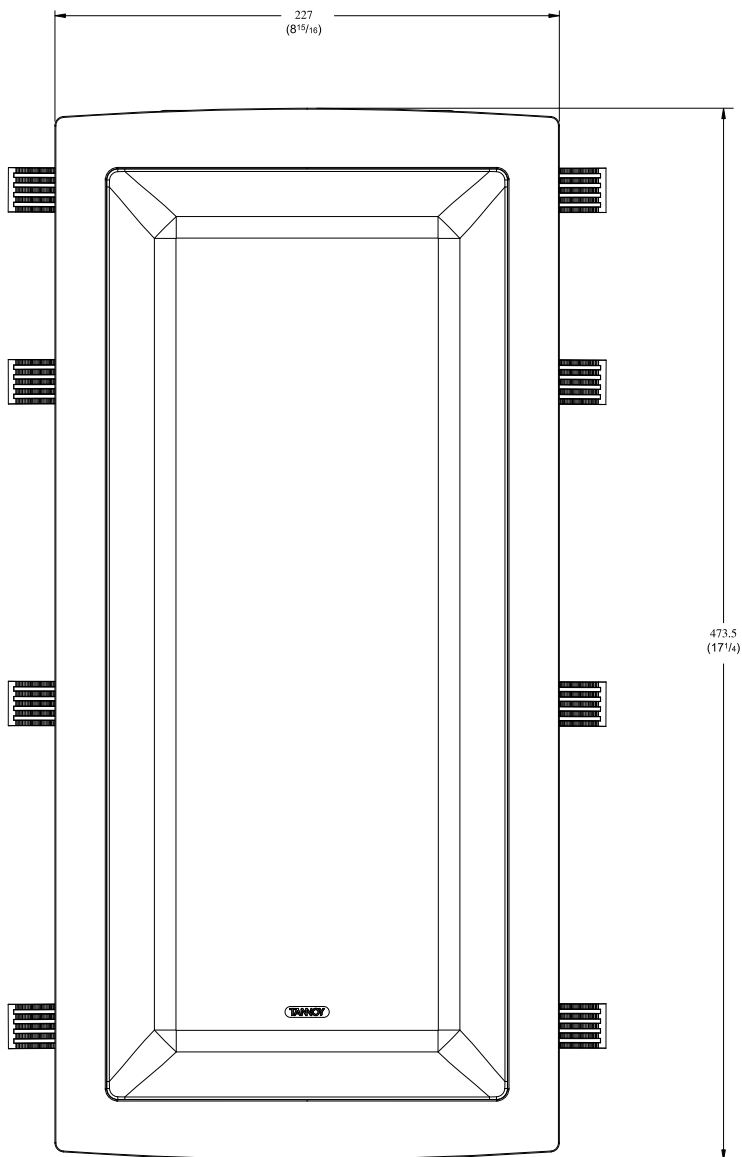
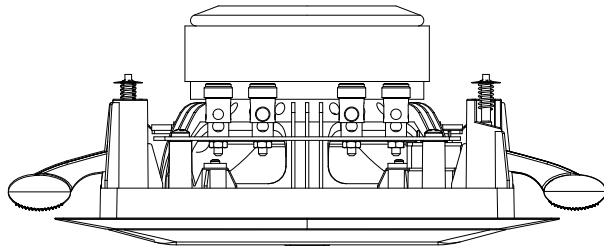
iw62 TDC DUAL CONCENTRIC™ MODEL



iw62 TS SUBWOOFER



iw62 TS SUBWOOFER MODEL



TECHNICAL SPECIFICATIONS

iw6 DS | IN WALL DISCRETE

iw6 TDC | IN WALL DUAL CONCENTRIC™

PERFORMANCE

Recommended amplifier power Watts RMS	20-100	20-180
Continuous power handling Watts RMS	75	110
Peak power handling - Watts (1)	300	360
Sensitivity (2.83 Volts @ 1m) (2)	90dB	91dB
Nominal Impedance - Ohms	8Ω	8Ω
Low frequency alignment (-6dB)	44Hz	36Hz
Frequency response -6dB (3)	44Hz-51kHz	36Hz - 51kHz

DRIVE UNITS

SuperTweeter™ high frequency		25mm (1") 25-micron titanium dome, neodymium magnet system
Dual Concentric™ high frequency		25mm (1") 25-micron titanium dome, neodymium magnet system
Dual Concentric™ low frequency		165mm (6 1/2") Multifibre paper pulp cone
WideBand™ high frequency	25mm (1") 25-micron titanium dome, neodymium magnet system	
Low frequency	165mm (6 1/2") Multifibre paper pulp cone	

CROSSOVER

Crossover frequency	2.7kHz	1.8kHz, 16kHz
Crossover Type	2nd order LF, 3rd order HF	1st order LF, 1st order HF, 3rd order SuperTweeter™
HF Adjustments	±1.5dB	±1.5dB

CABINET

Materials	Baffle Panel: Moulded ABS Clamps: Moulded Polycarbonate	Baffle Panel: Moulded ABS Clamps: Moulded Polycarbonate
Dimensions - inc grille mm (inches) (H x W x D)	320 x 209 x 98 (12 5/8 x 8 1/4 x 3 7/8)	320 x 209 x 104 (12 5/8 x 8 1/4 x 4 1/8)
Mounting Depth - mm (inches)	93 (3 11/16)	99 (3 7/8)
Volume - litres (cubic feet)	15 (0.53)	20 (0.71)
Weight (each) - kgs (lbs)	2.8 (6.1)	3 (6.6)
Pre-installation Ring	option	option
Finish options	White Paintable	White Paintable

TECHNICAL SPECIFICATIONS

iw62 TDC | IN WALL DUAL CONCENTRIC

iw62 TS SUBWOOFER IN WALL SPEAKER

PERFORMANCE

Recommended amplifier power Watts RMS	20-210	100 - 400 (total)
Continuous power handling Watts RMS	125	200
Peak power handling - Watts (1)	420	800
Sensitivity (2.83 Volts @ 1m) (2)	92dB	92dB
Nominal Impedance - Ohms	8Ω	8 (stereo), 4 (mono)
Low frequency alignment (-6dB)	34Hz	29Hz (passive) Determined by controller in active mode
Frequency response -6dB (3)	34Hz-51kHz	29Hz-110Hz (passive) Determined by controller in active mode

DRIVE UNITS

SuperTweeter™ high frequency	25mm (1") 25-micron titanium dome, neodymium magnet system	
Dual Concentric™ high frequency	25mm (1") 25-micron titanium dome, neodymium magnet system	
Dual Concentric™ low frequency	165mm (6½") Multi fibre paper pulp cone	
Low frequency	165mm (6½") Multi fibre paper pulp cone	165mm (6½") Multi fibre paper pulp cone

CROSSOVER

Crossover frequency	750Hz, 1.8kHz, 16kHz	110Hz
Crossover Type	2 nd order LF, 1 st order band pass mid, 1 st order HF, 3 rd order SuperTweeter™	
HF Adjustments	± 1.5dB	

CONSTRUCTION

Materials	Baffle Panel: Moulded ABS Clamps: Moulded Polycarbonate	Baffle Panel: Moulded ABS Clamps: Moulded Polycarbonate
Dimensions - inc grille mm (inches) (H x W x D)	473.5 x 227 x 104 (18 ⁵ / ₈ x 8 ¹⁵ / ₁₆ x 4 ¹ / ₄)	474.5 x 227 x 108 (18 ⁵ / ₈ x 8 ¹⁵ / ₁₆ x 4 ¹ / ₄)
Mounting Depth - mm (inches)	99 (3 ⁷ / ₈)	96 (3 ³ / ₄)
Volume - litres (cubic feet)	30 (1.1)	
Weight (each) - kgs (lbs)	5 (11)	6.5 (14.3)
Pre-installation Ring	option	option
Finish options	White Paintable	White Paintable

(1) Long-term power handling capacity as defined in EIA standard RS426A

(2) Averaged over specified bandwidth for half-space environment. For anechoic conditions the figure is to be decreased by 3dB.

(3) +/- 6dB, measured at 1 metre in anechoic chamber in a critically tuned enclosure.

TANNOY® | IN | WALL |  DUAL™
CONCENTRIC |  WIDEBAND™
TECHNOLOGY

Tannoy operates a policy of continuous research and development. The introduction of new materials or manufacturing methods will always equal or exceed the published specifications. All specifications are subject to change without notice.
Copyright (c) 2015 Music Group Innovation SC Ltd. All rights reserved.

tannoy.com