

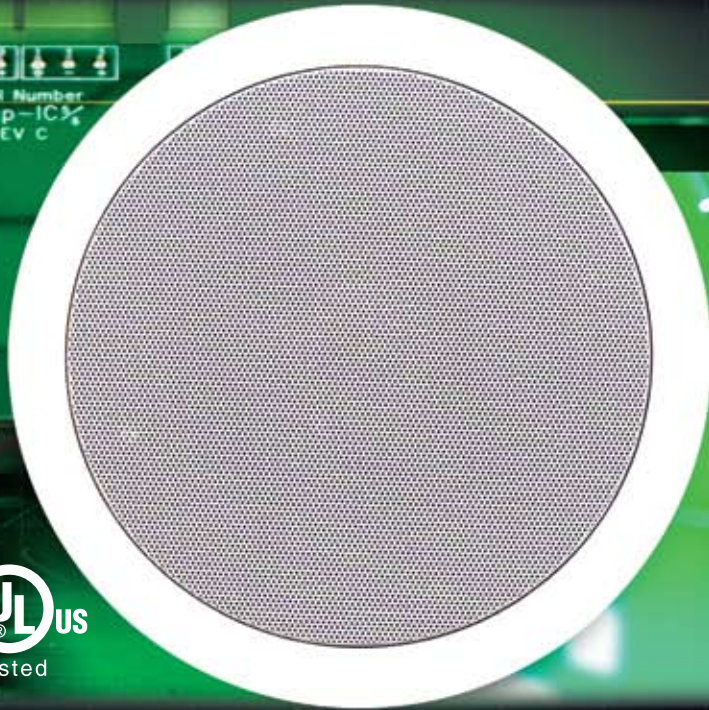
AMPIC5 / AMPIC6 SINGLE INPUT/SOURCE SELF-AMPLIFIED CEILING SPEAKERS



INPUT >



LINE LEVEL
VOLUME CONTROL



Model Number
Amp-IC5
REV C



AMPIC5 | AMPIC6

- Built onto the OWI IC5 and IC6 In-Ceiling Speakers
- Can effectively drive up to three additional non-amplified IC5 / IC6 In-Ceiling Speakers
- Up to 25 watts of class AB power right at the speaker
 - Lower noise feature
 - Fast and easy install in the field
- 12 volt AC power supply (UL rated) included
 - Protected from shorts and overheating
 - Line level volume control available
- Speaker combination program available
 - UL listed

NON-AMPLIFIED SPEAKERS





OWI Model AMPIC5 | AMPIC6

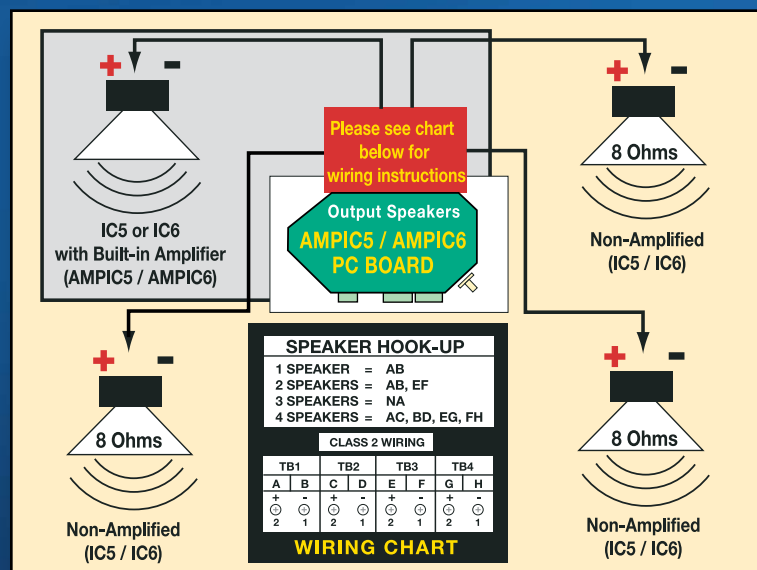
Equipped with many of the new and most popular installer features, the AMPIC5/6 power module is made to expressly fit into the OWI Models IC5 or IC6 coaxial speaker providing a high fidelity module delivering up to 25 watts of Class AB power right at the speaker.

By being within inches of the speaker, the amplifier facilitates maximum damping control of the speaker due to low source impedance resulting in maximum high fidelity reproduction.

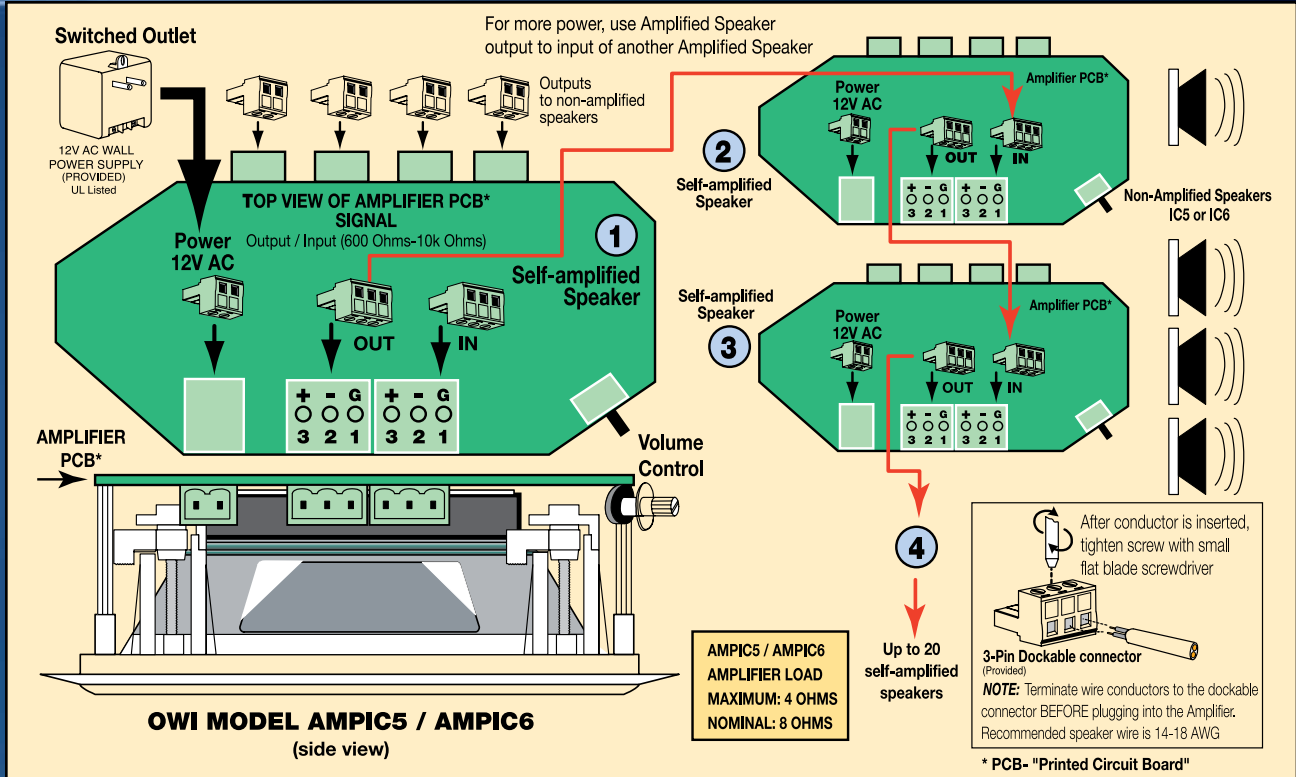
Tailor-designed and dedicated specifically to match the speaker, the amplifier effectively delivers optimum response. The power module has critical design features that facilitate fast and easy installation in the field.

SELF-AMPLIFIED CEILING SPEAKERS

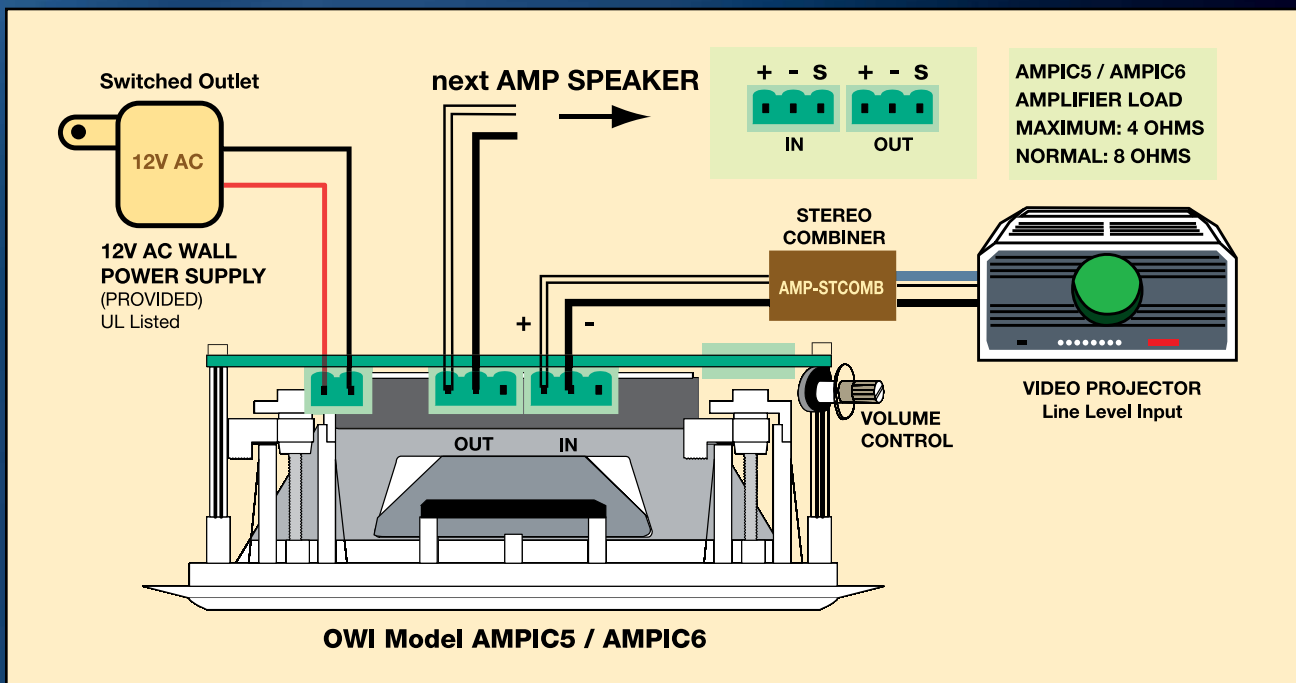
Self-Amplified Speaker Connected to Three Non-Amplified Speakers



Self-Amplified Speaker to Another Self-Amplified Speaker Wiring Diagram



Single Input/Source Self-Amplified Speaker & Projector Wiring Diagram



SINGLE INPUT/SOURCE SELF-AMPLIFIED CEILING SPEAKERS

ARCHITECTS AND ENGINEERS
SPECIFICATIONS/TECHNICAL DATA



GENERAL SPECIFICATIONS:

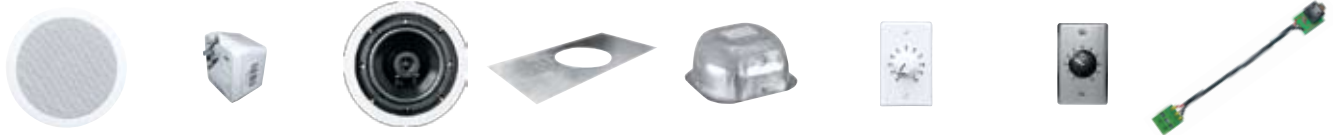
MODEL NUMBER: AMPIC5 | AMPIC6

Frequency Response	50 Hz to 15kHz. HF is optimized to enhance frequency response of the speaker.
Total Harmonic Distortion	<.1%
Signal to Noise Ratio (S/N)	>90dB
Input Configuration	Differential (noise reducing)
Min. Common Mode Rejection	40dB
Max. Power Output	25 watts
At Load Impedance	4 Ohms (2 speakers in parallel or 4 speakers in series parallel)
Min. Power Supply Voltage	8 Volts
Max. Supply Voltage	14 Volts
Max. Current Protected	Yes
Short Circuit Protected	Yes
One Wire to Ground Protected	Yes
Min. Load Impedance	3.2 Ohm
Input Load Impedance	10K Ohm
Plastic	Fire Rated V-0
Max. No. of Amplifiers on 1 Line	20
Available Backcan (sold separately)	UL Listed and Plenum Rated
Warranty	1 Year

MODEL NUMBER: IC5 IC6

Description	5.25" 2-Way, Co-Axial	6.5" 2-Way, Co-Axial
Covered Outdoor	Yes	Yes
Impedance	8 Ohms	8 Ohms
Sensitivity (1W / 1M)	85.2 dB	86.5 dB
Max Power	40 Watts	50 Watts
Nominal Power	20 Watts	25 Watts
Frequency Response	70 Hz – 20 kHz	45 Hz – 20 kHz
Crossover	4 kHz	4 kHz
Woofer Size	5.25"	6.5"
Woofer Material	Paper Coated	Paper Coated
	Polyurethane Surround	Polyurethane Surround
Tweeter Size	0.5"	0.5"
Tweeter Material	Hard Dome	Hard Dome
	(Ferrofluid Cooled)	(Ferrofluid Cooled)
Grill Material	Aluminum	Aluminum
Dimensions	8"D x 2 1/2"H	9"D x 2 1/2"H
Weight	2.60 lbs.	2.90 lbs.
Mounting Hardware	Kwik Klamps	Kwik Klamps
Cut Out Size	6 5/8"	7 5/8"
Paintable	Yes	Yes

SELF-AMPLIFIED IN-CEILING SPEAKER COMBINATION PROGRAM (Single Input/Source)



5" MODEL	AMPIC5 (Single Input/Source)	Power Supply (UL Listed)	IC5 (8 Ohms)	Tile Bridge 5TB	Backcan (UL Listed) (Plenum Rated)	Volume Control Available in White (W) or Brushed Steel (BS) Stereo - AMP-STVC Mono - AMP-MOVC	Stereo Combiner AMP-STCOMB
A SINGLE SPEAKER COMBINATION							
AMP1S51	1 ea.	1 ea.	-	1 ea.	1 ea.	-	-
AMP1S51MVC	1 ea.	1 ea.	-	1 ea.	1 ea.	-	1 ea. Optional (sold separately)
AMP1S51SVC	1 ea.	1 ea.	-	1 ea.	1 ea.	1 ea.	-
B TWO SPEAKER COMBINATION							
AMP1S52	1 ea.	1 ea.	1 ea.	2 ea.	2 ea.	-	-
AMP1S52MVC	1 ea.	1 ea.	1 ea.	2 ea.	2 ea.	-	1 ea. Optional (sold separately)
AMP1S52SVC	1 ea.	1 ea.	1 ea.	2 ea.	2 ea.	1 ea.	-
C FOUR SPEAKER COMBINATION							
AMP1S54	1 ea.	1 ea.	3 ea.	4 ea.	4 ea.	-	-
AMP1S54MVC	1 ea.	1 ea.	3 ea.	4 ea.	4 ea.	-	1 ea. Optional (sold separately)
AMP1S54SVC	1 ea.	1 ea.	3 ea.	4 ea.	4 ea.	1 ea.	-

6" MODEL	AMPIC6 (Single Input/Source)	Power Supply (UL Listed)	IC6 (8 Ohms)	Tile Bridge 6TB	Backcan (UL Listed) (Plenum Rated)	Volume Control Available in White (W) or Brushed Steel (BS) Stereo - AMP-STVC Mono - AMP-MOVC	Stereo Combiner AMP-STCOMB
D SINGLE SPEAKER COMBINATION							
AMP1S61	1 ea.	1 ea.	-	1 ea.	1 ea.	-	-
AMP1S61MVC	1 ea.	1 ea.	-	1 ea.	1 ea.	-	1 ea. Optional (sold separately)
AMP1S61SVC	1 ea.	1 ea.	-	1 ea.	1 ea.	1 ea.	-
E TWO SPEAKER COMBINATION							
AMP1S62	1 ea.	1 ea.	1 ea.	2 ea.	2 ea.	-	-
AMP1S62MVC	1 ea.	1 ea.	1 ea.	2 ea.	2 ea.	-	1 ea. Optional (sold separately)
AMP1S62SVC	1 ea.	1 ea.	1 ea.	2 ea.	2 ea.	1 ea.	-
F FOUR SPEAKER COMBINATION							
AMP1S64	1 ea.	1 ea.	3 ea.	4 ea.	4 ea.	-	-
AMP1S64MVC	1 ea.	1 ea.	3 ea.	4 ea.	4 ea.	-	1 ea. Optional (sold separately)
AMP1S64SVC	1 ea.	1 ea.	3 ea.	4 ea.	4 ea.	1 ea.	-



OWI Incorporated

17141 Kingsview Avenue
Carson, CA 90746 USA

ph.. 310.515.1900 800.638.1694

fx. 310.515.1606 e. info@owi-inc.com

www.owi-inc.com

ESTABLISHED 1978