

PortaCom 2000 Intercom

MADE IN USA



TWO YEAR WARRANTY

Technical Specifications

A flexible, high-performance wired intercom system, the PortaCom is built smart and simple. It gives you two channels without sacrificing power or quality, is expandable and portable or rack mountable. PortaCom is priced for the junior high school theater, local cable studio or high school football coach.

System Components

PC-2000 - Two-Channel Power Console
Power console with four outputs; rack-mountable. Includes wallmount AC adapter.



BP-2000 - Belt Pack
Lightweight aluminum belt pack with volume control, A/B channel switch, microphone and call button with LED indicator.



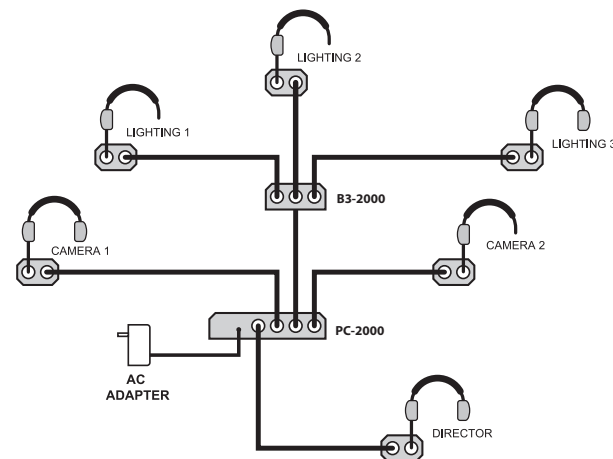
B3-2000 - Branch Box
Three-Station branch box for expanding PortaCom systems.



H-2000 Headset

PortaCom Models

- COM-40FC Four User Package:**
Four headsets, four belt packs, one power console & one sturdy cardboard carrying case (no cables included)
- COM-60FC Six User Package:**
Six headsets, six belt packs, one power console, one branch box & one sturdy cardboard carrying case (no cables included)
- COM-40FC/C Four User Package:**
COM-40FC & four - 50' cables
- COM-60FC/C Six User Package:**
COM-60FC & seven - 50' cables



General Application Diagram

Technical Specifications

System

Operating Distance	Up to 2,500 ft (total cable length)
Normal Line Level	-15 dBV
Signal-to-Noise Ratio	-65 dB
Distortion	< 0.5%
Connecting Cables	Standard 1-pair shielded mic cable with 3-pin XLR (heavy-duty cable recommended for runs over 250 ft)
Compatibility	Generally compatible with industry standard system (call for info)

B3-2000 - Branch Box

Connectors (3-pin XLR)	Input - 1 female / Output - 3 male
Dimensions	1.9" x 4.1" x 4.25" (48 x 105 x 108 mm)
Weight	19.2 oz / 0.5 kg

BP-2000 - Belt Pack

Input Line Connector	3-pin XLR - female
Headset Connector	4-pin XLR - male
Bridging Impedance	10k Ω min
DC Current Reqs.	20mA max
Dimensions	3.8" x 2.75" x 1.25" (96.5 x 69.85 x 31.75 mm)
Weight	.40 oz / .0113 kg

H-2000/H-2000S -

Dual-Earpiece/Single-Earpiece Headset

Connector	4-pin XLR - female
Microphone Type	Dynamic, low impedance
Dimensions	3.5" x 7.4" x 7.9" (8.9 x 18.8 x 20 cm)
Weight	H-2000 16 oz / .45 kg H-2000S 13 oz / .37 kg

PC-2000 - Two-Channel Power Console

Output Connectors	3-pin XLR - 4 male
Voltage Output	22 VDC to belt packs
Max. Current Capacity	400mA
Max. Belt Packs	20 BP-2000 belt packs
Input Power Reqs.	24VAC, 50/60Hz, 750mA; 30 - 40VDC, 500mA
Dimensions	1.75" x 8.5" x 4.5" (45 x 216 x 114 mm)
Weight	57.6 oz / 1.63 kg
AC Power Adapter	Anchor model AC-20
Input Voltage	120VAC, 60Hz
Output Voltage/Current	24VAC @ 750mA

(Features & Specifications Subject to Change Without Notice)



Anchor Audio, Inc.
Portable Sound Systems • Carlsbad, California

800.262.4671

www.anchoraudio.com

S-PC/0810