



SRG-300H/SRG-120DH
Color P/T/Z Video Cameras

Sony is expanding its renowned Pan-Tilt-Zoom camera family with the introduction of its new SRG Series. The SRG-300H and SRG-120DH are the first two PTZ camera models in the SRG line-up. These cameras achieve superb picture quality utilizing Sony's latest imaging technology and 1080/60p resolution, and deliver reliability with field-proven operability.

The SRG-300H is a desktop or ceiling-mountable remote camera with an amazingly high 30x optical zoom capability. The SRG-120DH is a desktop remote camera with a 12x optical zoom and an exceptional 71-degree horizontal viewing angle. These cameras are ideal for a range of applications including house of worship, lecture capture, telemedicine, remote shooting, and video conferencing applications.

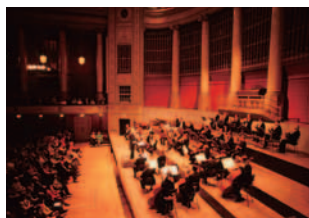
SRG-300H

Remote Desktop or Ceiling-mountable Camera: 30x Optical Zoom

1/2.8-type Exmor CMOS	30x Optical	16 Presets*1	IP Control
Ceiling-mountable	1080/60p	View-DR	1.4 lx Min. Illumination

Applications:

With a 30x optical zoom capability (360x with digital zoom), the SRG-300H is ideal for medium to large venues such as houses of worship, stadiums, and large classrooms.



SRG-120DH

Remote Desktop Camera: 71° Field of View, 12x Optical Zoom

1/2.8-type Exmor CMOS	12x Optical	16 Presets*1	IP Control
71° Field of View	1080/60p	View-DR	1.8 lx Min. Illumination

Applications:

The SRG-120DH features an extremely wide field of view (71°) and superb image quality, making it the perfect choice for video conferencing systems, conference rooms, boardrooms, courtrooms, and classrooms.



*1 Presets x 16 when controlled via VISCA. Presets x 6 when using the supplied IR remote commander.

Key Features

Excellent Picture Quality

These SRG cameras incorporate Sony's high-sensitivity 1/2.8-type Exmor[®] CMOS sensor and the latest View-DR[®] technology. They deliver excellent picture quality for professional remote shooting.

View-DR & XDNR[®] Technology

View-DR provides an extremely wide dynamic range with Sony's full-capture Wide-D technology, utilizing the Exmor CMOS sensor's high-speed readout capability and Visibility Enhancer (VE) which provides a high level of chrominance and luminance. This achieves up to 130 dB at 29.97 frames per second (fps). XDNR technology reduces noise and provides clear images in both moving and still objects in low light environments.



View-DR OFF



View-DR ON

* Simulated images

1080/60p

The 1/2.8-type Exmor CMOS sensor achieves superb Full HD (1920 x 1080) picture quality. Furthermore, 60-fps progressive scan technology results in smooth images with reduced blur – ideal for capturing moving objects.



Interlace



Progressive

Timeline

* Simulated images

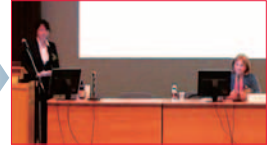
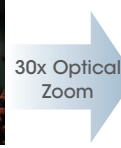
30x High Power Zoom

The SRG-300H provides up to 30x optical zoom, and 12x digital zoom*². Therefore, this camera can capture a wide viewing range, and is ideal for large meeting rooms and auditoriums.

*² The SRG-120DH supports 12x optical zoom and 12x digital zoom.



Wide-end



Tele-end

* Simulated images

VISCA-over-IP

These SRG cameras can be controlled via the VISCA[™] protocol over IP connections, as well as via RS-232 and RS-422 (SRG-300H only).

Other Features

Wide Field of View

Both cameras provide a wide horizontal field of view. The SRG-300H covers 65° and the SRG-120DH covers 71°.

High Sensitivity

Minimum illumination is 1.4 lx with the SRG-300H and 1.8 lx for the SRG-120DH. This superb sensitivity enables image capture in low light environments.

Compact and Stylish Body

Their all-in-one compact and lightweight design makes these cameras easy to install in a variety of locations. In addition, the SRG-300H is available in a white housing, making it unobtrusive when ceiling mounted.

Quick and Silent Pan, Tilt, and Zoom

These cameras feature fast and silent pan, tilt, and zoom capabilities. This is ideal for use in noise-restricted environments such as houses of worship, classrooms, and meeting rooms.

System Configuration

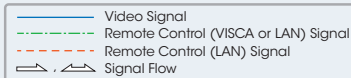
With Infrared Remote Commander

SRG-300H/SRG-120DH



With the RM-IP10 IP Remote Controller

SRG-300H/SRG-120DH

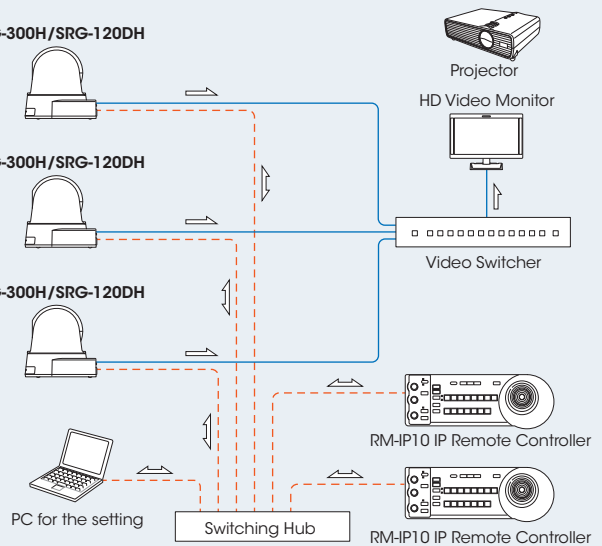


With Multiple Remote Controllers and Cameras

SRG-300H/SRG-120DH

SRG-300H/SRG-120DH

SRG-300H/SRG-120DH



Specifications

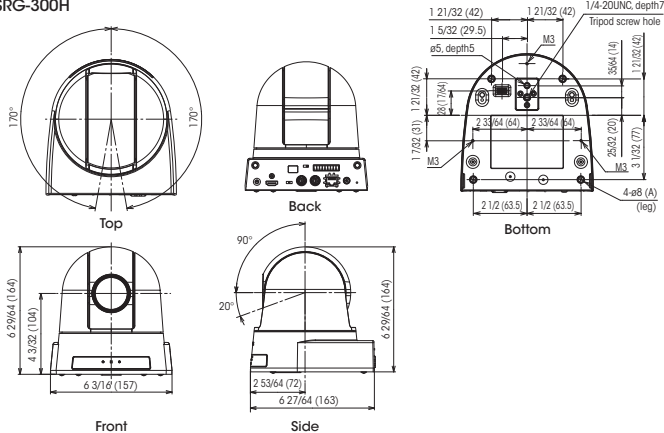
	SRG-300H	SRG-120DH
Camera		
Image Sensor	1/2.8 Exmor CMOS	1/2.8 Exmor CMOS
Image Sensor (Number of Effective Pixels)	Approx. 2.1 Megapixels	Approx. 2.1 Megapixels
Signal System	1080/59.94p,50p,29.97p,25p 1080/59.94i,50i 720/59.94p,50p,29.97p,25p	1080/59.94p,50p,29.97p,25p 1080/59.94i,50i 720/59.94p,50p,29.97p,25p
Minimum Illumination (50IRE)	1.4 lx (50IRE, F1.6, 30 fps)	1.8 lx (50IRE, F1.8, 30 fps)
S/N Ratio	50 dB	50 dB
Gain	Auto/Manual (0 to +43 dB)	Auto/Manual (0 to +43 dB)
Shutter Speed	1/1 to 1/10000 sec (59.94 Hz system) 1/1 to 1/10000 sec (50 Hz system)	1/1 to 1/10000 sec (59.94 Hz system) 1/1 to 1/10000 sec (50 Hz system)
Exposure Control	Auto, Manual, Priority AE (Shutter,Iris), Exposure compensation, Bright	Auto, Manual, Priority AE (Shutter,Iris), Exposure compensation, Bright
White Balance	Auto, Indoor, Outdoor, One-push auto, ATW, Manual	Auto, Indoor, Outdoor, One-push auto, ATW, Manual
Optical Zoom	30x	12x
Digital Zoom	12x	12x
Focusing System	Auto/Manual	Auto/Manual
Horizontal Viewing Angle	65 degree (Wide)	71 degree (Wide)
Focal Length	f=4.3 mm (Wide) to 129 mm (Tele) F1.6 to 4.7	f=3.9 mm (Wide) to 46.8 mm (Tele) F1.8 to 2.0
Minimum Object Distance	10 mm (Wide) ~ 1200 mm (Tele)	10 mm (Wide) ~ 1500 mm (Tele)
Pan/Tilt Angle	Pan: ±170° Tilt: +90°/-20°	Pan: ±100° Tilt: ±25°
Pan/Tilt Speed (Max.)	Pan: 100°/sec Tilt: 90°/sec	Pan: 300°/sec Tilt: 126°/sec
Preset Position	16*	16*

* Presets x 16 when controlled via VISCA. Presets x 6 when using the supplied IR remote commander.

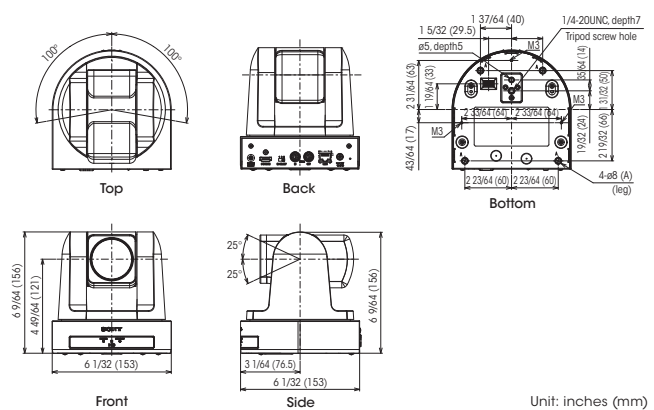
	SRG-300H	SRG-120DH
Camera Features		
Auto ICR	Yes	No
Wide-D	Yes	Yes
Image Stabilizer	Yes	No
Image Flip	Yes	No
Auto Power Off	No	No
Night Power Off	No	No
Interface		
HD Video Output	HDMI	HDMI
SD Video Output	-	-
Camera Control Interface	RS-232/RS-422/RJ-45	RS-232/RJ-45
Sync. System	INT	INT
General		
Power Requirements	DC 12 V (DC 10.8 ~ 13.2 V)	DC 12 V (DC 10.8 ~ 13.2 V)
Power Consumption	16.8 W	16.8 W
Operating Temperature	32°F to 104°F (0°C to 40°C)	32°F to 104°F (0°C to 40°C)
Storage Temperature	-4°F to +140°F (-20°C to +60°C)	-4°F to +140°F (-20°C to +60°C)
Dimensions (W x H x D)	6 1/4 x 6 1/2 x 6 1/2 inches (157 x 164 x 163 mm)	6 1/8 x 6 1/4 x 6 1/8 inches (153 x 156 x 153 mm)
Weight	3 lb 1.4 oz (1.4 kg)	3 lb 3.1 oz (1.45 kg)
Body Color	White/Black	Silver
Wide Conversion Lens	No	No
Attachable	No	No
Mountable Angle	<±15°	<±15°
Ceiling Mount	Yes	No
Supplied Accessories	AC power adaptor (1) AC power cable (1) IR remote commander unit (1) CD-ROM (Operating instructions) (1) RS-422 connector plug (1) Ceiling bracket (2) Wire rope (1) Screw M3x8 (8)	AC power adaptor (1) AC power cable (1) IR remote commander unit (1) CD-ROM (Operating instructions) (1)

Dimensions

SRG-300H



SRG-120DH



Unit: inches (mm)

Peripheral Equipment



RM-IP10

IP Remote Controller (sold separately)

- Comfortable P/T/Z operation with the optical three-axis joystick
- Versatile camera adjustment by simple panel operation
- The use of IP technology allows flexible installation and easy operation