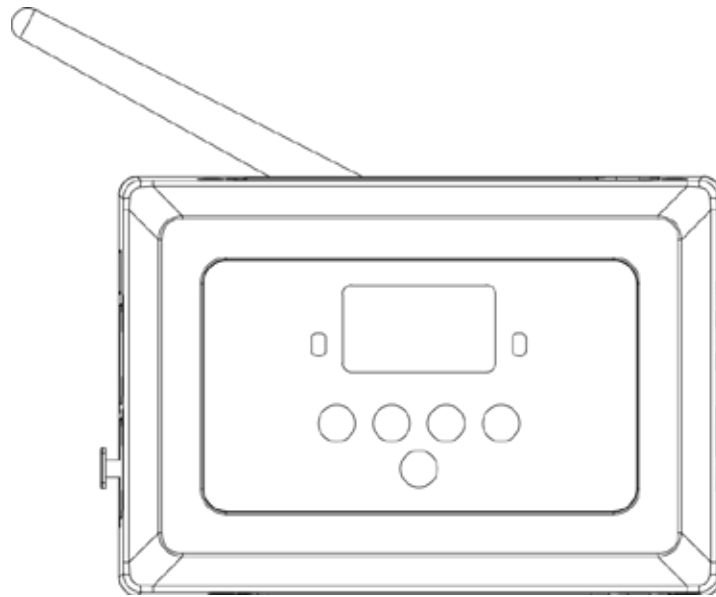




User Manual



CHAUVET®

The Chauvet logo consists of the word "CHAUVET" in a bold, sans-serif font, followed by a registered trademark symbol (®). Above the letter "V" is a stylized, downward-pointing triangle filled with a halftone dot pattern. The logo is positioned in the bottom right corner of the page.

TABLE OF CONTENTS

1. Before you Begin	3
What Is Included.....	3
Unpacking Instructions	3
Claims.....	3
Text Conventions.....	3
Symbols	3
Disclaimer	3
Product at a Glance.....	4
Safety Notes	4
2. Introduction	5
Product Overview	5
Product Dimensions	6
3. Setup.....	7
AC Power.....	7
Mounting.....	7
Orientation	7
Rigging.....	7
4. Operation.....	8
Control Panel Operation	8
Menu Map.....	8
Configuration	8
Programming and Signal Selection	9
5. Technical Information.....	10
Technical Specifications	10
Returns	11
Contact Us.....	12

1. BEFORE YOU BEGIN

What Is Included

- D-Fi™ Hub
- Power Supply
- Warranty Card
- Quick Reference Guide

Unpacking Instructions

Carefully unpack the product immediately and check the container to make sure all the parts are in the package and are in good condition.

Claims




If the box or the contents (the product and included accessories) appear damaged from shipping, or show signs of mishandling, notify the carrier immediately, not Chauvet. Failure to report damage to the carrier immediately may invalidate your claim. In addition, keep the box and contents for inspection.

For other issues, such as missing components or parts, damage not related to shipping, or concealed damage, file a claim with Chauvet within 7 days of delivery.

Text Conventions

Convention	Meaning
1–512	A range of values
50/60	A set of values of which only one can be chosen
<i>Settings</i>	A menu option not to be modified
<i>Menu > Settings</i>	A sequence of menu options to be followed
<ENTER>	A key to be pressed on the product's control panel
ON	A value to be entered or selected

Symbols

Symbol	Meaning
	Critical installation, configuration, or operation information. Not following these instructions may make the product not work, cause damage to the product, or cause harm to the operator.
	Important installation or configuration information. The product may not function correctly if this information is not used.
	Useful information.

Disclaimer

The information and specifications contained in this document are subject to change without notice. Chauvet assumes no responsibility or liability for any errors or omissions that may appear in this manual. Chauvet reserves the right to update the existing document or to create a new document to correct any errors or omissions.

You can download the latest version of this document from www.chauvetlighting.com.

© Copyright 2015 Chauvet. All rights reserved

Electronically published by Chauvet in the United States of America

Author	Date	Editor	Date
M. Trouard	12/12/2014	A. Leon	01/16/15

Product at a Glance

Use on Dimmer	X	Auto Programs	X
Outdoor Use	X	9 VDC, 500 mA (100 to 240 VAC, 50/60 Hz)	P
Sound-Activated	X	Replaceable Fuse	X
DMX	P	User-Serviceable	X
Master/Slave	X	Duty Cycle	X

Safety Notes

Please read the following Safety Notes carefully before working with this product. They include important safety information about its installation, usage, and maintenance.



- Always connect this product to a grounded circuit to avoid the risk of electrocution.
- Make sure the power cord is not crimped or damaged.
- Never disconnect this product from power cord by pulling or tugging on the cord.
- If mounting this product overhead, always secure it to a fastening device using a safety cable.
- Make sure there are no flammable materials close to the unit while operating.



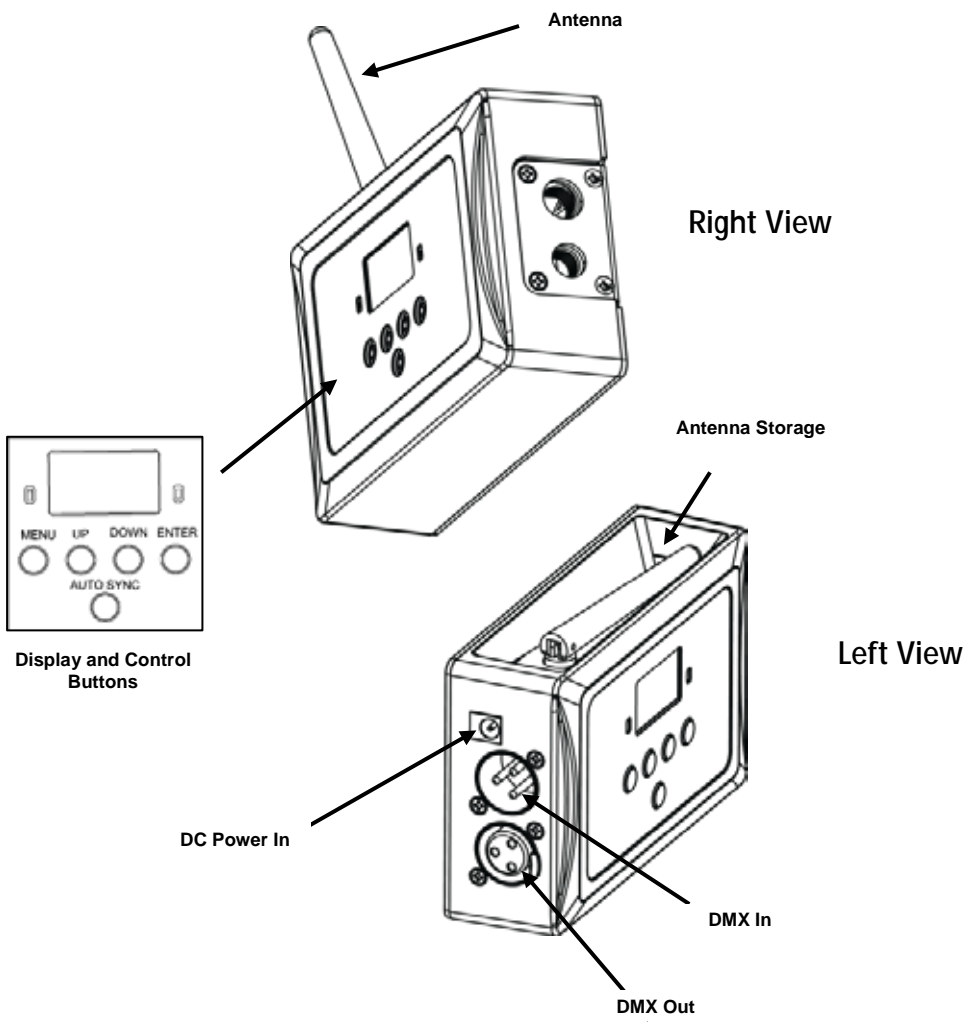
- Always make sure that the voltage of the outlet to which you are connecting this product is within the range stated on the decal or rear panel of the product.
- This product is for indoor use only! (IP20) To prevent risk of fire or shock, do not expose this product to rain or moisture.
- Never connect this product to a dimmer.
- Never carry this product from the power cord or any moving part.
- The maximum ambient temperature is 104 °F (40 °C). Do not operate this product at higher temperatures.
- In the event of a serious operating problem, stop using the unit immediately.
- Never try to repair this product. Repairs carried out by unskilled people can lead to damage or malfunction. Please contact the nearest authorized technical assistance center.
- To eliminate unnecessary wear and improve its lifespan, during periods of non-use completely disconnect the product from power via the breaker or by unplugging it.



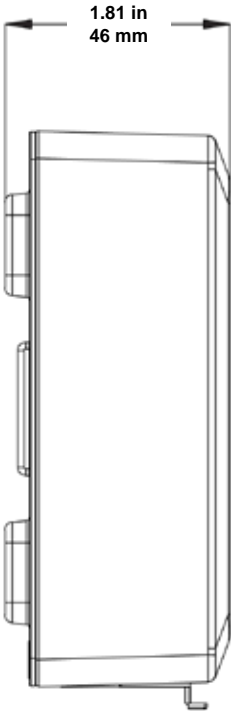
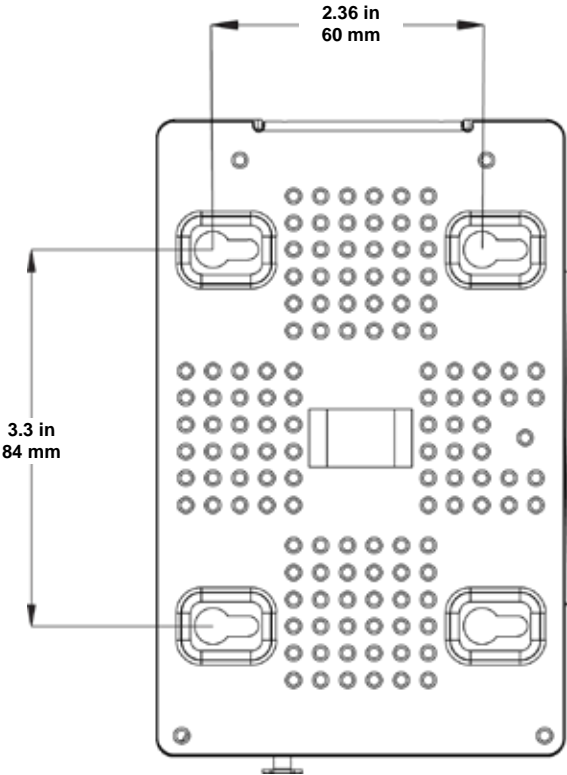
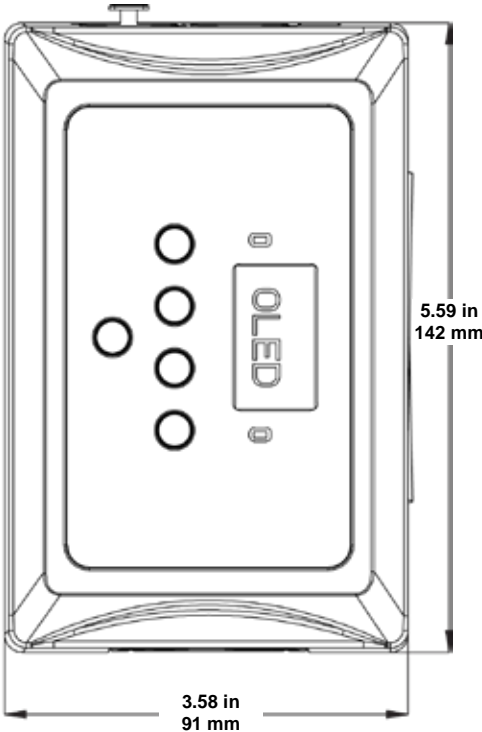
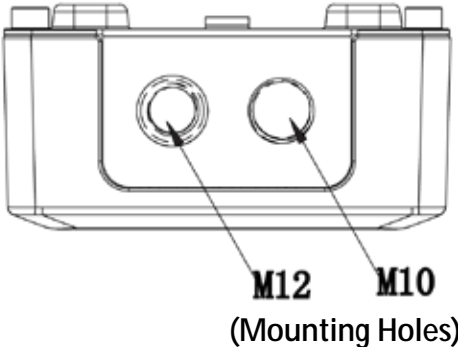
- Keep this User Manual for future consultation. If you sell this product to another user, be sure that they also receive this document.

2. INTRODUCTION

Product Overview



Product Dimensions



3. SETUP

AC Power

This product has an auto-ranging external power supply and it can work with an input voltage of 100 to 240 VAC, 50/60 Hz. It runs on 9 VDC, 500 mA.

To determine the power requirements for this product (power outlet and wiring), use the current value listed on the label affixed to the product's back panel, or refer to the product's specifications chart. The listed current rating indicates the product's average current draw under normal conditions.



Always connect this product to a protected circuit (circuit breaker or fuse), making sure that it has an appropriate electrical ground to avoid the risk of electrocution or fire.



Never connect this product to a rheostat (variable resistor) or dimmer circuit, even if the rheostat or dimmer channel serves only as a 0 to 100% switch.

Mounting

Before mounting this product, read and follow the [Safety Notes](#).

Orientation

The D-Fi™ Hub may be mounted in any position; however, make sure adequate ventilation is provided around the product.

Rigging

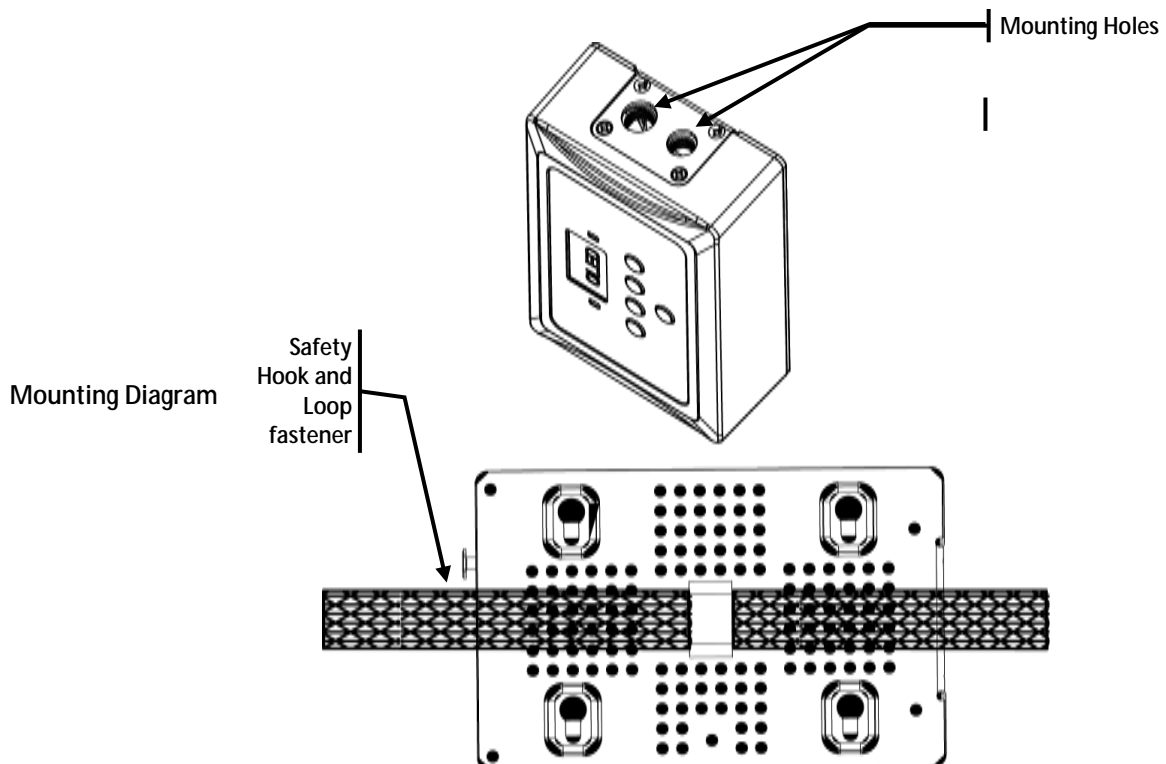
Before deciding on a location for this product, always make sure that it will be easy to access the unit for maintenance and programming purposes.

Make sure that the structure onto which you are mounting this product can support its weight. See the [Technical Specifications](#) for weight information.

When mounting this product overhead, always use a safety cable. Mount the product securely to a rigging point, whether an elevated platform or a truss.

When rigging this product onto a truss, you should use a mounting clamp of appropriate weight capacity.

The product also has 4 teardrop holes located on the back for easy wall mounting.



4. OPERATION

Control Panel Operation

To access the control panel functions, use the four buttons located around the display. Please refer to the Product Overview to see the buttons location on the control panel.

Button	Function
<MENU>	Press to find an operation mode or to back out of the current menu option
<UP>	Press to scroll up the list of options or to find a higher value
<DOWN>	Press to scroll down the list of options or to find a lower value
<ENTER>	Press to activate a menu option or a selected value
<AUTO>	Detects the D-Fi™ signal for synchronization of products

Menu Map

Main Function	Programming Steps		Description
Settings	Receive Mode	CH01-016	Allows selection of a specific D-Fi™ channel for receiving signal
	Transmit Mode	CH01-016	Allows selection of a specific D-Fi™ channel for transmitting signal
	Receive Auto		Triggers the D-Fi™ Hub to auto-select a channel for receiving signal
	Transmit Auto		Triggers the D-Fi™ Hub to auto-select a channel for transmitting signal

Configuration

The D-Fi™ Hub can be used two ways:

- It can be connected to any DMX controller and transmit to D-Fi™-compatible lights.
- It can be connected to any DMX lights and receive from a D-Fi™-compatible controller.

To set this product in DMX mode:

1. Connect this product to a suitable power outlet.
2. Connect a DMX cable from the DMX output of the DMX controller to the DMX input socket of this product.



You can sync an unlimited amount of Receivers to one Transmitter.



To ensure strong signals, the units should be elevated 5 feet or higher off the ground and remain in an unobstructed line of sight of each other.



For the best results, add individual receivers using Manual mode to ensure you can select the same channel for the additional products.

Programming and Signal Selection

To connect the D-Fi™ Hub to a DMX controller and configure it to transmit to D-Fi™-compatible lights, do the following:

1. Connect the hub to the controller using a DMX cable.
2. Connect the hub to power.

If the display shows **Transmit Manual <CHXX>**, where **XX** is a value between **01** and **16**, the hub is already configured for manual transmission.

3. Press **<MENU>** and the display shows **Settings** with 2 words underneath.
4. Press **<ENTER>** and the 2 words become highlighted.
5. Use **<UP>** or **<DOWN>** to cycle through the highlighted options until the display shows **Transmit Manual**.

Note: Selecting Transmit Auto automatically detects a transmission signal when used in conjunction with <AUTO SYNC>.

6. Press **<ENTER>** and the display shows **Transmit Manual** with **<CHXX>** highlighted, where **XX** is a value between **01** and **16**.
7. Use **<UP>** or **<DOWN>** to cycle through the highlighted channel options and select the channel to use for D-Fi™ transmission.
8. Press **<ENTER>** and the display shows **Transmit Manual <CHXX>**, where **XX** is the channel selected in step 8.

The hub is now configured for manual signal transmission.

NOTE: All the lights must be set to the D-Fi™ channel shown on the hub's display.

To connect the D-Fi™ Hub to any DMX lights and configure it to receive D-Fi™ signals from a D-Fi™-compatible hub, do the following:

1. Connect the hub to the lights using a DMX cable.
2. Connect the hub to power.

If the display shows **Receive Manual <CHXX>**, where **XX** is a value between 01 and 16, the hub is already configured for manual reception.

3. Press **<MENU>** and the display shows **Settings** with 2 words underneath.
4. Press **<ENTER>** and the 2 words become highlighted.
5. Use **<UP>** or **<DOWN>** to cycle through the highlighted options until the display shows **Receive Manual**.

Note: Selecting Receive Auto automatically detects a receiving signal when used in conjunction with <AUTO SYNC>.

6. Press **<ENTER>** and the display shows **Receive Manual** with **<CHXX>** highlighted, where **XX** is a value between 01 and 16.
7. Use **<UP>** or **<DOWN>** to cycle through the highlighted channel options and select the channel to use for D-Fi™ reception.
8. Press **<ENTER>** and the display shows **Receive Manual <CHXX>**, where **XX** is the channel number selected in step 8.

The hub is now configured for manual signal reception.

NOTE: The controller must be set to the D-Fi™ channel shown on the hub's display.

Information about using D-Fi™ lights and controllers is in the product manuals at the Chauvet website <http://www.chauvetlighting.com/product-manuals-literature/>.

Information about DMX is in the CHAUVET® DMX Primer at http://www.chauvetlighting.com/downloads/DMX_Primer_rev05_WO.pdf.

5. TECHNICAL INFORMATION

Technical Specifications

Dimensions and Weight	Length	Width	Height	Weight
	5.59 in (142 mm)	3.58 in (91 mm)	1.81 in (46 mm)	1.2 lb (0.6 kg)
Note: Dimensions in inches rounded to the nearest decimal digit.				
Power	Power Supply Type	Range	Input Voltage	
	External	100 to 240 V, 50/60 Hz	9 VDC, 500 mA	
Wireless	RF Output	Refresh Rate	Frequency Range	
	18.5 dbm max range 656 ft (200 m)	40 Hz/s	2.412 to 2.484 GHz	
Thermal	Maximum External Temp.	Cooling System		
	104 °F (40 °C)	Convection		
DMX	I/O Connectors	Connector Type		
	3-XLR	Socket		
Ordering	Product Name	Item Code	UPC Number	
	D-Fi™ Hub	03080816	781462211646	



To return a product or request support:

- If you live in the U.S., contact Chauvet World Headquarters (see [Contact Us](#)).
- If you live in the UK or Ireland, contact Chauvet Europe Ltd.(see [Contact Us](#)).
- If you live in Mexico, contact Chauvet Mexico (see [Contact Us](#)).
- If you live in any other country, DO NOT contact Chauvet. Instead, contact your distributor of record. Refer to our Web site for contact details of distributors outside the US, United Kingdom, or Ireland.



If you live outside the U.S., United Kingdom, or Ireland, contact your distributor of record and follow their instructions on how to return Chauvet products to them. Visit our Web site for contact details.

Returns

Call the corresponding Chauvet Tech Support office and request a Return Merchandise Authorization (RMA) number before shipping the product. Be prepared to provide the model number, serial number, and a brief description of the cause for the return.

You must send the merchandise prepaid, in its original box, and with its original packing and accessories. Chauvet will not issue call tags.

Clearly label the package with the RMA number. Chauvet will refuse any product returned without an RMA number.



DO NOT write the RMA number directly on the box. Instead, write it on a properly affixed label.

Before sending the product, clearly write the following information on a piece of paper and place it inside the box:

- Your name
- Your address
- Your phone number
- RMA number
- A brief description of the problem

Be sure to pack the product properly. Any shipping damage resulting from inadequate packaging will be your responsibility. FedEx packing or double-boxing are recommended.



Chauvet reserves the right to use its own discretion to repair or replace returned product(s).

CONTACT US

WORLD HEADQUARTERS - Chauvet

General Information

Address: 5200 NW 108th Avenue
Sunrise, FL 33351
Voice: (954) 577-4455
Fax: (954) 929-5560
Toll free: (800) 762-1084

Technical Support

Voice: (954) 577-4455 (Press 4)
Fax: (954) 756-8015
Email: tech@chauvetlighting.com

World Wide Web www.chauvetlighting.com

UNITED KINGDOM AND IRELAND - Chauvet Europe Ltd.

General Information

Address: Unit 1C
Brookhill Road Industrial Estate
Pinxton, Nottingham, UK
NG16 6NT
Voice: +44 (0)1773 511115
Fax: +44 (0)1773 511110

Technical Support

Email: uktech@chauvetlighting.com

World Wide Web www.chauvetlighting.co.uk

MEXICO - Chauvet Mexico

General Information

Address: Av. Santa Ana 30
Parque Industrial Lerma
Lerma, Mexico C.P. 52000
Voice: +52 (728) 285-5000

Technical Support

Email: servicio@chauvet.com.mx

World Wide Web www.chauvet.com.mx

Outside the U.S., United Kingdom, Ireland, or Mexico, contact the dealer of record and follow their instructions to request support or to return a product. Visit the Chauvet website for contact information.