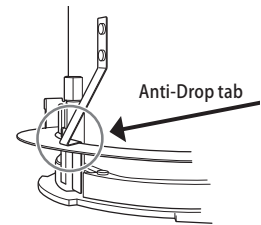


Features

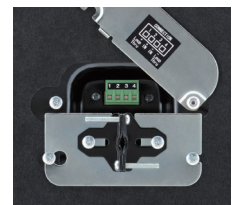
A versatile line-up for clear consistent sound.

- Series offers three different woofer sizes in either black or white.
- Features newly customized transducers for superb music reproduction as well as crystal clear announcements.
- Designed with optimized bass-reflex tuning to offer a firm, tight low-end.
- Equipped with internal transformers that allow both high and low impedance drive, which can be selected by simply switching the tap on the baffle.
- Anti-Drop tab allows the speakers to be mounted temporarily in the ceiling for improved safety and ease of installation.
- A flexible carrying band makes the speakers very portable and allows carrying multiple speakers at once.
- Comes complete with O-rings and tile rails for safer and smoother installation.
- Overload protection circuit provided to protect speaker components.
- Comes with paintable speaker grilles for flexible design ideas.
- Supported by the dedicated software CISSCA (Commercial Installation Solutions Speaker Calculator).



General Specifications

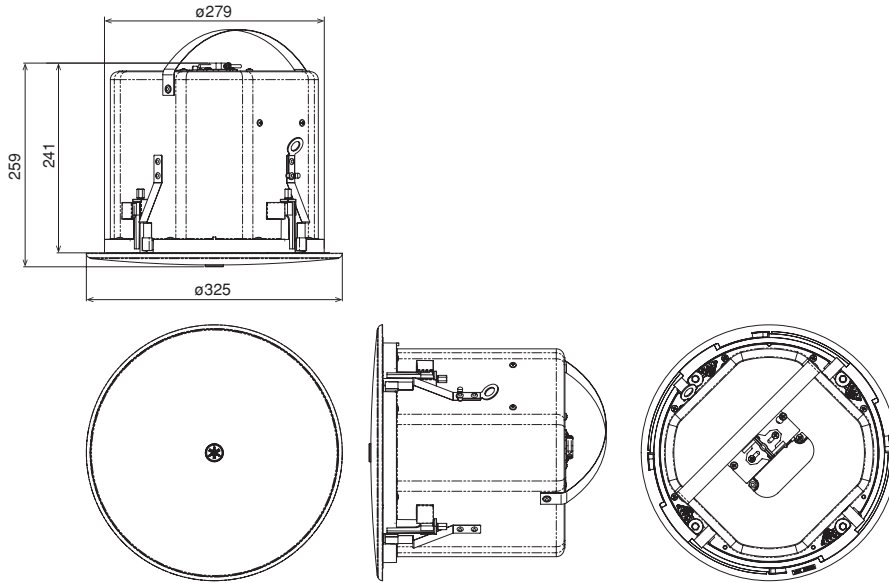
Model	VXC8 / VXC8W	
Speaker Type	2-way, Coaxial type, Acoustic Suspension	
Components	LF	8" Cone
	HF	1" Soft dome
Coverage Angle ^{*1}	100° conical	
Nominal Impedance	8Ω	
Power Rating ^{*2}	NOISE	90W
	PGM	180W
Sensitivity ^{*3} (1W,1m)	90dB SPL	
Maximum SPL (Calculated, 1m)	116dB SPL	
Frequency Range ^{*3}	-10dB	55Hz - 20kHz
Connectors	1x Euroblock (4P) (Input: + / -, Loop Thru: + / -)	
Transformer Taps	70V	60W (83Ω), 30W (170Ω), 15W (330Ω), 7.5W (670Ω)
	100V	60W (170Ω), 30W (330Ω), 15W (670Ω)
Color (Grille)	VXC8: Black / VXC8W: White	
Dimensions (Diameter x D)	Ø325 x 259mm (Ø12.8" x 10.2")	
Weight	6.6kg (14.5lbs)	
Required Ceiling Thickness	5 - 35mm	
Ceiling Cutout Hole Diameter	285mm	
Included accessories	O-ring, Tile Rail, Cutout Template, Screws, Owner's Manual	



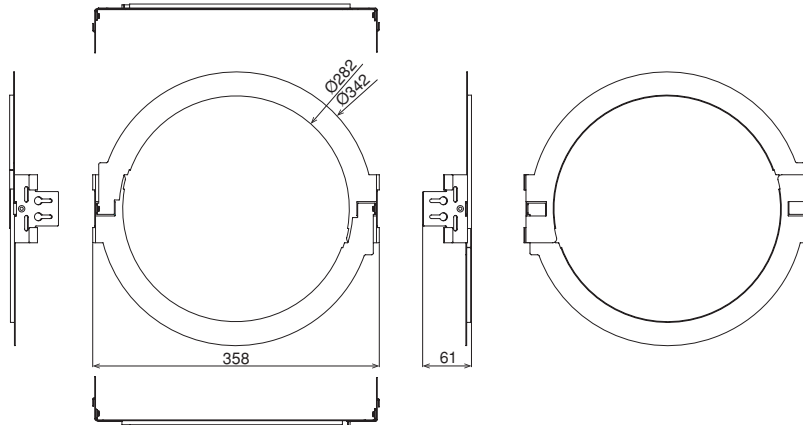
*1 500Hz - 4kHz *2 IEC *3 Half space

■ Dimensions

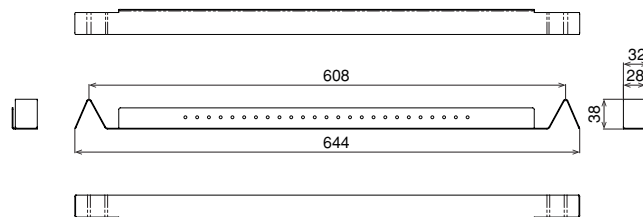
Unit: mm



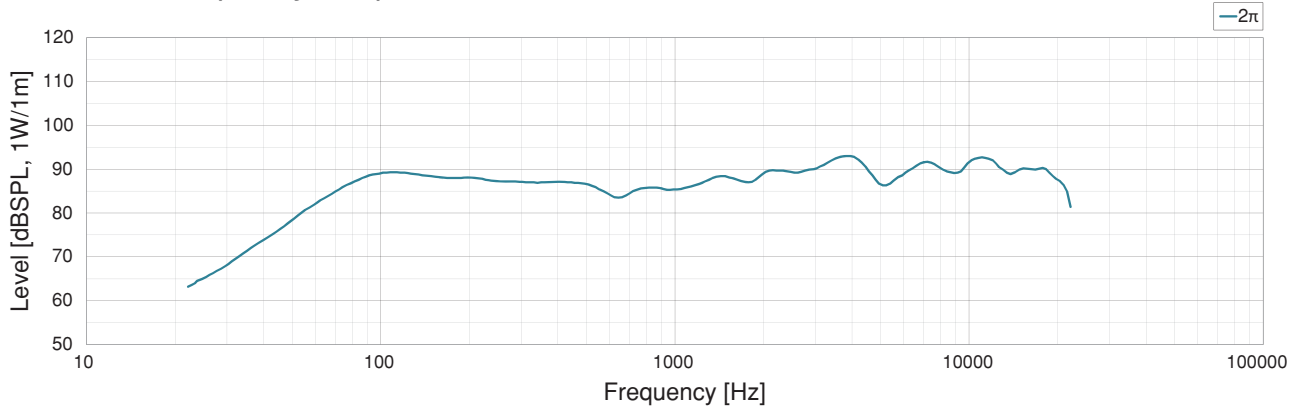
O-ring



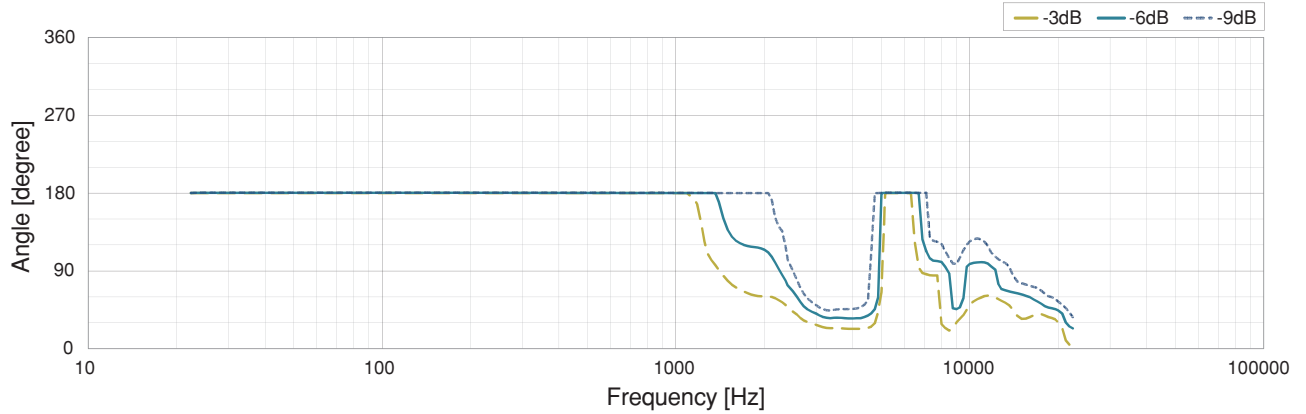
Tile Rail



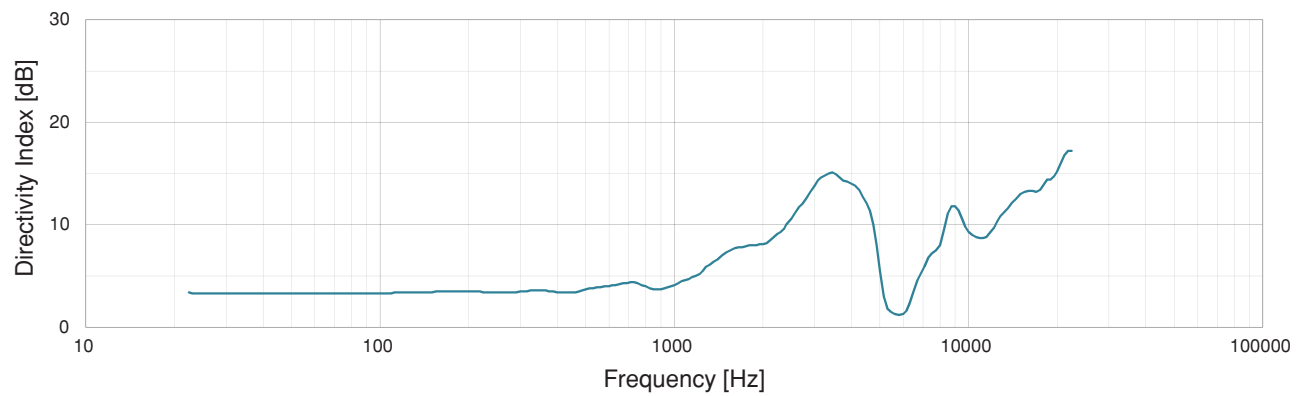
On-axis Frequency Response



Beamwidth



Directivity Index



Polar Plots

